

## LMS8117A 1-A Low-Dropout Linear Regulator

### 1 Features

- Available in 1.8-V, 3.3-V, and Adjustable Versions
- Space-Saving SOT-223 and TO-252 Packages
- Current Limiting and Thermal Protection
- Output Current: 1 A
- Temperature Range: 0°C to 125°C
- Line Regulation: 0.2% (Maximum)
- Load Regulation: 0.4% (Maximum)

### 2 Applications

- Post Regulator for Switching DC-DC Converters
- High Efficiency Linear Regulators
- Battery Chargers
- Battery-Powered Instrumentation

### 3 Description

The LMS8117A device is a series of low-dropout voltage regulators with a dropout of 1.2 V at 1 A of load current. The device has the same pinout as the LM317.

The LMS8117A is available in an adjustable version, which can set the output voltage from 1.27 V to 13.8 V with only two external resistors. In addition, the device is also available in two fixed voltages, 1.8 V and 3.3 V.

The LMS8117A offers current limiting and thermal shutdown. The device circuit includes a Zener trimmed band-gap reference to assure output voltage accuracy to within  $\pm 1\%$ .

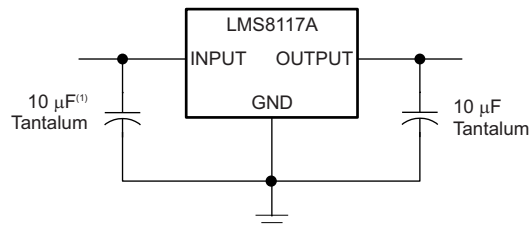
The LMS8117A is available in SOT-223 and TO-252 D-PAK packages. A 10- $\mu\text{F}$  (minimum) tantalum capacitor is required at the output to improve the transient response and stability.

#### Device Information<sup>(1)</sup>

PART NUMBER	PACKAGE	BODY SIZE (NOM)
LMS8117A	SOT-223 (4)	3.50 mm x 6.50 mm
	TO-252 (3)	6.10 mm x 6.58 mm

(1) For all available packages, see the orderable addendum at the end of the data sheet.

#### Functional Block Diagram



Copyright © 2016, Texas Instruments Incorporated



## Table of Contents

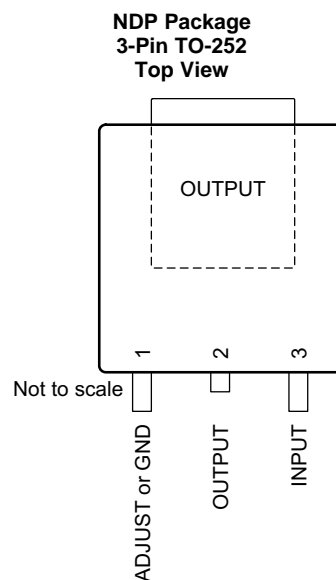
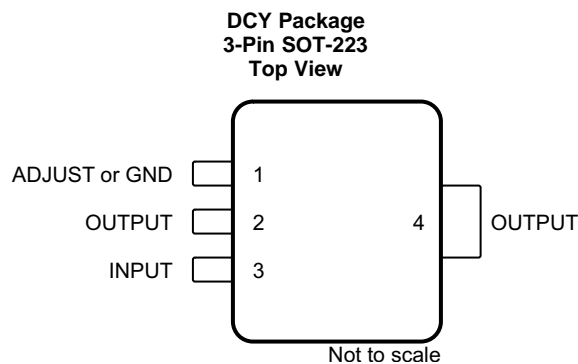
<b>1 Features</b> ..... 1 <b>2 Applications</b> ..... 1 <b>3 Description</b> ..... 1 <b>4 Revision History</b> ..... 2 <b>5 Pin Configuration and Functions</b> ..... 3 <b>6 Specifications</b> ..... 3 6.1 Absolute Maximum Ratings ..... 3 6.2 ESD Ratings..... 3 6.3 Recommended Operating Conditions ..... 4 6.4 Thermal Information ..... 4 6.5 Electrical Characteristics..... 4 6.6 Typical Characteristics ..... 5 <b>7 Detailed Description</b> ..... 7 7.1 Overview ..... 7 7.2 Functional Block Diagram ..... 7 7.3 Feature Description..... 7 7.4 Device Functional Modes..... 8	<b>8 Application and Implementation</b> ..... 9 8.1 Application Information..... 9 8.2 Typical Applications ..... 9 <b>9 Power Supply Recommendations</b> ..... 13 <b>10 Layout</b> ..... 14 10.1 Layout Guidelines ..... 14 10.2 Layout Example ..... 14 10.3 Thermal Considerations ..... 15 <b>11 Device and Documentation Support</b> ..... 19 11.1 Documentation Support ..... 19 11.2 Receiving Notification of Documentation Updates ..... 19 11.3 Community Resources..... 19 11.4 Trademarks ..... 19 11.5 Electrostatic Discharge Caution..... 19 11.6 Glossary ..... 19 <b>12 Mechanical, Packaging, and Orderable Information</b> ..... 19
--	---

## 4 Revision History

NOTE: Page numbers for previous revisions may differ from page numbers in the current version.

Changes from Revision E (April 2005) to Revision F	Page
• Added <i>Device Information</i> table, <i>Pin Configuration and Functions</i> section, <i>Specifications</i> section, <i>ESD Ratings</i> table, <i>Recommended Operating Conditions</i> table, <i>Detailed Description</i> section, <i>Application and Implementation</i> section, <i>Power Supply Recommendations</i> section, <i>Layout</i> section, <i>Device and Documentation Support</i> section, and <i>Mechanical, Packaging, and Orderable Information</i> section .....	1
• Deleted <i>Ordering Information</i> table; see <i>Package Option Addendum</i> at the end of the data sheet.....	1
• Deleted Soldering information from <i>Absolute Maximum Ratings</i> table .....	3
• Added <i>Thermal Information</i> table .....	4
• Changed Junction-to-ambient, $R_{\theta JA}$ , values in <i>Thermal Information</i> table From: 136°C/W To: 61.4°C/W (SOT-223) and From: 92°C/W To: 56.1°C/W(TO-252) .....	4
• Changed Junction-to-case, $R_{\theta JC(top)}$ , values in <i>Thermal Information</i> table From: 15°C/W To: 43°C/W (SOT-223) and From: 10°C/W To: 42.8°C/W (TO-252) .....	4
• Deleted duplicate paragraph from <i>Output Voltage</i> section.....	10

## 5 Pin Configuration and Functions



### Pin Functions

PIN			I/O	DESCRIPTION
NAME	SOT-223	TO-252		
ADJUST or GND	1	1	—	Adjust pin for adjustable output version. Ground pin for fixed output versions.
INPUT	3	3	I	Input voltage ( $V_I$ ) pin for the regulator.
OUTPUT	2, Tab (4)	2, Tab	O	Output voltage ( $V_O$ ) pin for the regulator.

## 6 Specifications

### 6.1 Absolute Maximum Ratings

over operating free-air temperature range (unless otherwise noted)<sup>(1)(2)</sup>

	MIN	MAX	UNIT
Maximum input voltage (all versions), $V_{IN}$		20	V
Power dissipation <sup>(3)</sup>	Internally limited		
Junction temperature, $T_{J(MAX)}$		150	°C
Storage temperature, $T_{stg}$	–65	150	°C

- Stresses beyond those listed under *Absolute Maximum Ratings* may cause permanent damage to the device. These are stress ratings only, which do not imply functional operation of the device at these or any other conditions beyond those indicated under *Recommended Operating Conditions*. Exposure to absolute-maximum-rated conditions for extended periods may affect device reliability.
- If Military/Aerospace specified devices are required, please contact the Texas Instruments Sales Office/Distributors for availability and specifications.
- The maximum power dissipation is a function of  $T_{J(MAX)}$ ,  $R_{\theta JA}$ , and  $T_A$ . The maximum allowable power dissipation at any ambient temperature is  $P_D = (T_{J(MAX)} - T_A) / R_{\theta JA}$ . All numbers apply for packages soldered directly onto a PCB.

### 6.2 ESD Ratings

	VALUE	UNIT
$V_{(ESD)}$ Electrostatic discharge Human-body model (HBM), per ANSI/ESDA/JEDEC JS-001 <sup>(1)(2)</sup>	±2000	V

- JEDEC document JEP155 states that 500-V HBM allows safe manufacturing with a standard ESD control process.
- For testing purposes, ESD was applied using human body model, 1.5-k $\Omega$  resistor in series with 100-pF capacitor.

### 6.3 Recommended Operating Conditions

over operating free-air temperature range (unless otherwise noted)

	MIN	MAX	UNIT
Input voltage (all versions)		15	V
Junction temperature, $T_J$	0	125	°C

### 6.4 Thermal Information

THERMAL METRIC <sup>(1)</sup>		LMS8117A		UNIT
		DCY (SOT-223)	NDP (TO-252)	
		4 PINS	3 PINS	
$R_{\theta JA}$	Junction-to-ambient thermal resistance	61.4	56.1	°C/W
$R_{\theta JC(top)}$	Junction-to-case (top) thermal resistance	43	42.8	°C/W
$R_{\theta JB}$	Junction-to-board thermal resistance	10	29.4	°C/W
$\Psi_{JT}$	Junction-to-top characterization parameter	2.4	5.4	°C/W
$\Psi_{JB}$	Junction-to-board characterization parameter	9.9	28.9	°C/W
$R_{\theta JC(bot)}$	Junction-to-case (bottom) thermal resistance	—	4.1	°C/W

(1) For more information about traditional and new thermal metrics, see the [Semiconductor and IC Package Thermal Metrics](#) application report.

### 6.5 Electrical Characteristics

Typical values apply for  $T_J = 25^\circ\text{C}$  and Minimum and Maximum limits apply for  $T_J = 0^\circ\text{C}$  to  $125^\circ\text{C}$  (unless otherwise noted). Typical values represent the most likely parametric norm. All limits are guaranteed using by testing or statistical analysis.

PARAMETER		TEST CONDITIONS		MIN	TYP	MAX	UNIT
$V_{REF}$	Reference voltage	Adjustable version	$I_{OUT} = 10\text{ mA}$ , $V_{IN} - V_{OUT} = 2\text{ V}$ , $T_J = 25^\circ\text{C}$	1.238	1.25	1.262	V
			$I_{OUT} = 10\text{ mA}$ to $1\text{ A}$ , $V_{IN} - V_{OUT} = 1.4\text{ V}$ to $10\text{ V}$	1.225		1.27	
$V_{OUT}$	Output voltage	1.8-V version	$I_{OUT} = 10\text{ mA}$ , $V_{IN} = 3.8\text{ V}$ , $T_J = 25^\circ\text{C}$	1.782	1.8	1.818	V
			$I_{OUT} = 0\text{ A}$ to $1\text{ A}$ , $V_{IN} = 3.2\text{ V}$ to $10\text{ V}$	1.746		1.854	
		3.3-V version	$I_{OUT} = 10\text{ mA}$ , $V_{IN} = 5\text{ V}$ , $T_J = 25^\circ\text{C}$	3.267	3.3	3.333	
			$I_{OUT} = 0\text{ A}$ to $1\text{ A}$ , $V_{IN} = 4.75\text{ V}$ to $10\text{ V}$	3.235		3.365	
$\Delta V_{OUT}$	Line regulation <sup>(1)</sup>	Adjustable version, $I_{OUT} = 10\text{ mA}$ , $V_{IN} - V_{OUT} = 1.5\text{ V}$ to $13.75\text{ V}$			0.035%	0.2%	mV
		1.8-V version, $I_{OUT} = 0\text{ mA}$ , $V_{IN} = 3.2\text{ V}$ to $10\text{ V}$			1	6	
		3.3-V version, $I_{OUT} = 0\text{ mA}$ , $V_{IN} = 4.75\text{ V}$ to $15\text{ V}$			1	6	
	Load regulation <sup>(1)</sup>	Adjustable version, $I_{OUT} = 10\text{ mA}$ to $1\text{ A}$ , $V_{IN} - V_{OUT} = 3\text{ V}$			0.2%	0.4%	mV
		1.8-V version, $I_{OUT} = 0\text{ mA}$ to $1\text{ A}$ , $V_{IN} = 3.2\text{ V}$			1	10	
		3.3-V version, $I_{OUT} = 0\text{ mA}$ to $1\text{ A}$ , $V_{IN} = 4.75\text{ V}$			1	10	
$V_{IN} - V_{OUT}$	Dropout voltage <sup>(2)</sup>	$I_{OUT} = 100\text{ mA}$			1.1	1.15	V
		$I_{OUT} = 500\text{ mA}$			1.15	1.2	
		$I_{OUT} = 1\text{ A}$			1.1	1.25	
$I_{LIMIT}$	Current limit	$V_{IN} - V_{OUT} = 5\text{ V}$ , $T_J = 25^\circ\text{C}$		1	1.4	1.9	A
	Minimum load current <sup>(3)</sup>	Adjustable version, $V_{IN} = 15\text{ V}$			1.7	5	mA
	Quiescent current	1.8-V and 3.3-V versions, $V_{IN} \leq 15\text{ V}$			5	10	mA
	Thermal regulation	30-ms pulse, $T_A = 25^\circ\text{C}$			0.01%	0.1%	W
	Ripple regulation	$f_{RIPPLE} = 120\text{ Hz}$ , $V_{IN} - V_{OUT} = 3\text{ V}$ , $V_{RIPPLE} = 1\text{ V}_{PP}$		60	75		dB
	ADJUST pin current				60	120	$\mu\text{A}$
	ADJUST pin current change	$I_{OUT} = 10\text{ mA}$ to $1\text{ A}$ , $V_{IN} - V_{OUT} = 1.4\text{ V}$ to $10\text{ V}$			0.2	5	$\mu\text{A}$
	Temperature stability				0.5%		
	Long term stability	1000 hrs, $T_A = 125^\circ\text{C}$			0.3%		
	RMS output noise	Percentage of $V_{OUT}$ , $f = 10\text{ Hz}$ to $10\text{ kHz}$			0.003%		

(1) Line and load regulation are measured at constant junction room temperature.

(2) The dropout voltage is the input and output differential at which the circuit ceases to regulate against further reduction in input voltage. It is measured when the output voltage drops 100 mV from the nominal value obtained by  $V_{IN} = V_{OUT} + 1.5\text{ V}$ .

(3) The minimum output current required to maintain regulation.

### 6.6 Typical Characteristics

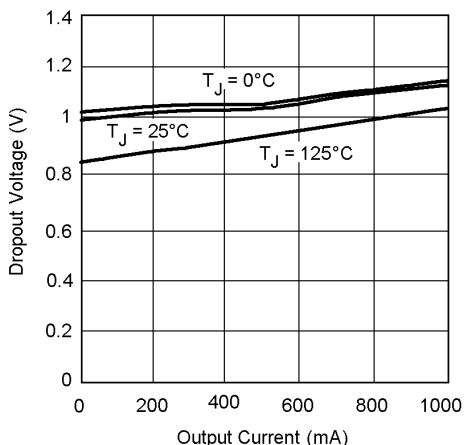


Figure 1. Dropout Voltage

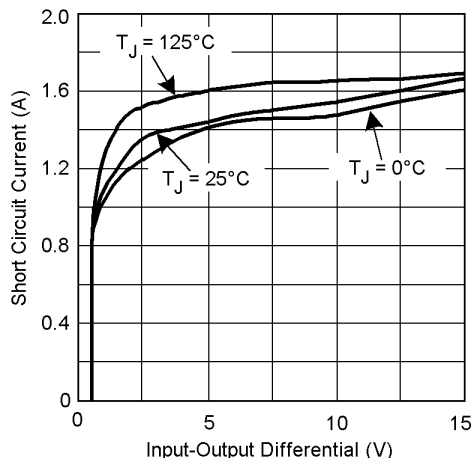


Figure 2. Short-Circuit Current

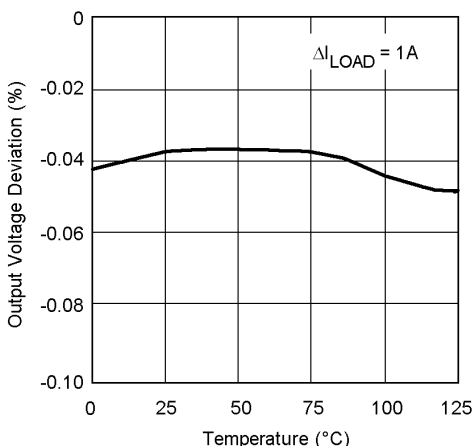


Figure 3. Load Regulation

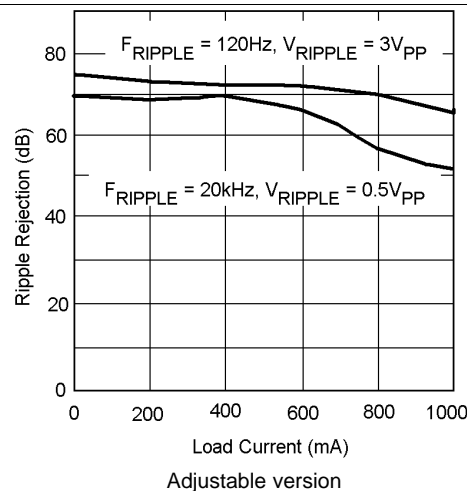


Figure 4. Ripple Regulation vs Current

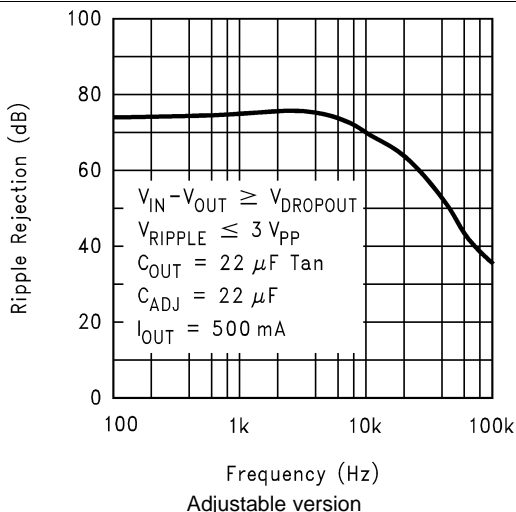


Figure 5. Ripple Rejection

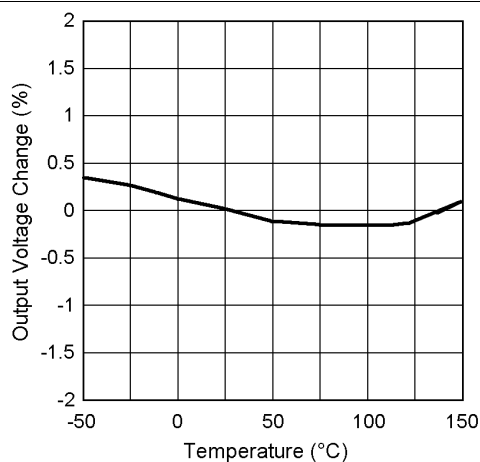
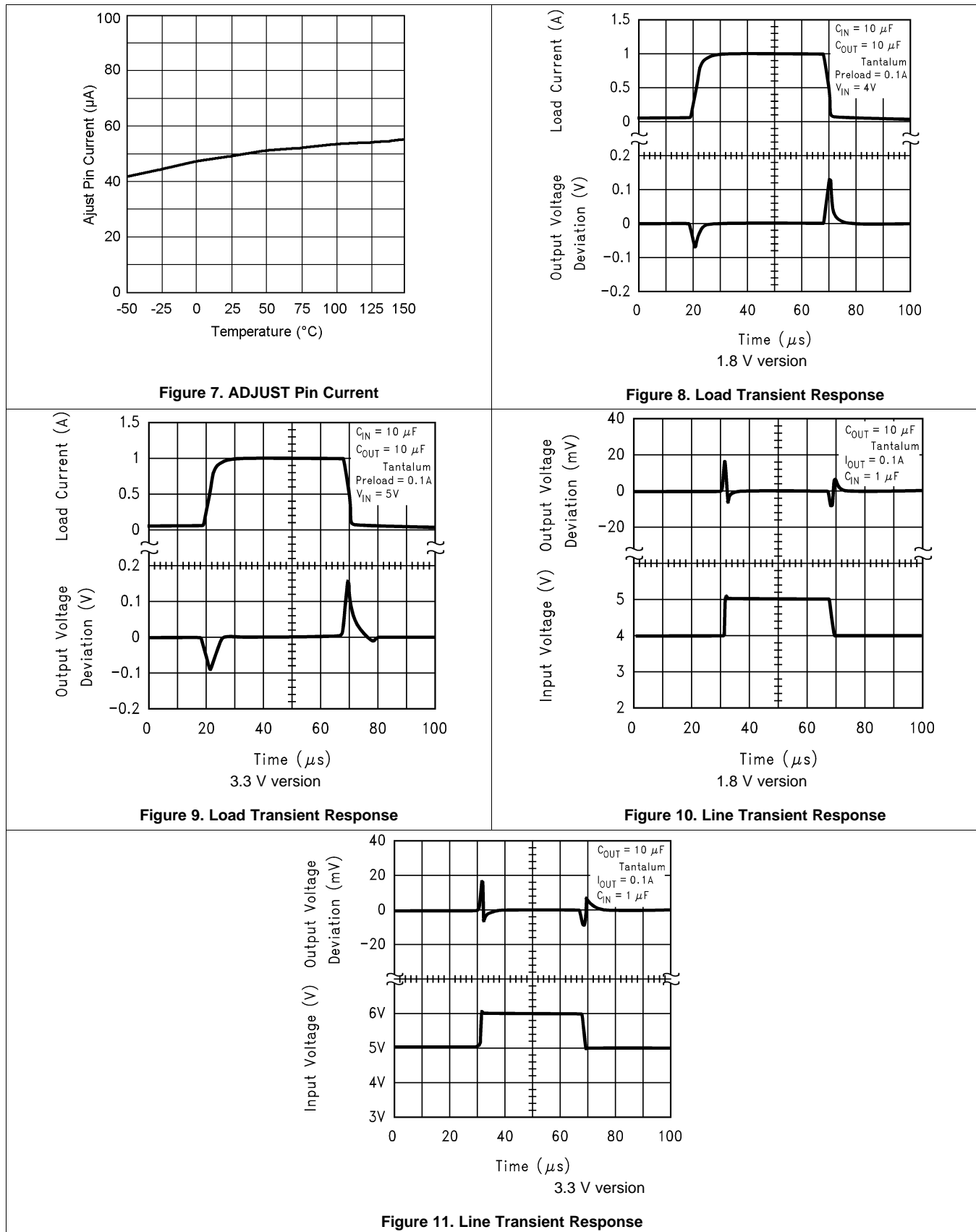


Figure 6. Temperature Stability

Typical Characteristics (continued)



## 7 Detailed Description

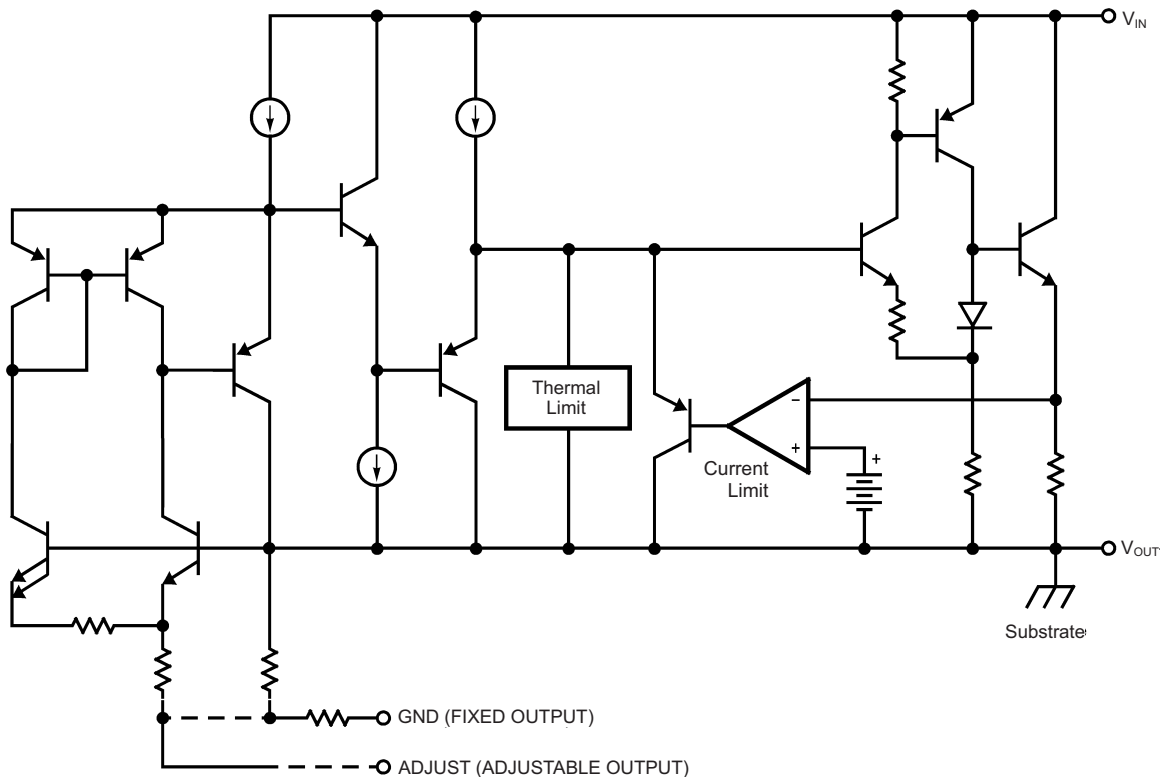
### 7.1 Overview

The LMS8117A device is a positive-voltage regulator available in 1.8-V, 3.3-V, and adjustable versions. For the adjustable version, the output voltage ranges from 1.25 V to 13.8 V and is set with only two external resistors. This device is capable of supplying up to 1-A output current for an input voltage up to 15 V.

Because this device has a low-dropout voltage of 1.25 V over a junction temperature from 0°C to 125°C, the input voltage can be as low as 2.5 V for proper regulation over the entire temperature range. The LMS8117A also features current limiting and thermal overload protection to help protect the device and is available in the space-saving SOT-223 and TO-252 packages.

The LMS8117A device is versatile in its applications, including uses in programmable output regulation and local on-card regulation. Or, by connecting a fixed resistor between the ADJUST and OUTPUT pins, the device can function as a precision current regulator. An optional output capacitor can be added to improve transient response. The ADJUST pin can be bypassed to achieve very high ripple-rejection ratios, which are difficult to achieve with standard regulators.

### 7.2 Functional Block Diagram



Copyright © 2016, Texas Instruments Incorporated

### 7.3 Feature Description

#### 7.3.1 Protection

This device provides current limiting and thermal protection to protect the device against overload or damage from operating in excessive heat.

## Feature Description (continued)

### 7.3.2 Programmable Feedback

The ADJUST pin for adjustable versions provide easy output voltage or current (not both) programming. For current regulation applications, a single resistor whose resistance value is  $1.25 \text{ V}/I_O$  and power rating is greater than  $(1.25 \text{ V})^2/R$  must be used. For voltage regulation applications, two resistors set the output voltage.

## 7.4 Device Functional Modes

### 7.4.1 Normal Operation

For the adjustable version, the OUTPUT pin sources current as necessary to make  $V_{OUT}$  1.25 V greater than  $V_{REF}$  to provide output regulation. For the fixed version, the OUTPUT pin sources current as necessary to make  $V_{OUT}$  greater than the GND pin voltage by the specific fixed voltage (version dependent) to provide output regulation.

### 7.4.2 Operation With Low Input Voltage

The device requires up to 1.25-V headroom ( $V_{IN} - V_{OUT}$ ) to operate in regulation. With less headroom, the device may dropout and OUTPUT voltage is equal to INPUT voltage minus the dropout voltage.

### 7.4.3 Operation at Light Loads

The device passes its bias current to the OUTPUT pin. The load or feedback must consume this minimum current for regulation or the output may be too high.

### 7.4.4 Operation in Self Protection

When an overload occurs the device will shut down or reduce the output current to prevent device damage. The device will automatically reset from the overload. The output may be reduced or alternate between ON and OFF states until the overload is removed.



## 8 Application and Implementation

### NOTE

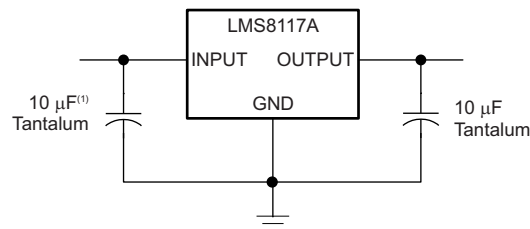
Information in the following applications sections is not part of the TI component specification, and TI does not warrant its accuracy or completeness. TI's customers are responsible for determining suitability of components for their purposes. Customers should validate and test their design implementation to confirm system functionality.

### 8.1 Application Information

The LMS8117A is a versatile and high-performance linear regulator with a wide temperature range and tight line and load regulation operation. An output capacitor is required to further improve transient response and stability. For the adjustable version, the ADJUST pin can also be bypassed to achieve very high ripple-rejection ratios. The LMS8117A is versatile in its applications, including uses as a post regulator for DC-DC converters, batter chargers, and microprocessor supplies.

### 8.2 Typical Applications

#### 8.2.1 Output Regulator



Copyright © 2016, Texas Instruments Incorporated

(1) Required if the regulator is placed far from the power supply filter.

**Figure 12. Fixed Output Regulator**

#### 8.2.1.1 Design Requirements

The device component count is very minimal, employing two resistors as part of a voltage divider circuit for the adjustable version and an output capacitor for load regulation. A 10-µF tantalum capacitor on the input is suitable for almost all applications and is required if the regulator is located far from the power-supply filter. An optional bypass capacitor across R2 can also be used to improve PSRR.

#### 8.2.1.2 Detailed Design Procedure

##### 8.2.1.2.1 External Capacitors and Stability

##### 8.2.1.2.1.1 Input Bypass Capacitor

TI recommends an input capacitor. A 10-µF tantalum on the input is a suitable input bypassing for almost all applications.

##### 8.2.1.2.1.2 ADJUST Pin Bypass Capacitor

The ADJUST pin can be bypassed to ground with a bypass capacitor ( $C_{ADJ}$ ) to improve ripple rejection. This bypass capacitor prevents ripple from being amplified as the output voltage is increased. At any ripple frequency, the impedance of the  $C_{ADJ}$  must be less than R1 to prevent the ripple from being amplified in [Equation 1](#).

$$1 / (2 \times \pi \times f_{RIPPLE} \times C_{ADJ}) < R1 \quad (1)$$

The R1 is the resistor between the OUTPUT and the ADJUST pins. Its value is normally from 100 Ω to 200 Ω. For example, with R1 = 124 Ω and  $f_{RIPPLE}$  = 120 Hz, the  $C_{ADJ}$  must be > 11 µF.

## Typical Applications (continued)

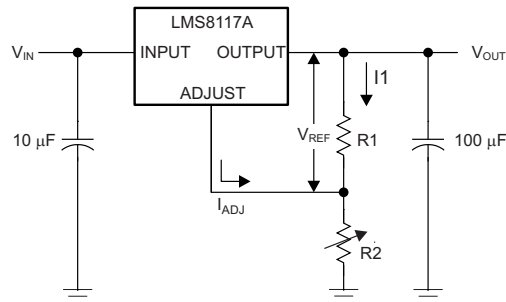
### 8.2.1.2.1.3 Output Capacitor

The output capacitor is critical in maintaining regulator stability, and must meet the required conditions for both minimum amount of capacitance and ESR (Equivalent Series Resistance). The minimum output capacitance required by the LMS8117A is 10  $\mu\text{F}$ , if a tantalum capacitor is used. Any increase of the output capacitance merely improves the loop stability and transient response. The ESR of the output capacitor must be greater than 0.5  $\Omega$  and less than 5  $\Omega$ . In the case of the adjustable regulator, when the  $C_{\text{ADJ}}$  is used, a larger output capacitance (22- $\mu\text{F}$  tantalum) is required.

### 8.2.1.2.2 Output Voltage

The LMS8117A adjustable version develops a 1.25-V reference voltage ( $V_{\text{REF}}$ ) between the OUTPUT and the ADJUST pins. As shown in Figure 13, this voltage is applied across resistor R1 to generate a constant current I1. The current  $I_{\text{ADJ}}$  from the ADJUST pin could introduce error to the output. Because it is very small (60  $\mu\text{A}$ ) compared with the I1 and very constant with line and load changes, the error can be ignored. The constant current I1 then flows through the output set resistor R2 and sets the output voltage to the desired level.

For fixed voltage devices, R1 and R2 are integrated inside the devices.



Copyright © 2016, Texas Instruments Incorporated

Figure 13. Basic Adjustable Regulator

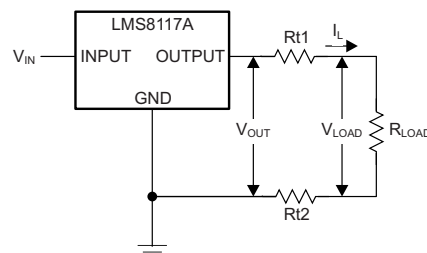
$V_{\text{OUT}}$  is calculated using Equation 2.  $I_{\text{ADJ}}$  is typically 60  $\mu\text{A}$  and negligible in most applications.

$$V_{\text{OUT}} = V_{\text{REF}} \times (1 + R2 / R1) + (I_{\text{ADJ}} \times R2) \tag{2}$$

### 8.2.1.2.3 Load Regulation

The LMS8117A regulates the voltage that appears between its OUTPUT and GROUND pins, or between its OUTPUT and ADJUST pins. In some cases, line resistances can introduce errors to the voltage across the load. To obtain the best load regulation, a few precautions are required.

Figure 14 shows a typical application using a fixed output regulator. The  $R_{\text{T}1}$  and  $R_{\text{T}2}$  are the line resistances. It is obvious that the  $V_{\text{LOAD}}$  is less than the  $V_{\text{OUT}}$  by the sum of the voltage drops along the line resistances (as seen in Equation 3). In this case, the load regulation seen at the  $R_{\text{LOAD}}$  would be degraded from the data sheet specification. To improve this, the load must be tied directly to the OUTPUT pin on the positive side and directly tied to the GROUND pin on the negative side.



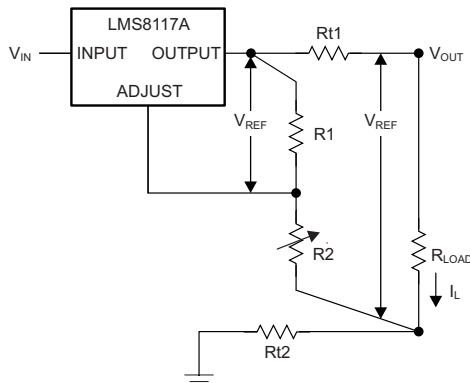
Copyright © 2016, Texas Instruments Incorporated

Figure 14. Basic Fixed Output Regulator

$$V_{\text{LOAD}} = V_{\text{OUT}} - I_{\text{L}} \times (R_{\text{T}1} + R_{\text{T}2}) \tag{3}$$

### Typical Applications (continued)

When the adjustable regulator is used (Figure 15), the best performance is obtained with the positive side of the resistor R1 tied directly to the OUTPUT pin of the regulator rather than near the load (as seen in Equation 4). This eliminates line drops from appearing effectively in series with the reference and degrading regulation. For example, a 5-V regulator with 0.05-Ω resistance between the regulator and load has a load regulation due to line resistance of 0.05 Ω × I<sub>L</sub>. If R1 (125 Ω) is connected near the load, the effective line resistance is 0.05 Ω (1 + R2 / R1) or in this case, it is 4 times worse. In addition, the ground side of the resistor R2 can be returned near the ground of the load to provide remote ground sensing and improve load regulation.



Copyright © 2016, Texas Instruments Incorporated

Figure 15. Best Load Regulation Using Adjustable Output Regulator

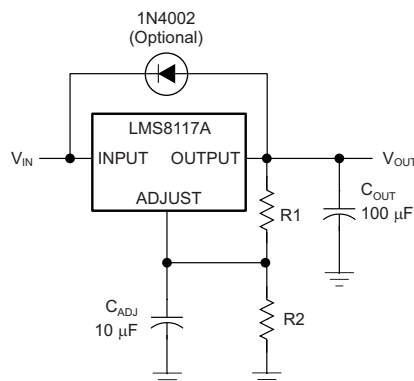
$$V_{LOAD} = V_{REF} \times (R1 + R2) / R1 - (I_L \times R_T1) \tag{4}$$

#### 8.2.1.2.4 Protection Diodes

Under normal operation, the LMS8117A regulators do not require any protection diode. With the adjustable device, the internal resistance between the ADJUST and OUTPUT pins limit the current. No diode is required to divert the current around the regulator even with capacitor on the ADJUST pin. The ADJUST pin can take a transient signal of ±25 V with respect to the output voltage without damaging the device.

When a output capacitor is connected to a regulator and the input is shorted to ground, the output capacitor discharges into the output of the regulator. The discharge current depends on the value of the capacitor, the output voltage of the regulator, and rate of decrease of V<sub>IN</sub>. In the LMS8117A regulators, the internal diode between the OUTPUT and INPUT pins can withstand microsecond surge currents of 10 A to 20 A. With an extremely large output capacitor (≥1000 μF), and with input instantaneously shorted to ground, the regulator could be damaged.

In this case, TI recommends an external diode between the OUTPUT and INPUT pins to protect the regulator, as shown in Figure 16.



Copyright © 2016, Texas Instruments Incorporated

Figure 16. Regulator With Protection Diode

Typical Applications (continued)

8.2.1.3 Application Curves

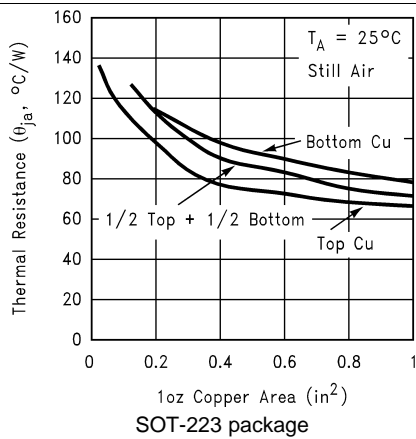


Figure 17.  $R_{\theta JA}$  vs 1-oz Copper Area

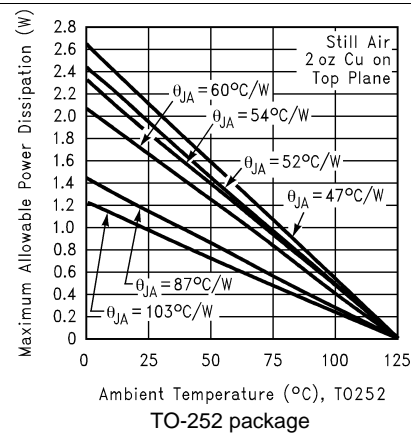


Figure 18.  $R_{\theta JA}$  vs 2-oz Copper Area

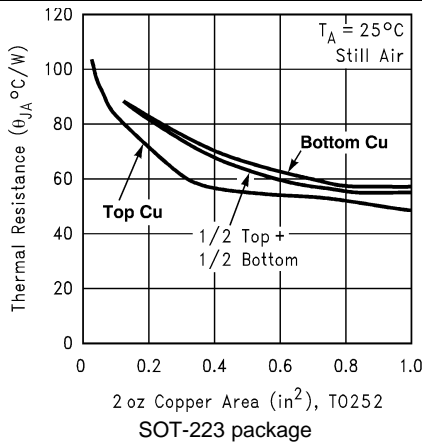


Figure 19. Maximum Allowable Power Dissipation vs Ambient Temperature

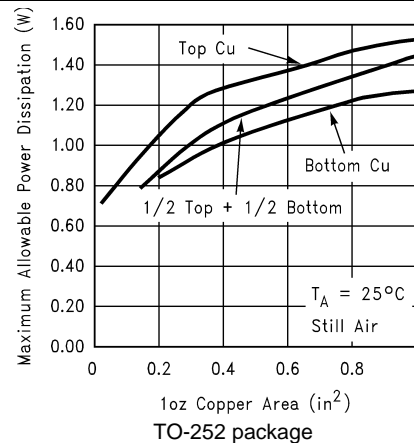


Figure 20. Maximum Allowable Power Dissipation vs Ambient Temperature

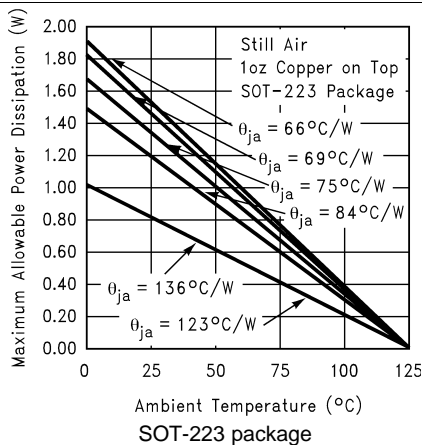


Figure 21. Maximum Allowable Power Dissipation vs 1-oz Copper Area

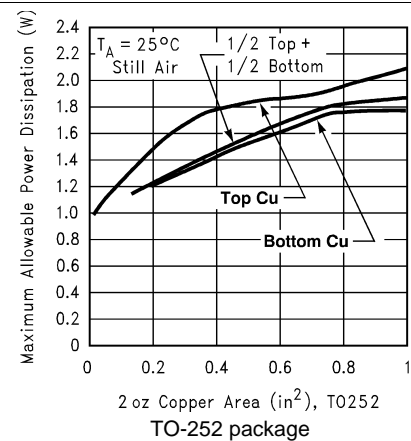
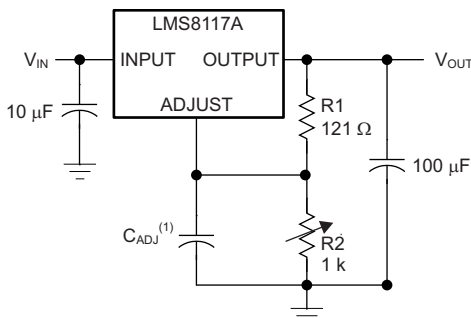


Figure 22. Maximum Allowable Power Dissipation vs 2-oz Copper Area

## Typical Applications (continued)

### 8.2.2 Other Application Circuits

Figure 23 and Figure 24 show application circuit examples using the LMS8117A devices. Customers must fully validate and test any circuit before implementing a design based on an example in this section. Unless otherwise noted, the design procedures in [Output Regulator](#) are applicable.



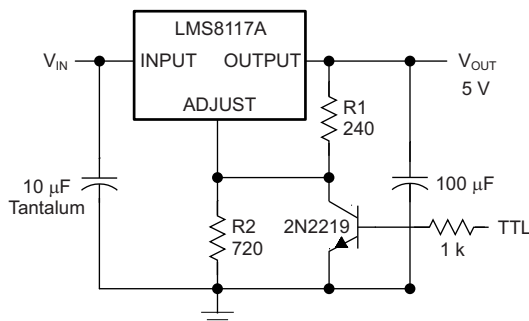
Copyright © 2016, Texas Instruments Incorporated

(1)  $C_{ADJ}$  is optional, however it will improve ripple rejection.

**Figure 23. 1.25-V to 10-V Adjustable Regulator With Improved Ripple Rejection**

$$V_{OUT} = 1.25 \times (1 + R2 / R1)$$

(5)



Copyright © 2016, Texas Instruments Incorporated

(1) Minimum output is approximately 1.25 V.

**Figure 24. 5-V Logic Regulator With Electronic Shutdown**

## 9 Power Supply Recommendations

The input supply to the LMS8117A must be kept at a voltage level such that its maximum rating is not exceeded. The minimum dropout voltage must also be met, with extra headroom when possible, to keep the device in regulation. TI recommends an input capacitor; see [External Capacitors and Stability](#) for more information on capacitor selection.

## 10 Layout

### 10.1 Layout Guidelines

- TI recommends bypassing the input pin to ground with a bypass capacitor.
- The optimum placement of the bypass capacitor is as close as possible to the input pin and the system ground. Take care to minimize the loop area formed by the bypass capacitor connection, the input pin, and the system GND.
- TI recommends using wide trace lengths to eliminate  $I \times R$  drop and heat dissipation.

### 10.2 Layout Example

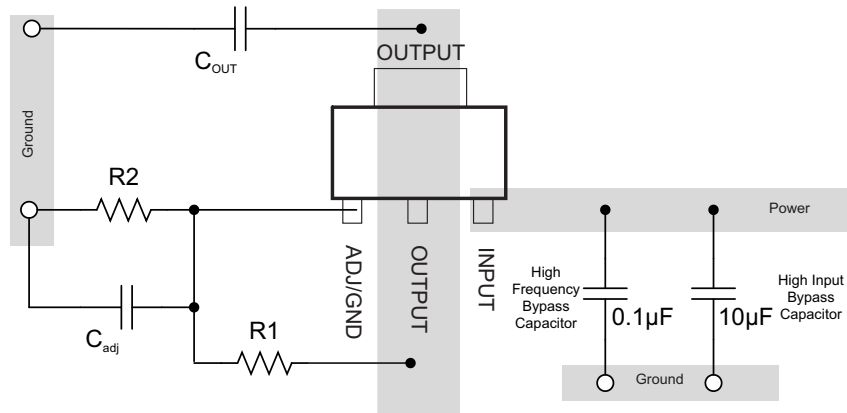


Figure 25. SOT-223 Layout Example for LMS8117A Adjustable Version (Schematic View)

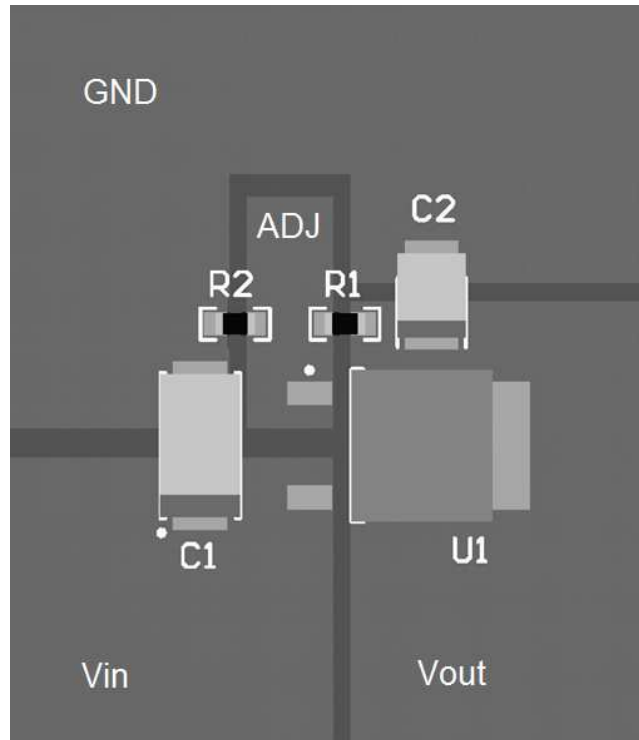


Figure 26. TO-252 Layout Example for LMS8117A Adjustable Version (PCB View)

## 10.3 Thermal Considerations

### 10.3.1 Heat Sink Requirements

When an integrated circuit operates with an appreciable current, its junction temperature is elevated. It is important to quantify its thermal limits to achieve acceptable performance and reliability. This limit is determined by summing the individual parts consisting of a series of temperature rises from the semiconductor junction to the operating environment. A one-dimensional steady-state model of conduction heat transfer is demonstrated in Figure 27. The heat generated at the device junction flows through the die to the die attach pad, through the lead frame to the surrounding case material, to the printed-circuit board, and eventually to the ambient environment.

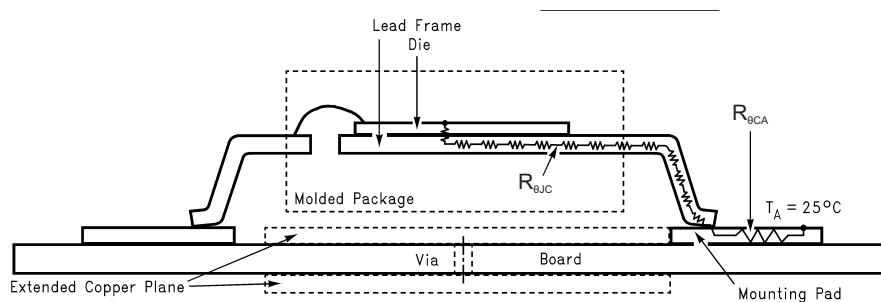
There are several variables that may affect the thermal resistance and in turn the need for a heat sink, which include the following.

Component variables ( $R_{\theta JC}$ )

- Leadframe size and material
- Number of conduction pins
- Die size
- Die attach material
- Molding compound size and material

Application variables ( $R_{\theta CA}$ )

- Mounting pad size, material, and location
- Placement of mounting pad
- PCB size and material
- Traces length and width
- Adjacent heat sources
- Volume of air
- Ambient temperature
- Shape of mounting pad



The case temperature is measured at the point where the leads contact the mounted pad surface.

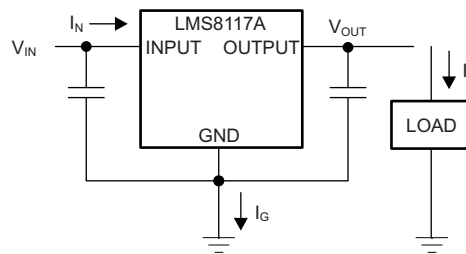
**Figure 27. Cross-Sectional View of Integrated Circuit Mounted on a Printed-Circuit Board**

The LMS8117A regulator has internal thermal shutdown to protect the device from overheating. Under all possible operating conditions, the junction temperature of the LMS8117A must be within 0°C to 125°C. A heat sink may be required depending on the maximum power dissipation and maximum ambient temperature of the application. To determine if a heat sink is required, the power dissipated by the regulator ( $P_D$ ) is calculated using Equation 6.

$$I_{IN} = I_L + I_G \quad (6)$$

$$P_D = (V_{IN} - V_{OUT}) \times I_L + (V_{IN} \times I_G) \quad (7)$$

Figure 28 shows the voltages and currents which are present in the circuit.

**Thermal Considerations (continued)**


Copyright © 2016, Texas Instruments Incorporated

**Figure 28. Power Dissipation Diagram**

The next parameter which must be calculated is the maximum allowable temperature rise ( $T_{R(MAX)}$ ) in [Equation 8](#).

$$T_{R(MAX)} = T_{J(MAX)} - T_{A(MAX)}$$

where

- $T_{J(MAX)}$  is the maximum allowable junction temperature (125°C)
  - $T_{A(MAX)}$  is the maximum ambient temperature encountered in the application
- (8)

Using the calculated values for  $T_{R(MAX)}$  and  $P_D$ , the maximum allowable value for the junction-to-ambient thermal resistance ( $R_{\theta JA}$ ) can be calculated with [Equation 9](#).

$$R_{\theta JA} = T_{R(MAX)} / P_D$$
(9)

If the maximum allowable value for  $R_{\theta JA}$  is found to be  $\geq 61.4^\circ\text{C/W}$  for SOT-223 package or  $\geq 56.1^\circ\text{C/W}$  for TO-252 package, no heat sink is required because the package alone dissipates enough heat to satisfy these requirements. If the calculated value for  $R_{\theta JA}$  falls below these limits, a heat sink is required.

As a design aid, [Table 1](#) shows the value of the  $R_{\theta JA}$  of SOT-223 and TO-252 for different heat sink area. The copper patterns that we used to measure these  $R_{\theta JA}$  are shown [Figure 29](#) and [Figure 30](#). [Figure 17](#) and [Figure 18](#) reflect the same test results as what are in the [Table 1](#).

[Figure 19](#) and [Figure 20](#) show the maximum allowable power dissipation versus ambient temperature for the SOT-223 and TO-252 device packages. [Figure 21](#) and [Figure 22](#) show the maximum allowable power dissipation versus copper area (in.<sup>2</sup>) for the SOT-223 and TO-252 device packages. For power enhancement techniques to be used with SOT-223 and TO-252 packages, see [AN-1028 Maximum Power Enhancement Techniques for Power Packages](#) (SNVA036).

**Table 1.  $R_{\theta JA}$  Different Heat Sink Area**

LAYOUT	COPPER AREA (in <sup>2</sup> )		THERMAL RESISTANCE: $R_{\theta JA}$ (°C/W)	
	TOP SIDE <sup>(1)</sup>	BOTTOM SIDE	SOT-223	TO-252
1	0.0123	0	136	103
2	0.066	0	123	87
3	0.3	0	84	60
4	0.53	0	75	54
5	0.76	0	96	52
6	1	0	66	47
7	0	0.2	115	64
8	0	0.4	98	70
9	0	0.6	89	63
10	0	0.8	82	57
11	0	1	79	57
12	0.066	0.066	125	89
13	0.175	0.175	93	72

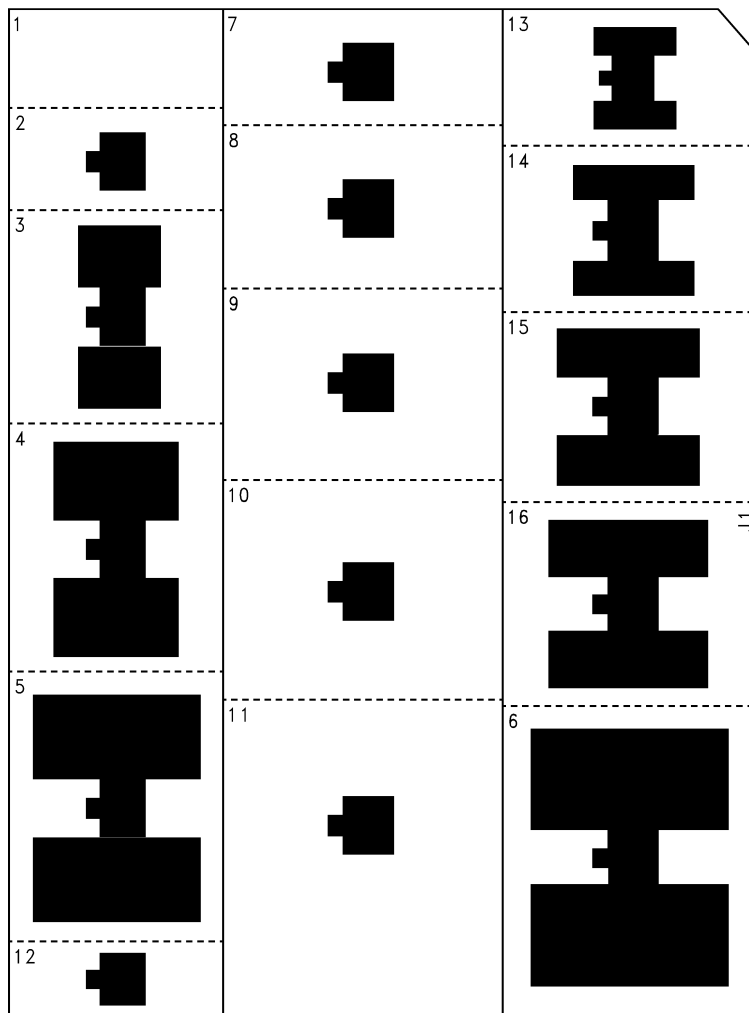
(1) Tab of device is attached to top-side copper.



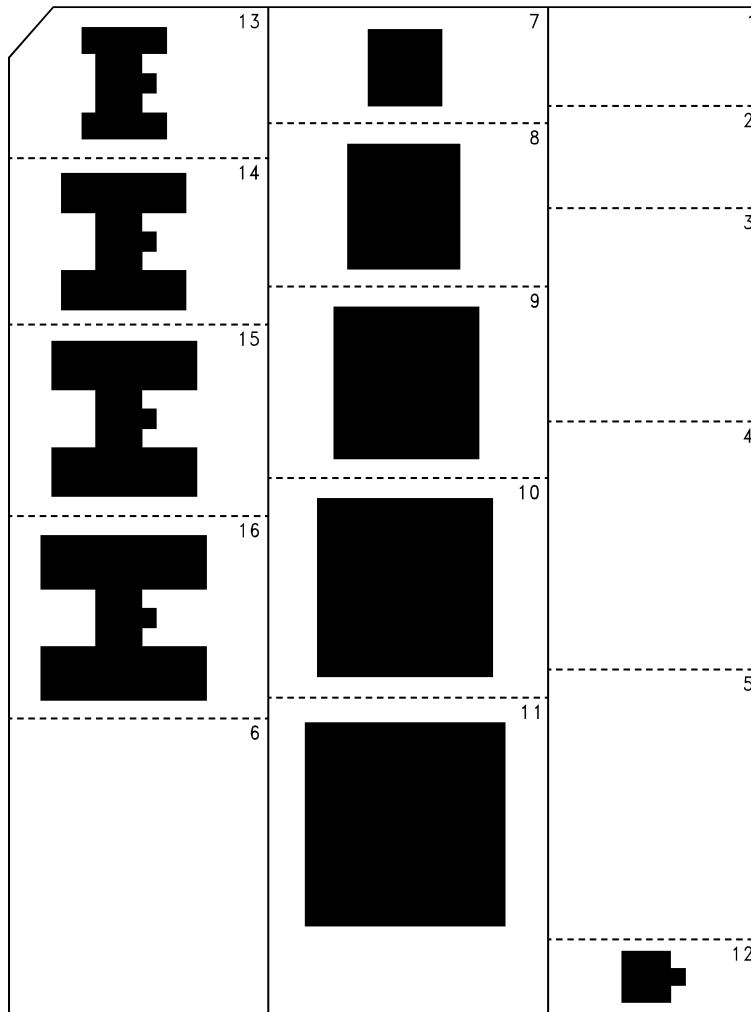
**Thermal Considerations (continued)**

**Table 1.  $R_{\theta JA}$  Different Heat Sink Area (continued)**

LAYOUT	COPPER AREA (in <sup>2</sup> )		THERMAL RESISTANCE: $R_{\theta JA}$ (°C/W)	
	TOP SIDE <sup>(1)</sup>	BOTTOM SIDE	SOT-223	T0-252
14	0.284	0.284	83	61
15	0.392	0.392	75	55
16	0.5	0.5	70	53



**Figure 29. Top View of the Thermal Test Pattern in Actual Scale**



**Figure 30. Bottom View of the Thermal Test Pattern in Actual Scale**

## 11 Device and Documentation Support

### 11.1 Documentation Support

#### 11.1.1 Related Documentation

For related documentation see the following:

[AN-1028 Maximum Power Enhancement Techniques for Power Packages](#) (SNVA036)

### 11.2 Receiving Notification of Documentation Updates

To receive notification of documentation updates, navigate to the device product folder on ti.com. In the upper right corner, click on *Alert me* to register and receive a weekly digest of any product information that has changed. For change details, review the revision history included in any revised document.

### 11.3 Community Resources

The following links connect to TI community resources. Linked contents are provided "AS IS" by the respective contributors. They do not constitute TI specifications and do not necessarily reflect TI's views; see TI's [Terms of Use](#).

**TI E2E™ Online Community** *TI's Engineer-to-Engineer (E2E) Community*. Created to foster collaboration among engineers. At e2e.ti.com, you can ask questions, share knowledge, explore ideas and help solve problems with fellow engineers.

**Design Support** *TI's Design Support* Quickly find helpful E2E forums along with design support tools and contact information for technical support.

### 11.4 Trademarks

E2E is a trademark of Texas Instruments.

All other trademarks are the property of their respective owners.

### 11.5 Electrostatic Discharge Caution



This integrated circuit can be damaged by ESD. Texas Instruments recommends that all integrated circuits be handled with appropriate precautions. Failure to observe proper handling and installation procedures can cause damage.

ESD damage can range from subtle performance degradation to complete device failure. Precision integrated circuits may be more susceptible to damage because very small parametric changes could cause the device not to meet its published specifications.

### 11.6 Glossary

[SLYZ022](#) — *TI Glossary*.

This glossary lists and explains terms, acronyms, and definitions.

## 12 Mechanical, Packaging, and Orderable Information

The following pages include mechanical, packaging, and orderable information. This information is the most current data available for the designated devices. This data is subject to change without notice and revision of this document. For browser-based versions of this data sheet, refer to the left-hand navigation.

**PACKAGING INFORMATION**

Orderable Device	Status (1)	Package Type	Package Drawing	Pins	Package Qty	Eco Plan (2)	Lead/Ball Finish (6)	MSL Peak Temp (3)	Op Temp (°C)	Device Marking (4/5)	Samples
LMS8117ADT-3.3/NOPB	ACTIVE	TO-252	NDP	3	75	Green (RoHS & no Sb/Br)	CU SN	Level-2-260C-1 YEAR	0 to 125	LMS8117 ADT-3.3	<a href="#">Samples</a>
LMS8117ADT-ADJ/NOPB	ACTIVE	TO-252	NDP	3	75	Green (RoHS & no Sb/Br)	CU SN	Level-2-260C-1 YEAR	0 to 125	LMS8117 ADT-ADJ	<a href="#">Samples</a>
LMS8117ADTX-3.3/NOPB	ACTIVE	TO-252	NDP	3	2500	Green (RoHS & no Sb/Br)	CU SN	Level-2-260C-1 YEAR	0 to 125	LMS8117 ADT-3.3	<a href="#">Samples</a>
LMS8117ADTX-ADJ/NOPB	ACTIVE	TO-252	NDP	3	2500	Green (RoHS & no Sb/Br)	CU SN	Level-2-260C-1 YEAR	0 to 125	LMS8117 ADT-ADJ	<a href="#">Samples</a>
LMS8117AMP-1.8/NOPB	ACTIVE	SOT-223	DCY	4	1000	Green (RoHS & no Sb/Br)	CU SN	Level-1-260C-UNLIM	0 to 125	LS00	<a href="#">Samples</a>
LMS8117AMP-3.3/NOPB	ACTIVE	SOT-223	DCY	4	1000	Green (RoHS & no Sb/Br)	CU SN	Level-1-260C-UNLIM	0 to 125	LS01	<a href="#">Samples</a>
LMS8117AMP-ADJ/NOPB	ACTIVE	SOT-223	DCY	4	1000	Green (RoHS & no Sb/Br)	CU SN	Level-1-260C-UNLIM	0 to 125	LS0A	<a href="#">Samples</a>
LMS8117AMPX-1.8/NOPB	ACTIVE	SOT-223	DCY	4	2000	Green (RoHS & no Sb/Br)	CU SN	Level-1-260C-UNLIM	0 to 125	LS00	<a href="#">Samples</a>

(1) The marketing status values are defined as follows:

**ACTIVE:** Product device recommended for new designs.

**LIFEBUY:** TI has announced that the device will be discontinued, and a lifetime-buy period is in effect.

**NRND:** Not recommended for new designs. Device is in production to support existing customers, but TI does not recommend using this part in a new design.

**PREVIEW:** Device has been announced but is not in production. Samples may or may not be available.

**OBsolete:** TI has discontinued the production of the device.

(2) **RoHS:** TI defines "RoHS" to mean semiconductor products that are compliant with the current EU RoHS requirements for all 10 RoHS substances, including the requirement that RoHS substance do not exceed 0.1% by weight in homogeneous materials. Where designed to be soldered at high temperatures, "RoHS" products are suitable for use in specified lead-free processes. TI may reference these types of products as "Pb-Free".

**RoHS Exempt:** TI defines "RoHS Exempt" to mean products that contain lead but are compliant with EU RoHS pursuant to a specific EU RoHS exemption.

**Green:** TI defines "Green" to mean the content of Chlorine (Cl) and Bromine (Br) based flame retardants meet JS709B low halogen requirements of <=100ppm threshold. Antimony trioxide based flame retardants must also meet the <=1000ppm threshold requirement.

(3) MSL, Peak Temp. - The Moisture Sensitivity Level rating according to the JEDEC industry standard classifications, and peak solder temperature.

(4) There may be additional marking, which relates to the logo, the lot trace code information, or the environmental category on the device.

<sup>(5)</sup> Multiple Device Markings will be inside parentheses. Only one Device Marking contained in parentheses and separated by a "-" will appear on a device. If a line is indented then it is a continuation of the previous line and the two combined represent the entire Device Marking for that device.

<sup>(6)</sup> Lead/Ball Finish - Orderable Devices may have multiple material finish options. Finish options are separated by a vertical ruled line. Lead/Ball Finish values may wrap to two lines if the finish value exceeds the maximum column width.

**Important Information and Disclaimer:**The information provided on this page represents TI's knowledge and belief as of the date that it is provided. TI bases its knowledge and belief on information provided by third parties, and makes no representation or warranty as to the accuracy of such information. Efforts are underway to better integrate information from third parties. TI has taken and continues to take reasonable steps to provide representative and accurate information but may not have conducted destructive testing or chemical analysis on incoming materials and chemicals. TI and TI suppliers consider certain information to be proprietary, and thus CAS numbers and other limited information may not be available for release.

In no event shall TI's liability arising out of such information exceed the total purchase price of the TI part(s) at issue in this document sold by TI to Customer on an annual basis.

DCY (R-PDSO-G4)

PLASTIC SMALL-OUTLINE



- NOTES: A. All linear dimensions are in millimeters (inches).  
 B. This drawing is subject to change without notice.  
 C. Body dimensions do not include mold flash or protrusion.  
 D. Falls within JEDEC TO-261 Variation AA.

DCY (R-PDSO-G4)

PLASTIC SMALL OUTLINE



- NOTES:
- A. All linear dimensions are in millimeters.
  - B. This drawing is subject to change without notice.
  - C. Publication IPC-7351 is recommended for alternate designs.
  - D. Laser cutting apertures with trapezoidal walls and also rounding corners will offer better paste release. Customers should contact their board assembly site for stencil recommendations. Refer to IPC 7525 for stencil design considerations.

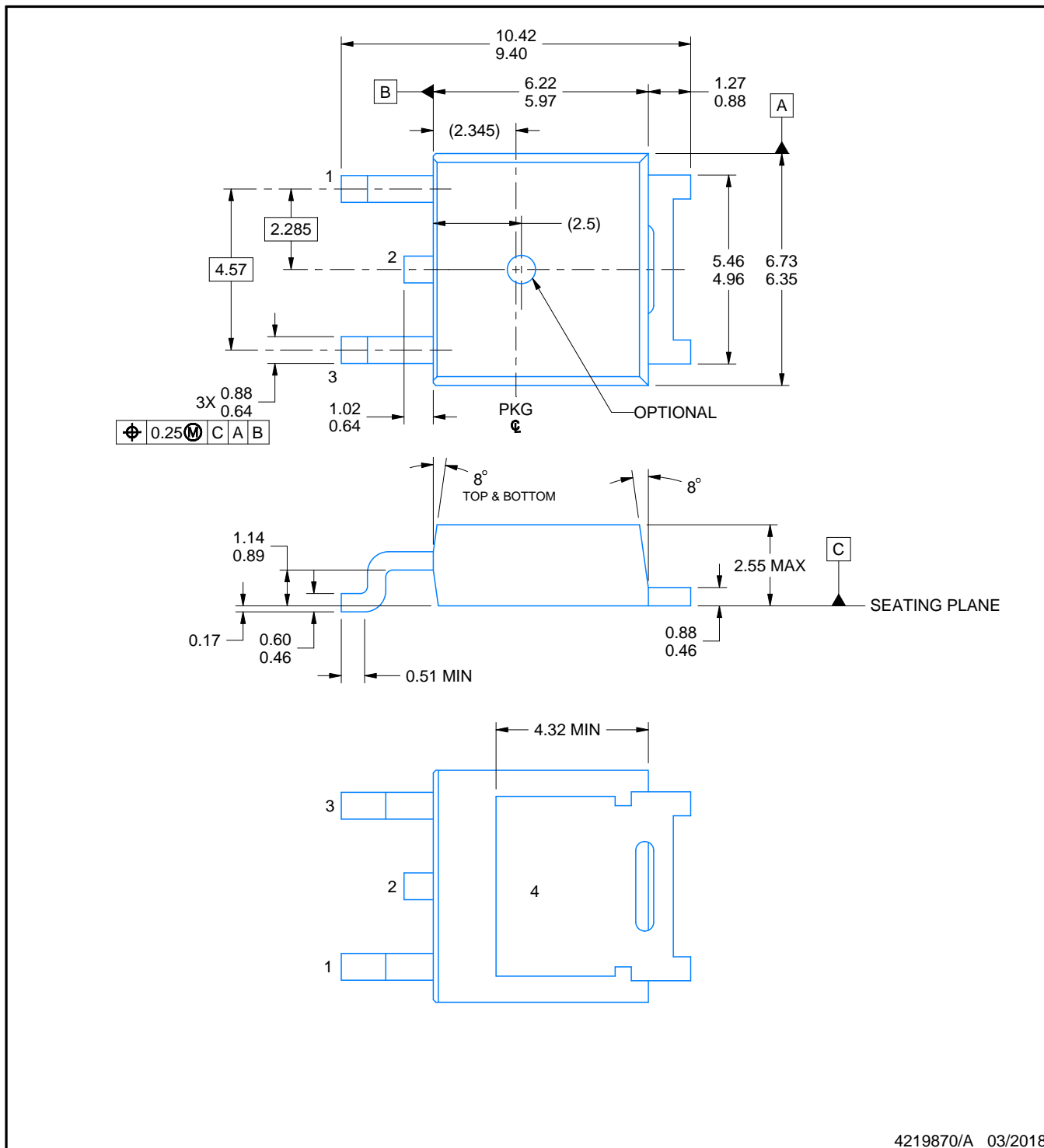
# NDP0003B



# PACKAGE OUTLINE

## TO-252 - 2.55 mm max height

TRANSISTOR OUTLINE



**NOTES:**

1. All linear dimensions are in millimeters. Any dimensions in parenthesis are for reference only. Dimensioning and tolerancing per ASME Y14.5M.
2. This drawing is subject to change without notice.
3. Reference JEDEC registration TO-252.

4219870/A 03/2018

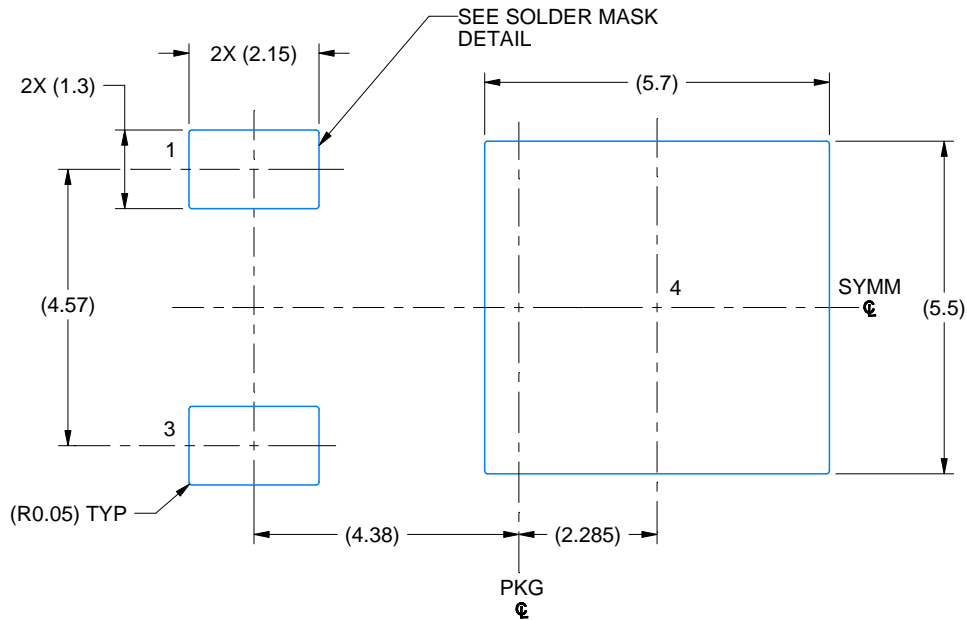


# EXAMPLE BOARD LAYOUT

NDP0003B

TO-252 - 2.55 mm max height

TRANSISTOR OUTLINE



LAND PATTERN EXAMPLE  
EXPOSED METAL SHOWN  
SCALE: 8X



4219870/A 03/2018

NOTES: (continued)

4. This package is designed to be soldered to a thermal pad on the board. For more information, see Texas Instruments literature numbers SLMA002([www.ti.com/lit/slm002](http://www.ti.com/lit/slm002)) and SLMA004 ([www.ti.com/lit/slma004](http://www.ti.com/lit/slma004)).
5. Vias are optional depending on application, refer to device data sheet. It is recommended that vias under paste be filled, plugged or tented.

# EXAMPLE STENCIL DESIGN

NDP0003B

TO-252 - 2.55 mm max height

TRANSISTOR OUTLINE



SOLDER PASTE EXAMPLE  
BASED ON 0.125 MM THICK STENCIL  
SCALE: 8X

4219870/A 03/2018

NOTES: (continued)

6. Laser cutting apertures with trapezoidal walls and rounded corners may offer better paste release. IPC-7525 may have alternate design recommendations.
7. Board assembly site may have different recommendations for stencil design.

## IMPORTANT NOTICE

Texas Instruments Incorporated (TI) reserves the right to make corrections, enhancements, improvements and other changes to its semiconductor products and services per JESD46, latest issue, and to discontinue any product or service per JESD48, latest issue. Buyers should obtain the latest relevant information before placing orders and should verify that such information is current and complete.

TI's published terms of sale for semiconductor products (<http://www.ti.com/sc/docs/stdterms.htm>) apply to the sale of packaged integrated circuit products that TI has qualified and released to market. Additional terms may apply to the use or sale of other types of TI products and services.

Reproduction of significant portions of TI information in TI data sheets is permissible only if reproduction is without alteration and is accompanied by all associated warranties, conditions, limitations, and notices. TI is not responsible or liable for such reproduced documentation. Information of third parties may be subject to additional restrictions. Resale of TI products or services with statements different from or beyond the parameters stated by TI for that product or service voids all express and any implied warranties for the associated TI product or service and is an unfair and deceptive business practice. TI is not responsible or liable for any such statements.

Buyers and others who are developing systems that incorporate TI products (collectively, "Designers") understand and agree that Designers remain responsible for using their independent analysis, evaluation and judgment in designing their applications and that Designers have full and exclusive responsibility to assure the safety of Designers' applications and compliance of their applications (and of all TI products used in or for Designers' applications) with all applicable regulations, laws and other applicable requirements. Designer represents that, with respect to their applications, Designer has all the necessary expertise to create and implement safeguards that (1) anticipate dangerous consequences of failures, (2) monitor failures and their consequences, and (3) lessen the likelihood of failures that might cause harm and take appropriate actions. Designer agrees that prior to using or distributing any applications that include TI products, Designer will thoroughly test such applications and the functionality of such TI products as used in such applications.

TI's provision of technical, application or other design advice, quality characterization, reliability data or other services or information, including, but not limited to, reference designs and materials relating to evaluation modules, (collectively, "TI Resources") are intended to assist designers who are developing applications that incorporate TI products; by downloading, accessing or using TI Resources in any way, Designer (individually or, if Designer is acting on behalf of a company, Designer's company) agrees to use any particular TI Resource solely for this purpose and subject to the terms of this Notice.

TI's provision of TI Resources does not expand or otherwise alter TI's applicable published warranties or warranty disclaimers for TI products, and no additional obligations or liabilities arise from TI providing such TI Resources. TI reserves the right to make corrections, enhancements, improvements and other changes to its TI Resources. TI has not conducted any testing other than that specifically described in the published documentation for a particular TI Resource.

Designer is authorized to use, copy and modify any individual TI Resource only in connection with the development of applications that include the TI product(s) identified in such TI Resource. NO OTHER LICENSE, EXPRESS OR IMPLIED, BY ESTOPPEL OR OTHERWISE TO ANY OTHER TI INTELLECTUAL PROPERTY RIGHT, AND NO LICENSE TO ANY TECHNOLOGY OR INTELLECTUAL PROPERTY RIGHT OF TI OR ANY THIRD PARTY IS GRANTED HEREIN, including but not limited to any patent right, copyright, mask work right, or other intellectual property right relating to any combination, machine, or process in which TI products or services are used. Information regarding or referencing third-party products or services does not constitute a license to use such products or services, or a warranty or endorsement thereof. Use of TI Resources may require a license from a third party under the patents or other intellectual property of the third party, or a license from TI under the patents or other intellectual property of TI.

TI RESOURCES ARE PROVIDED "AS IS" AND WITH ALL FAULTS. TI DISCLAIMS ALL OTHER WARRANTIES OR REPRESENTATIONS, EXPRESS OR IMPLIED, REGARDING RESOURCES OR USE THEREOF, INCLUDING BUT NOT LIMITED TO ACCURACY OR COMPLETENESS, TITLE, ANY EPIDEMIC FAILURE WARRANTY AND ANY IMPLIED WARRANTIES OF MERCHANTABILITY, FITNESS FOR A PARTICULAR PURPOSE, AND NON-INFRINGEMENT OF ANY THIRD PARTY INTELLECTUAL PROPERTY RIGHTS. TI SHALL NOT BE LIABLE FOR AND SHALL NOT DEFEND OR INDEMNIFY DESIGNER AGAINST ANY CLAIM, INCLUDING BUT NOT LIMITED TO ANY INFRINGEMENT CLAIM THAT RELATES TO OR IS BASED ON ANY COMBINATION OF PRODUCTS EVEN IF DESCRIBED IN TI RESOURCES OR OTHERWISE. IN NO EVENT SHALL TI BE LIABLE FOR ANY ACTUAL, DIRECT, SPECIAL, COLLATERAL, INDIRECT, PUNITIVE, INCIDENTAL, CONSEQUENTIAL OR EXEMPLARY DAMAGES IN CONNECTION WITH OR ARISING OUT OF TI RESOURCES OR USE THEREOF, AND REGARDLESS OF WHETHER TI HAS BEEN ADVISED OF THE POSSIBILITY OF SUCH DAMAGES.

Unless TI has explicitly designated an individual product as meeting the requirements of a particular industry standard (e.g., ISO/TS 16949 and ISO 26262), TI is not responsible for any failure to meet such industry standard requirements.

Where TI specifically promotes products as facilitating functional safety or as compliant with industry functional safety standards, such products are intended to help enable customers to design and create their own applications that meet applicable functional safety standards and requirements. Using products in an application does not by itself establish any safety features in the application. Designers must ensure compliance with safety-related requirements and standards applicable to their applications. Designer may not use any TI products in life-critical medical equipment unless authorized officers of the parties have executed a special contract specifically governing such use. Life-critical medical equipment is medical equipment where failure of such equipment would cause serious bodily injury or death (e.g., life support, pacemakers, defibrillators, heart pumps, neurostimulators, and implantables). Such equipment includes, without limitation, all medical devices identified by the U.S. Food and Drug Administration as Class III devices and equivalent classifications outside the U.S.

TI may expressly designate certain products as completing a particular qualification (e.g., Q100, Military Grade, or Enhanced Product). Designers agree that it has the necessary expertise to select the product with the appropriate qualification designation for their applications and that proper product selection is at Designers' own risk. Designers are solely responsible for compliance with all legal and regulatory requirements in connection with such selection.

Designer will fully indemnify TI and its representatives against any damages, costs, losses, and/or liabilities arising out of Designer's non-compliance with the terms and provisions of this Notice.

# Mouser Electronics

Authorized Distributor

Click to View Pricing, Inventory, Delivery & Lifecycle Information:

## Texas Instruments:

[LMS8117ADT-3.3](#) [LMS8117ADT-3.3/NOPB](#) [LMS8117ADT-ADJ](#) [LMS8117ADT-ADJ/NOPB](#) [LMS8117ADTX-3.3](#)  
[LMS8117ADTX-3.3/NOPB](#) [LMS8117ADTX-ADJ/NOPB](#) [LMS8117AMP-1.8](#) [LMS8117AMP-1.8/NOPB](#) [LMS8117AMP-](#)  
[3.3](#) [LMS8117AMP-3.3/NOPB](#) [LMS8117AMP-ADJ](#) [LMS8117AMP-ADJ/NOPB](#) [LMS8117AMPX-1.8](#) [LMS8117AMPX-](#)  
[1.8/NOPB](#)