

MELF-SMD 0.5 Watt



Zener Diodes

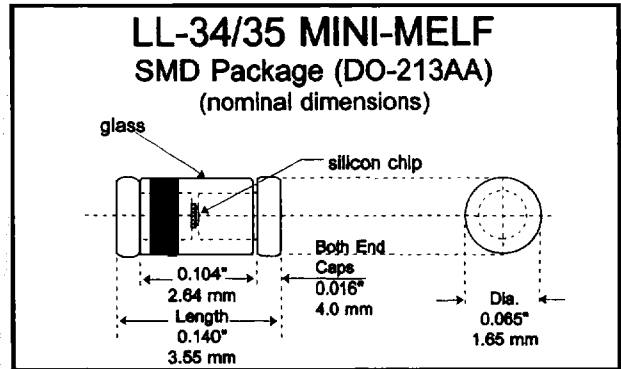
Applications

Used in general purpose regulation and protection, where space and surge capability are important.

(MELF available in MII types up to JTXV1N746AUR-1 and to "S" levels via Source Control Drawings.)

Features

- Six sigma quality
- High surge capability
- Humidity proof glass
- Metallurgically bonded
- Approved to Mil-S-19500/127
- DO-35 leaded glass types available



Absolute Maximum Ratings	Symbol	Value	Unit
Power Dissipation at end cap temperature = 75 °C	P_{tot}	0.5	Watt
Junction Temperature	T_j	200	°C
Operating and Storage Temperature Range	T_s	-65 to +200	°C

Characteristics at T = 25 °C	Symbol	Limit	Unit
Power Derating at end cap temperature = 75 °C	P_{DR}	4.0 (Max)	mW/°C
Forward Voltage at $I_f = 200$ mA	V_F	1.1 (Max)	Volts

Type	Nominal Zener Voltage (V_z) @ I_{z1} Volts	Maximum Zener Impedance (Z_{zt}) @ I_{z1} Ohms	Test Current I_{z1} mA	Typical Temperature Coefficient %/°C	Maximum Leakage Current (I_R) @ $V_R = 1V$		Maximum Regulator Current (I_{zM}) mA
					25°C μA	150°C μA	
LL746A	3.3	28	20	-0.062	10	30	110
LL747A	3.6	24	20	-0.055	10	30	100
LL748A	3.9	23	20	-0.049	10	30	95
LL749A	4.3	22	20	-0.036	2	30	85
LL750A	4.7	19	20	-0.018	2	30	75
LL751A	5.1	17	20	-0.008	1	20	70
LL752A	5.6	11	20	0.006	1	20	65
LL753A	6.2	7	20	0.022	0.1	20	60
LL754A	6.8	5	20	0.035	0.1	20	55
LL755A	7.5	6	20	0.045	0.1	20	50
LL756A	8.2	8	20	0.052	0.1	20	45
LL757A	9.1	10	20	0.056	0.1	20	40
LL758A	10.0	17	20	0.060	0.1	20	35
LL759A	12.0	30	20	0.060	0.1	20	30

Voltage tolerance is $\pm 5\%$. Non-suffix is $\pm 10\%$ tolerance.

To order Mil types; replace "LL" with a JAN1N, JTX1N or JTXV1N prefix and add a UR-1 suffix to the listed numbers. DO-35 leaded glass package available in commercial and military versions, use 1N in place of the LL prefix.

BKCS021



6 Lake Street
Lawrence, MA
USA 01841