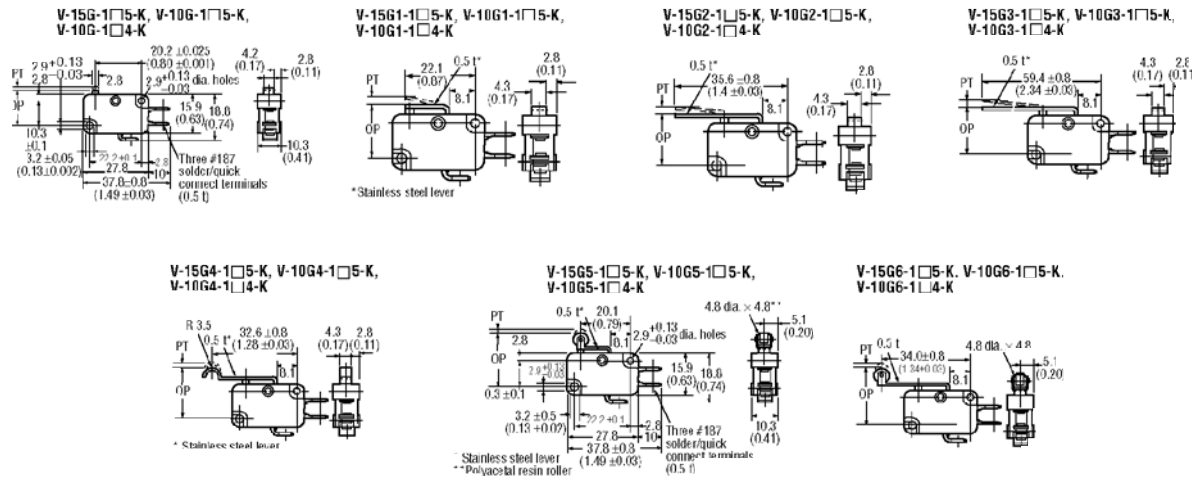


Miniature V-Series Snap Action Switches

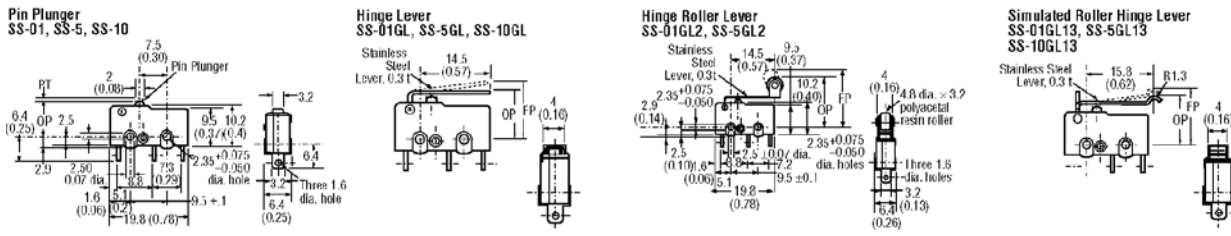


Long service life, high vibration and shock resistance, and easy installation. Solder/quick-connect (#187) terminals. Thermostat resin body allows wide operating temperature range of -25°C to 80°C (-13° to 176°F). **Body Size:** 19.7 × 9.4 × 6.4 mm (0.77 × 0.37 × 0.25). **Heavy Duty Load:** SPDT contacts (non-inductive, resistive) 15 A @ 250 VAC, 15 A @ 8 VDC, 10 A @ 30 VDC, 0.6 A @ 125 VDC; 36 A max. inrush current NC/NO. **Standard Load:** SPDT contacts (non-inductive, resistive); 10 A @ 250 VAC, 10 A @ 8 VDC, 6 A @ 30 VDC, 0.6 @ 125 VDC, 24 A max. inrush current NC/NO. UL recognized and CSA approved.

Stock No.	Mfr.'s Type	Actuator Type	Operating Force (Max.)	Release Force (Min.)	Pretravel (Max.)	Overtravel (Min.)	Movement Differential	Operating Position	Actuator Length*	EACH		
										1-24	25-99	100-499
821-1331	V-10G-1A5-K	Pin plunger, standard load	7.1 oz.	1.8 oz.	0.047 in.	0.051 in.	0.012 in.	0.579 in.	—	2.58	2.15	1.97
821-1332	V-10G-1C5-K	Pin plunger, standard load	7.1 oz.	1.8 oz.	0.047 in.	0.051 in.	0.012 in.	0.579 in.	—	2.58	2.15	1.97
821-1344	V-10G-1C24-K	Pin plunger, standard load	3.5 oz.	0.7 oz.	0.047 in.	0.051 in.	0.012 in.	0.579 in.	—	2.57	2.37	2.16
821-1325	V-10G-1C25-K	Pin plunger, standard load	7.1 oz.	1.8 oz.	0.047 in.	0.051 in.	0.012 in.	0.579 in.	—	2.58	2.15	1.97
821-1545	V-10G1-1C24-K	Short hinge lever, standard load	3.5 oz.	0.5 oz.	0.059 in.	0.039 in.	0.020 in.	0.598 in.	0.55 in.	2.55	2.35	2.13
821-1326	V-10G1-1C25-K	Short hinge lever, standard load	7.1 oz.	1.8 oz.	0.059 in.	0.039 in.	0.020 in.	0.598 in.	0.55 in.	2.63	2.19	2.01
821-1546	V-10G2-1C24-K	Hinge lever, standard load	2.1 oz.	0.2 oz.	0.130 in.	0.091 in.	0.032 in.	0.598 in.	1.08 in.	2.55	2.35	2.13
821-1327	V-10G2-1C25-K	Hinge lever, standard load	4.4 oz.	0.5 oz.	0.091 in.	0.091 in.	0.032 in.	0.598 in.	1.08 in.	2.63	2.19	2.01
821-1547	V-10G3-1C24-K	Long hinge lever, standard load	1.2 oz.	—	0.299 in.	0.126 in.	0.079 in.	0.598 in.	2.02 in.	2.67	2.45	2.23
821-1328	V-10G3-1C25-K	Long hinge lever, standard load	2.5 oz.	1.2 oz.	0.355 in.	0.118 in.	0.079 in.	0.598 in.	2.02 in.	2.76	2.30	2.11
821-1548	V-10G4-1C24-K	Simulated roller lever, standard load	2.1 oz.	0.2 oz.	0.130 in.	0.091 in.	0.079 in.	0.736 in.	0.96 in.	2.69	2.47	2.24
821-1329	V-10G4-1C25-K	Simulated roller lever, standard load	4.4 oz.	0.5 oz.	0.130 in.	0.091 in.	0.079 in.	0.736 in.	0.96 in.	2.78	2.32	2.12
821-1549	V-10G5-1C24-K	Short hinge roller lever, standard load	4.7 oz.	0.5 oz.	0.059 in.	0.039 in.	0.020 in.	0.815 in.	0.47 in.	3.06	2.79	2.54
821-1330	V-10G5-1C25-K	Short hinge roller lever, standard load	8.5 oz.	1.8 oz.	0.059 in.	0.039 in.	0.020 in.	0.815 in.	0.47 in.	3.15	2.63	2.41
821-1333	V-10G6-1C24-K	Hinge roller lever, standard load	3.5 oz.	0.7 oz.	0.130 in.	0.091 in.	0.032 in.	0.815 in.	1.02 in.	3.15	2.63	2.41
821-1334	V-10G6-1C25-K	Hinge roller lever, standard load	4.4 oz.	0.5 oz.	0.130 in.	0.091 in.	0.032 in.	0.815 in.	1.02 in.	3.15	2.63	2.41
821-1336	V-15G-1A5-K	Pin plunger, standard load	7.1 oz.	1.8 oz.	0.047 in.	0.051 in.	0.012 in.	0.579 in.	—	2.58	2.15	1.97
821-1335	V-15G-1C5-K	Pin plunger, standard load	7.1 oz.	1.8 oz.	0.047 in.	0.051 in.	0.012 in.	0.579 in.	—	2.58	2.15	1.97
821-1550	V-15G-1C25-K	Pin plunger, standard load	7.1 oz.	2.0 oz.	0.047 in.	0.051 in.	0.012 in.	0.579 in.	—	2.50	2.31	2.10
821-1551	V-15G1-1C25-K	Short hinge lever, standard load	7.1 oz.	2.0 oz.	0.059 in.	0.039 in.	0.020 in.	0.598 in.	0.55 in.	2.82	2.41	2.19
821-1552	V-15G2-1C25-K	Hinge lever, standard load	4.4 oz.	0.6 oz.	0.091 in.	0.091 in.	0.032 in.	0.598 in.	1.08 in.	2.54	2.34	2.12
821-1553	V-15G3-1C25-K	Long hinge lever, standard load	2.5 oz.	0.2 oz.	0.354 in.	0.118 in.	0.079 in.	0.598 in.	2.02 in.	2.81	2.58	2.34
821-1554	V-15G4-1C25-K	Simulated roller lever, standard load	4.4 oz.	0.6 oz.	0.130 in.	0.091 in.	0.032 in.	0.736 in.	0.96 in.	2.78	2.55	2.31
821-1555	V-15G5-1C25-K	Hinge roller lever, standard load	8.5 oz.	2.0 oz.	0.059 in.	0.039 in.	0.020 in.	0.815 in.	0.47 in.	3.10	2.83	2.57
821-1556	V-15G6-1C25-K	Hinge roller lever, standard load	4.4 oz.	0.5 oz.	0.130 in.	0.091 in.	0.032 in.	0.815 in.	1.02 in.	3.19	2.22	2.07

*Actuator length is measured from the center of the mounting hole to the tip of the lever.

SS Economical Subminiature Snap Action Switches



Three load switching capacities to choose from in a compact snap action switch. Long service life, high vibration and shock resistance, and easy installation. Solder terminals. **Body Size:** 19.7 × 9.4 × 6.4 mm (0.77 × 0.37 × 0.25), (9.5 mm). **Heavy Duty Load:** rivet contacts (non-inductive, resistive) 10.1 A @ 125 VAC/250 VAC, 10.1 A @ 8 VDC/14 VDC, 4 A @ 30 VDC; 20 A max. inrush current NC, 15 A max. inrush current NO. **Standard Load:** rivet contacts (non-inductive, resistive); 5 A @ 125 VAC/250 VAC, 5 A @ 8 VDC/14 VDC, 4 A 30 VDC; 20 A max. inrush current NC, 10 A max. inrush current NO. **Microvoltage/Current Load:** bifurcated crossbar contacts (non-inductive, resistive); 0.1 A @ 125 VAC/30 VDC; 1 A max. inrush current.

Stock No.	Mfr.'s Type	Actuator Type	Operating Force (Max.)	Release Force (Min.)	Pretravel (Max.)	Overtravel (Min.)	Movement Differential	Operating Position	Actuator Length*	EACH		
										1-24	25-99	100-499
821-1537	SS-01	Pin plunger, micro load	5.3 oz.	0.9 oz.	0.020 in.	0.020 in.	0.004 in.	0.331 in.	—	2.64	2.41	2.18
821-1538	SS-01GL	Hinge lever, micro load	1.8 oz.	0.2 oz.	0.047 in.	0.032 in.	0.535 in.	0.346 in.	0.571 in.	2.85	2.62	2.38
821-1539	SS-01GL13	Simulated roller lever, micro load	1.8 oz.	0.2 oz.	0.047 in.	0.047 in.	0.610 in.	0.421 in.	0.623 in.	2.82	2.59	2.36
821-1540	SS-01GL2	Hinge roller lever, micro load	1.8 oz.	0.2 oz.	0.047 in.	0.047 in.	0.760 in.	0.571 in.	0.571 in.	3.00	2.75	2.50
821-1515	SS-5	Pin plunger, standard load	5.3 oz.	0.9 oz.	0.020 in.	0.020 in.	0.004 in.	0.331 in.	—	1.44	1.33	1.21
821-1337	SS-5F	Pin plunger, standard load	5.3 oz.	0.9 oz.	0.020 in.	0.020 in.	0.004 in.	0.331 in.	—	1.70	1.42	1.30
821-1516	SS-5GL	Hinge lever, standard load	1.8 oz.	0.2 oz.	0.022 in.	0.022 in.	0.032 in.	0.346 in.	0.571 in.	1.57	1.45	1.32
821-1541	SS-5GL13	Simulated roller lever, standard load	1.8 oz.	0.2 oz.	0.022 in.	0.022 in.	0.032 in.	0.421 in.	0.623 in.	1.64	1.51	1.37
821-1517	SS-5GL2	Hinge roller lever, standard load	1.8 oz.	0.2 oz.	0.022 in.	0.022 in.	0.032 in.	0.571 in.	0.571 in.	1.99	1.82	1.65
821-1338	SS-5GL2-F	Hinge roller lever, standard load	1.8 oz.	0.2 oz.	0.022 in.	0.022 in.	0.032 in.	0.571 in.	0.570 in.	2.09	1.74	1.59
821-1542	SS-10	Pin plunger, heavy duty load	5.3 oz.	0.9 oz.	0.024 in.	0.024 in.	0.005 in.	0.217 in.	—	1.94	1.77	1.61
821-1543	SS-10GL	Hinge lever, heavy duty load	1.8 oz.	0.2 oz.	0.039 in.	0.039 in.	0.020 in.	0.268 in.	0.571 in.	2.16	1.98	1.80

*Actuator length is measured from the center of the mounting hole to the tip of the actuator.

Prices Subject To Change — We Always Ship At The Lowest Price In Effect

ALLIED ▶ 249

PDF Support