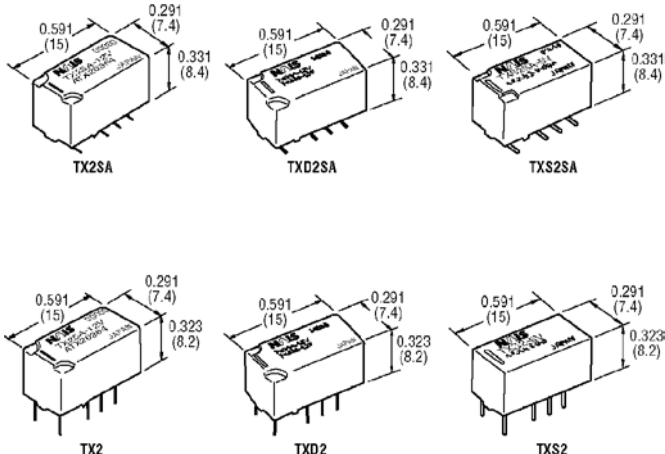


**TX Series High Capacity Relays**



2 amp. Breakdown Voltage: 2000 V between contacts and coil. Surge Voltage Withstand: 2500 V (Bellcore). 2 Form C contact arrangement. TXD is high insulation type; TXS is high sensitivity type. Operating Temperature: -40°C to +85°C. UL/CSA.

**Surface Mount**  
 Single Side Stable

Stock No.	Mfr.'s Type	Volts (DC)	Coil (Ω)	Power (mW)	EACH		
					1-49	50-99	100-499
788-1105	TX2SA-4.5V	4.5	145.0	140	3.00	2.10	1.89
788-1034	TX2SA-5V	5.0	178.0	140	3.00	2.10	1.89
788-1106	TX2SA-12V	12.0	1028.0	140	3.00	2.10	1.89
788-1107	TX2SA-24V	24.0	4114.0	140	3.54	2.48	2.23
788-1119	TXD2SA-4.5V	4.5	101.3	200	3.87	2.71	2.43
788-1120	TXD2SA-5V	5.0	125.0	200	3.87	2.71	2.43
788-1121	TXD2SA-12V	12.0	720.0	200	3.87	2.71	2.43
788-1122	TXD2SA-24V	24.0	2504.3	230	4.38	3.06	2.76
788-1137	TXS2SA-4.5V	4.5	405.0	50	3.72	2.61	2.35
788-1138	TXS2SA-12V	12.0	2880.0	50	3.72	2.61	2.35
788-1139	TXS2SA-24V	24.0	8229.0	70	4.41	3.08	2.78

**1 Coil Latching**

788-1123	TXD2SA-L-4.5V	4.5	135.0	150	4.33	3.03	2.72
788-1124	TXD2SA-L-5V	5.0	166.7	150	4.33	3.03	2.72
788-1125	TXD2SA-L-12V	12.0	960.0	150	4.33	3.03	2.72
788-1126	TXD2SA-L-24V	24.0	3388.2	170	4.72	3.30	2.98
788-1140	TXS2SA-L-4.5V	4.5	579.0	35	4.26	2.98	2.69
788-1141	TXS2SA-L-12V	12.0	4114.0	35	4.26	2.98	2.69
788-1142	TXS2SA-L-24V	24.0	11520.0	50	4.50	3.15	2.84

**2 Coil Latching**

788-1108	TX2SA-L2-4.5V	4.5	101.2	200	3.72	2.61	2.35
788-1035	TX2SA-L2-5V	5.0	145.0	200	3.72	2.61	2.35
788-1109	TX2SA-L2-12V	12.0	720.0	200	3.72	2.61	2.35
788-1110	TX2SA-L2-24V	24.0	2880.0	200	4.18	2.93	2.63
788-1143	TXS2SA-L2-4.5V	4.5	289.0	70	4.38	3.08	2.78
788-1144	TXS2SA-L2-12V	12.0	2057.0	70	4.41	3.08	2.78
788-1145	TXS2SA-L2-24V	24.0	3840.0	150	5.01	3.51	3.16

**Through Hole**  
 Single Side Stable

788-1100	TX2-4.5V	4.5	145.0	140	2.90	2.03	1.82
788-1031	TX2-5V	5.0	178.0	140	2.90	2.03	1.82
788-1030	TX2-12V	12.0	1028.0	140	2.90	2.03	1.82
788-1101	TX2-24V	24.0	4114.0	140	3.44	2.41	2.17
788-1111	TXD2-4.5V	4.5	101.3	200	3.72	2.61	2.35
788-1112	TXD2-5V	5.0	125.0	200	3.72	2.61	2.35
788-1113	TXD2-12V	12.0	720.0	200	3.72	2.61	2.35
788-1114	TXD2-24V	24.0	2504.3	230	4.23	2.97	2.67
788-1033	TXS2-4.5V	4.5	405.0	50	3.63	2.54	2.29
788-1127	TXS2-6V	6.0	720.0	50	3.63	2.54	2.29
788-1128	TXS2-12V	12.0	2880.0	50	3.63	2.54	2.29
788-1129	TXS2-24V	24.0	8229.0	70	4.27	2.99	2.68

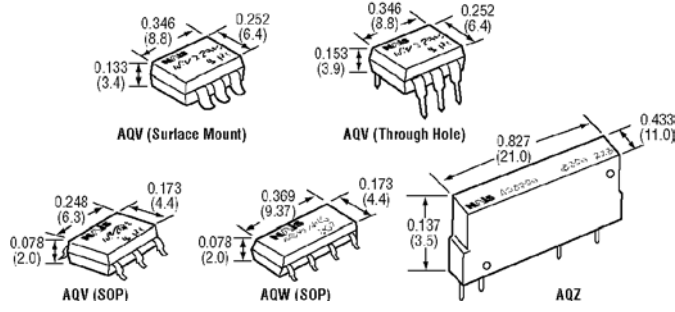
**1 Coil Latching**

788-1115	TXD2-L-4.5V	4.5	135.0	150	4.21	2.95	2.65
788-1116	TXD2-L-5V	5.0	166.7	150	4.25	2.95	2.65
788-1117	TXD2-L-12V	12.0	960.0	150	4.21	2.95	2.65
788-1118	TXD2-L-24V	24.0	3388.2	170	4.63	3.24	2.92
788-1130	TXS2-L-4.5V	4.5	579.0	35	4.15	2.91	2.61
788-1131	TXS2-L-6V	6.0	1029.0	35	10.13	7.10	6.37
788-1132	TXS2-L-12V	12.0	4114.0	35	4.27	2.99	2.69
788-1133	TXS2-L-24V	24.0	11520.0	50	4.91	3.44	3.10

**2 Coil Latching**

788-1102	TX2-L2-4.5V	4.5	101.2	200	3.63	2.54	2.29
788-1032	TX2-L2-5V	5.0	145.0	200	3.63	2.54	2.29
788-1103	TX2-L2-12V	12.0	720.0	200	3.63	2.54	2.29
788-1104	TX2-L2-24V	24.0	2880.0	200	4.09	2.86	2.57
788-1135	TXS2-L2-12V	12.0	2057.0	70	3.63	2.54	2.28
788-1136	TXS2-L2-24V	24.0	3840.0	150	4.09	2.86	2.58

**PhotoMOS Solid State Relays**



Combine the advantages of solid state and mechanical relays and offer excellent performance in a complete line-up. Through hole and surface mount types, SOP types, high isolation types, H in Mfr.'s type indicates reinforced I/O isolation types. Low capacitance type (CxR=20). Power PhotoMOS types. Also, high sensitivity, multi-channel, Soft-ON/Soft-OFF types. Current limiting types.

**Surface Mount**

Stock No.	Mfr.'s Type	Volts AC/DC	On (Ω)	Output Power (mW)	Contact Arrangement	EACH		
						1-49	50-99	100-499
788-1146	AQV101A	40	0.50	360	1 Form A	5.61	3.93	3.53
788-1147	AQV102A	60	0.70	360	1 Form A	5.61	3.93	3.53
788-1148	AQV201A	40	1.00	360	1 Form A	6.31	4.41	3.97
788-1149	AQV203A	250	8.00	360	1 Form A	6.31	4.41	3.97
788-1150	AQV210EA	350	35.00	500	1 Form A	2.44	1.71	1.54
788-1151	AQV212A	60	2.50	500	1 Form A	3.86	2.70	2.43
788-1152	AQV214A	400	50.00	500	1 Form A	3.86	2.70	2.43
788-1153	AQV214EA	400	50.00	500	1 Form A	2.66	1.86	1.68
788-1154	AQV214EHA	400	50.00	500	1 Form A	2.66	1.87	1.68
788-1155	AQV221A	40	35.00	230	1 Form A	4.33	3.03	2.72
788-1156	AQV234A	400	50.00	500	1 Form A	4.99	3.50	3.14
788-1157	AQV251A	40	1.00	360	1 Form A	4.87	3.41	3.07
788-1158	AQV252A	60	1.40	360	1 Form A	4.87	3.41	3.07
788-1159	AQV253A	250	8.00	360	1 Form A	4.87	3.41	3.07
788-1160	AQV254A	400	16.00	360	1 Form A	4.87	3.41	3.07
788-1167	AQW614A	400	50.00	800	1 Form A	8.06	5.64	5.08
788-1161	AQV414A	400	50.00	500	1 Form B	4.27	2.99	2.68
788-1162	AQV414EHA	400	50.00	500	1 Form B	4.26	2.98	2.68
788-1168	AQW614EHA	400	50.00	800	1 Form B	5.46	3.82	3.44
788-1163	AQW214A	400	50.00	800	2 Form A	6.43	4.50	4.05
788-1164	AQW214EHA	400	50.00	800	2 Form A	5.59	3.91	3.52
788-1165	AQW414A	400	50.00	800	2 Form B	8.06	5.64	5.08
788-1166	AQW414EHA	400	50.00	800	2 Form B	6.95	4.87	4.37

**Through Hole**

788-1248	AQV101	40	0.50	360	1 Form A	5.61	3.93	3.53
788-1249	AQV102	60	0.70	360	1 Form A	5.61	3.93	3.53
788-1250	AQV201	40	1.00	360	1 Form A	6.31	4.41	3.97
788-1251	AQV203	250	8.00	360	1 Form A	6.31	4.41	3.97
788-1036	AQV210E	350	35.00	500	1 Form A	2.42	1.70	1.53
788-1037	AQV210EH	350	35.00	500	1 Form A	2.60	1.83	1.64
788-0250	AQV210S	350	35.00	600	2 Form A	6.39	4.79	4.36
788-1252	AQW212	60	2.50	500	1 Form A	3.86	2.70	2.43
788-1253	AQV214	400	50.00	500	1 Form A	3.86	2.70	2.43
788-1254	AQV214E	400	50.00	500	1 Form A	2.42	1.70	1.53
788-1039	AQV214EH	400	50.00	500	1 Form A	2.60	1.83	1.64
788-1255	AQV221	40	35.00	230	1 Form A	4.30	3.03	2.71
788-1257	AQV234	400	50.00	500	1 Form A	4.98	3.51	3.14
788-1256	AQV251	40	1.00	360	1 Form A	4.87	3.41	3.07
788-1041	AQV252	60	1.40	360	1 Form A	4.87	3.41	3.07
788-1258	AQV253	250	8.00	360	1 Form A	4.87	3.41	3.07
788-1259	AQV254	400	16.00	360	1 Form A	4.87	3.41	3.07
788-1266	AQW614	400	50.00	800	1 Form A	8.06	5.64	5.08
788-1260	AQV414	400	50.00	500	1 Form B	4.27	2.99	2.68
788-0245	AQV414E	400	20.00	450	1 Form B	3.58	2.69	2.44
788-0250	AQV414EA	400	20.00	450	1 Form B	3.58	2.69	2.44
788-1261	AQV414EH	400	50.00	500	1 Form B	4.12	2.88	2.59
788-1267	AQW614EH	400	50.00	800	1 Form B	5.73	4.01	3.61
788-0230	AQW210EH	350	35.00	450	2 Form A	4.90	3.67	3.34
788-0235	AQW210EHA	350	35.00	450	2 Form A	4.90	3.67	3.34
788-1262	AQW214	400	50.00	800	2 Form A	6.43	4.50	4.05
788-0255	AQY210EH	350	35.00	450	1 Form A	2.54	1.90	1.73
788-0240	AQW214EH	400	50.00	800	2 Form A	5.58	3.89	3.54
788-1264	AQW414	400	50.00	800	2 Form B	9.40	6.58	5.92
788-1265	AQW414EH	400	50.00	800	2 Form B	6.95	4.87	4.37

**SOP Types**

788-1169	AQV210S	350	35.00	450	1 Form A	4.09	2.86	2.57
788-1170	AQV212S	60	2.50	450	1 Form A	4.09	2.86	2.57
788-1040	AQV214S	400	50.00	450	1 Form A	4.09	2.86	2.57
788-1171	AQW210TS	350	35.00	450	2-Channel	5.64	3.95	3.55
788-1172	AQW214S	400	50.00	450	2-Channel	6.87	4.81	4.33
788-0265	AQY210S	350	35.00	300	1 Form A	3.94	2.96	2.69
788-0270	AQY214S	400	50.00	300	1 Form A	3.94	2.96	2.69
788-0275	AQY414S	400	50.00	300	1 Form B	4.40	3.30	3.00
788-1173	AQV414S	400	50.00	450	1 Form B	4.56	3.19	2.87

**AQZ Power PhotoMOS Relays**

788-1174	AQZ102	60	0.09	1350	1 Form A	8.41	5.88	5.30
788-1175	AQZ202	60	0.18	1600	1 Form A	9.13	6.39	5.75
788-1176	AQZ204	400	3.20	1600	1 Form A	9.13	6.39	5.75
788-1177	AQZ205	100	0.34	1600	1 Form A	8.69	6.08	5.47
788-1178	AQZ207	200	1.10	1600	1 Form A	8.69	6.08	5.47