

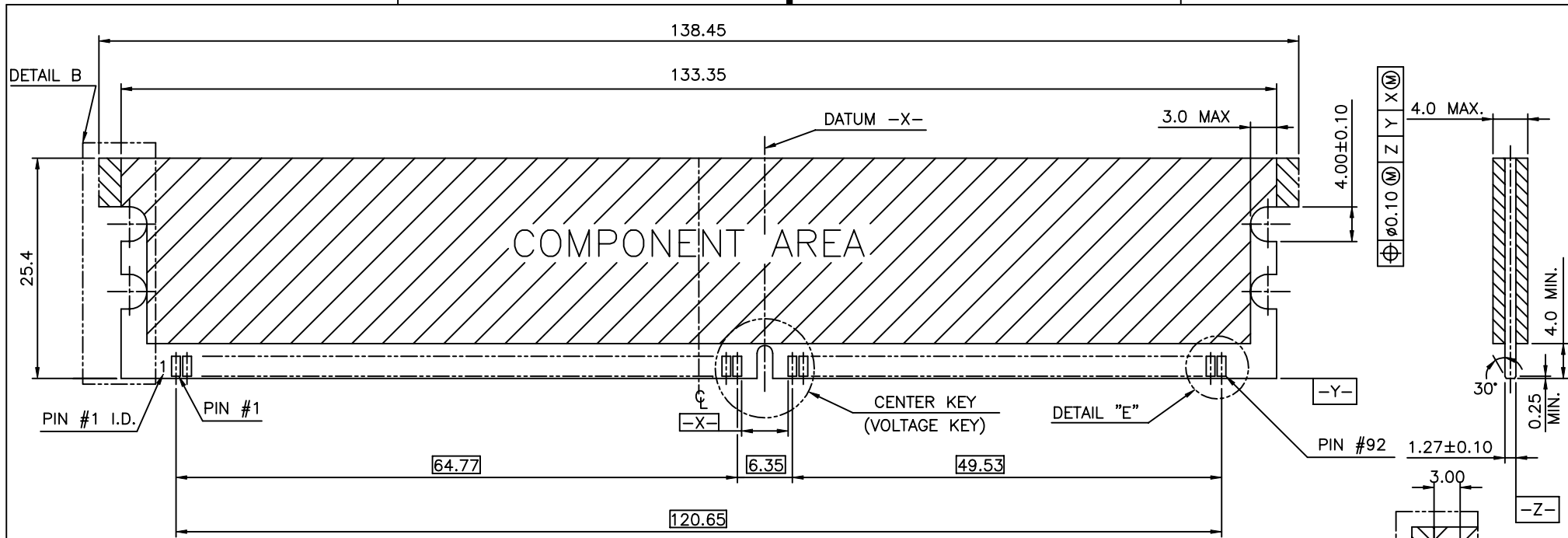
NOTES:

- MATERIAL:
 - HOUSING: HIGH PERFORMANCE RESINS, GLASS FILLED UL94V-0 RATED, COLOR BLACK.
 - EJECTOR: HIGH PERFORMANCE RESINS, GLASS FILLED UL94V-0 RATED, COLOR NATURAL.
 - TAIL GUIDE: HIGH PERFORMANCE RESINS, GLASS FILLED UL94V-0 RATED, COLOR BLACK.
 - TERMINAL: PHOSPHOR BRONZE.
 - METAL CLIP: PHOSPHOR BRONZE.
- FCI LOGO TO BE APPROXIMATELY LOCATED AS SHOWN ON PRINT.
- PERFORMANCE TO BE TESTED PER GS-12-066.
- PACKAGING PER GS-14-376.
- HAIR CRACK IS ACCEPTED, BUT NG FOR THAT WITH APPARENT GAP.
- THE TERMINAL ROW 4 TAIL LENGTH (DIM."C") IS ALLOWED AT 3.15 ± 0.25 AT OUTSIDE POSITION.
- THE DATE CODE IS SHOWN "MM-DD-YY".

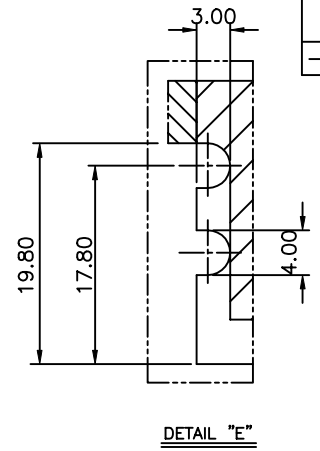
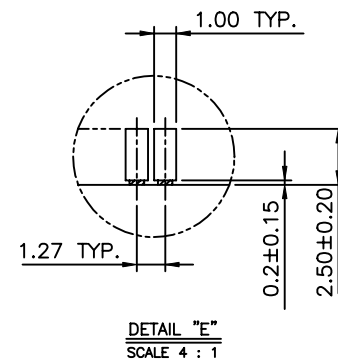
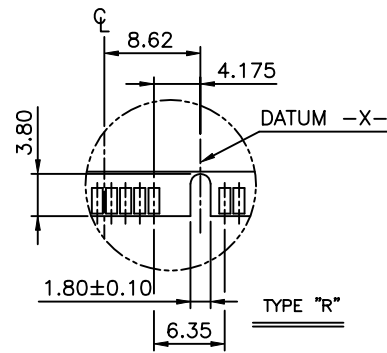
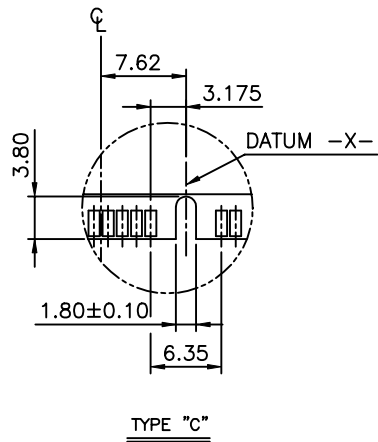
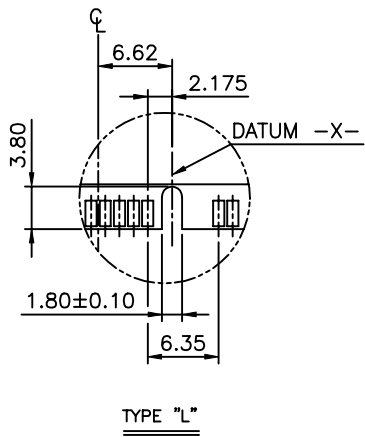
mat'l. code				tolerances unless otherwise specified		CUSTOMER COPY		FCI	
ltr	ecn no	dr	date	linear	.X ± 0.38	projection	title		
A	T03-0020	M W	01/17/03		.XX ± 0.25		DDR 184P		
B	T03-0194	M W	05/23/03		.XXX ± 0.13		R/A ASS'Y METAL CLIP		
C	T04-0145	M W	04/08/04	angles	0° ± 2°		product family	DDR	code
D	T05-0070	M W	04/01/05	dr	MAGGIE WU 01/16/02		size	dwg no	TWN
				enr	R Y LIU 01/16/02	scale	57997		sheet
				chr	YUWEN CHU 01/16/02	1:1	A4		1 of 4
				appd	JENN TSAO 01/16/02				
sheet index	revision sheet	D	A	A	D				
		1	2	3	4				

Tous droits strictement réservés. Reproduction ou communication a des tiers interdite sous quelque forme que ce soit sans autorisation écrite du propriétaire. Propriété de c FCI. Droits de reproduction FCI.

All rights strictly reserved. Reproduction or issue to third parties in any form whatever is not permitted without written authority from the proprietor. Property of FCI. Copyright FCI.



RECOMMENDED MODULE LAYOUT



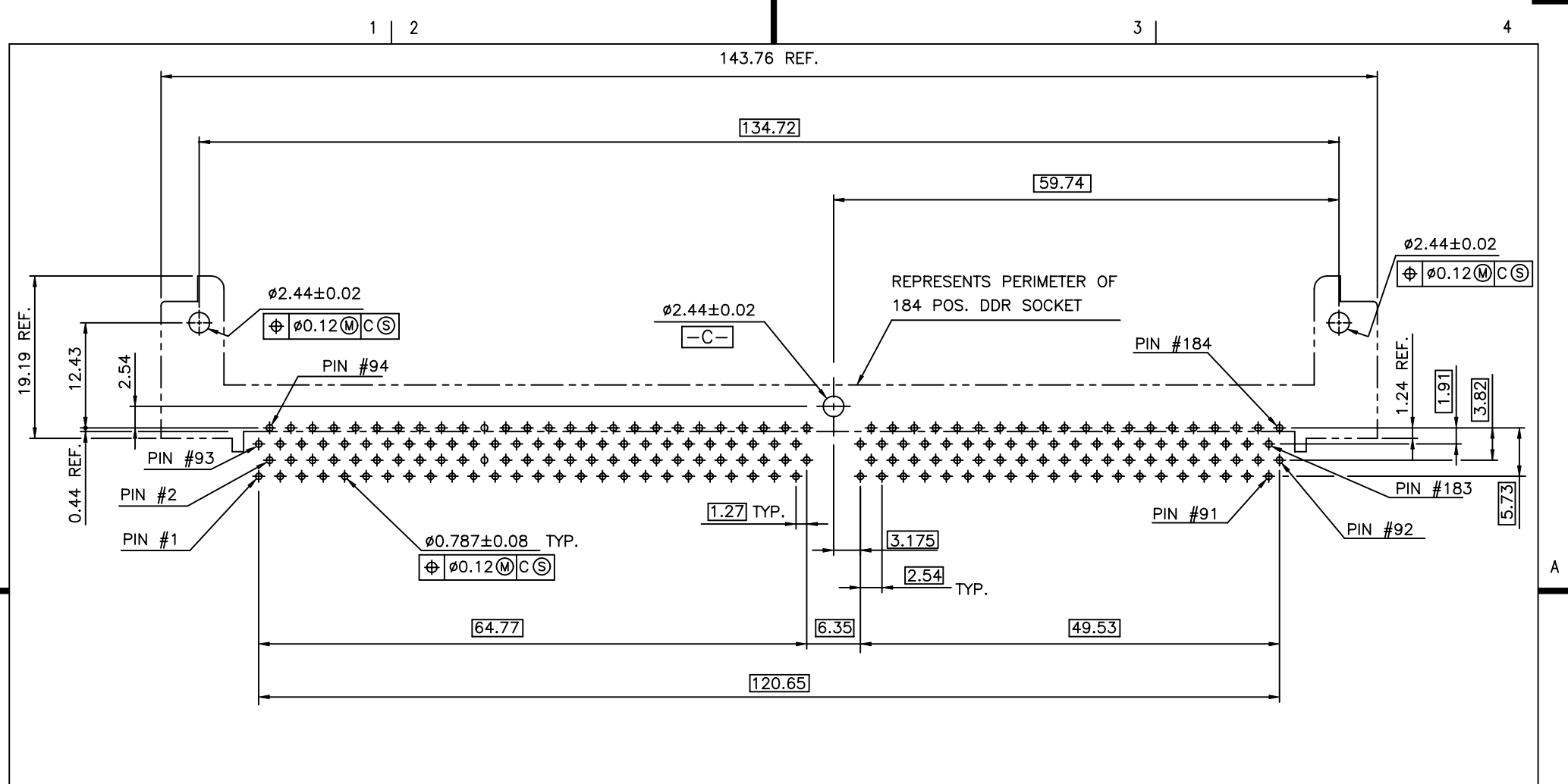
TYPE "R"	3.3 VOLT.
TYPE "L"	2.5 VOLT.
TYPE "C"	1.8 VOLT.
CENTER KEY	DESCRIPTION

CONFIDENTIAL

mat'l. code				tolerances unless otherwise specified			CUSTOMER COPY		 www.fciconnect.com	
ltr	ecn no	dr	date	linear	.X ± 0.38		projection	title		
A					.XX ± 0.25			DDR 184P		
				angles	.XXX ± 0.13		 MM	R/A ASS'Y METAL CLIP		
					0° ±2°			product family		code
				dr	MAGGIE WU	01/16/02	scale	DDR		TWN
				enr	R Y LIU	01/16/02		size		dwg no
				chr	YUWEN CHU	01/16/02		A4		57997
				appd	JENN TSAO	01/16/02		sheet		2 of
sheet index	revision sheet									

Tous droits strictement reserves. Reproduction ou communication a des tiers interdite sous quelque forme que ce soit sans autorisation ecrite du proprietaire. Propriete de c FCI. Droits de reproduction FCI.

All rights strictly reserved. Reproduction or issue to third parties in any form whatever is not permitted without written authority from the proprietor. Property of FCI. Copyright FCI.



RECOMMENDED CIRCUIT BOARD HOLE LAYOUT

CONFIDENTIAL

mat'l. code				tolerances unless otherwise specified			CUSTOMER COPY		 www.fciconnect.com	
ltr	ecn no	dr	date	linear	.X ± 0.38		projection	title DDR 184P R/A ASS'Y METAL CLIP		
A					.XX ± 0.25					
				angles	.XXX ± 0.13		 MM	product family		code
					0° ± 2°			DDR		TWN
				dr	MAGGIE WU	01/16/02	scale	size		sheet
				enr	R Y LIU	01/16/02		dwg no		3 of
				chr	YUWEN CHU	01/16/02		A4		
				appd	JENN TSAO	01/16/02		57997		
sheet index	revision sheet						1.5:1			

Tous droits strictement reserves. Reproduction ou communication a des tiers interdite sous quelque forme que ce soit sans autorisation ecrite du proprietaire. Propriete de c FCI. Droits de reproduction FCI.

5 7 9 9 7 - □ □ □ □ □

STYLE

- 1 : FOR 3.3 VOLT.
- 2 : FOR 2.5 VOLT.
- 3 : FOR 1.8 VOLT.

PEG TYPE

- 0 : WITH METAL CLIP + DIM."D"=3.45.
- 1 : WITH METAL CLIP + DIM."D"=3.85.

TAIL LENGTH

CODE	DIM. "B"	DIM. "C"
0	2.54	2.39
1	3.30	3.15

PLATING

CODE	CONTACT	SOLDERTAIL	UNDERPLATE
2	15μ"(0.38μm) MIN. GOLD	100μ"(2.54μm) MIN. TIN/LEAD	50μ" (1.27μm) MIN. NICKEL OVERALL
3	30μ"(0.76μm) MIN. GOLD		
4	3μ" (0.076μm) MIN. GOLD	100μ"(2.54μm) MIN. 100% TIN	
2LF	15μ"(0.38μm) MIN. GOLD		
3LF	30μ"(0.76μm) MIN. GOLD		
4LF	3μ" (0.076μm) MIN. GOLD		

COLOR OF HOUSING AND EJECTOR

0 : BLACK HOUSING + IVORY EJECTOR + BLACK TAIL GUIDE

CONFIDENTIAL

mat'l. code				tolerances unless otherwise specified			CUSTOMER COPY		FCI www.fciconnect.com	
ltr	ecn no	dr	date	linear	.X ± 0.38		projection	title		
D					.XX ± 0.25			DDR 184P		
				angles	.XXX ± 0.13			R/A ASS'Y METAL CLIP		
					0° ± 2°			product family DDR		
				dr	MAGGIE WU	01/16/02	← MM →	size	DDR	code
				enr	R Y LIU	01/16/02		dwg no		TWN
				chr	YUWEN CHU	01/16/02	scale	A4	57997	sheet
				appd	JENN TSAO	01/16/02				
sheet index	revision sheet									

All rights strictly reserved. Reproduction or issue to third parties in any form whatever is not permitted without written authority from the proprietor. Property of FCI. Copyright FCI.