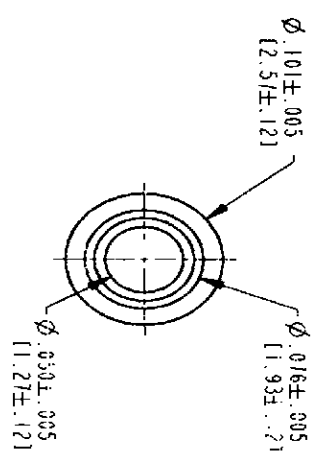
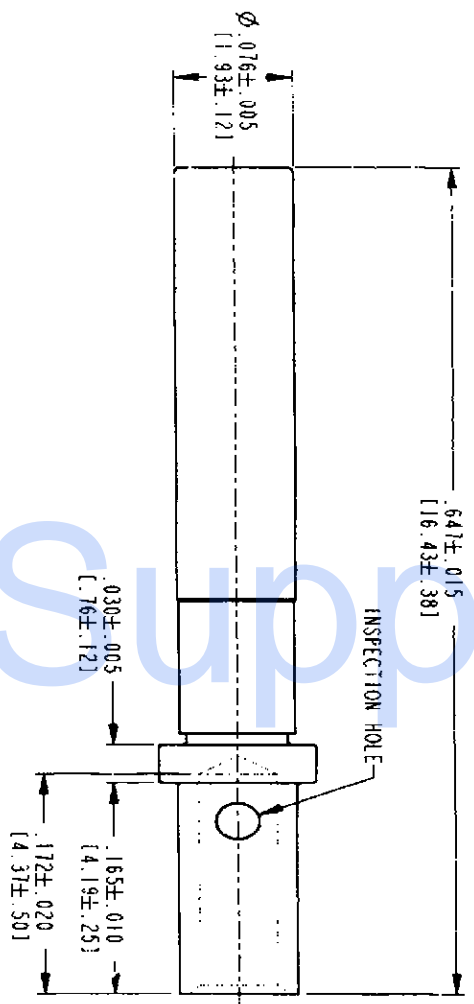


REV	A	D462-201-20	DESCRIPTION
SYM	NC	NEW RELEASE PER I.O. A14616	6/27/94
REVISED PER I.O.	A	REVISED PER I.O. P15936	5/25/11



- FOR CONTACT PERFORMANCE AND APPLICATION CHARACTERISTICS SEE DRAWING 0425-015-0000.
- FOR CRIMPING INFORMATION SEE DRAWING 0425-205-0000.
- WHEN ** = 31: PLATING IS GOLD OVER NICKEL.
WHEN ** = 141: PLATING IS NICKEL.
- DIMENSIONS ARE IN INCHES (mm).

OR	D. MEYER	4/16/59	SIGNATURE & DATE
CHK	<i>[Signature]</i>	5/27/59	
RE	D. MEYER	4/22/59	
APPD	<i>[Signature]</i>	5-25-59	
SCALE	12:1	WT	

CONTACT SOCKET
SIZE 20
ENVELOPE

CP	DATE	11/35
The Deutsch Company DEUTSCH I. P. D. 3850 INDUSTRIAL AVE. HEMET, CALIF. 92345		
B	0462-201-20	**
DWG	CODE	SHEET 1 OF 1