

DESCRIPTION: Relay, Dry Reed, AXIAL. 150 OHM, 6.0 VDC COIL WITH E/S SHIELD.

COTO PART NUMBER

1240-06-2104

Notes:

- 1) All parameters specified per EIA/NARM standards for dry reed relays NO RS-421 & RS-436 unless otherwise noted, all parameters specified @ 25 deg. C & 40% R.H.

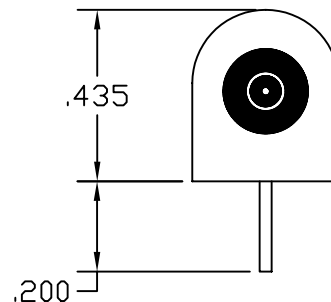
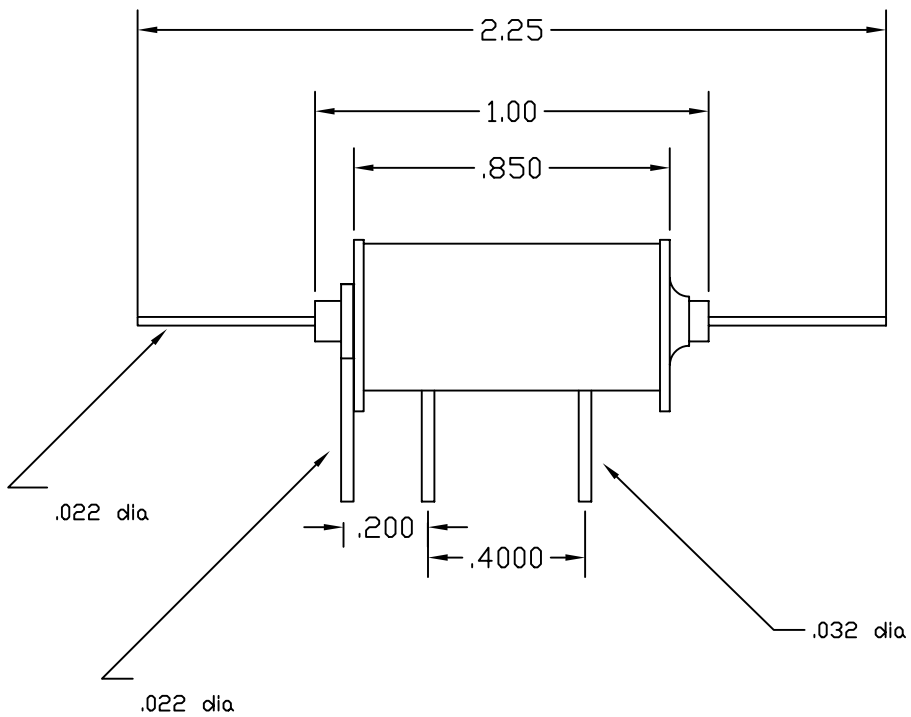
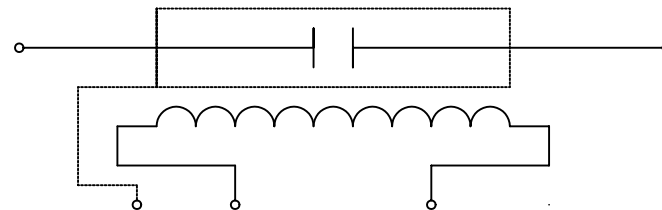
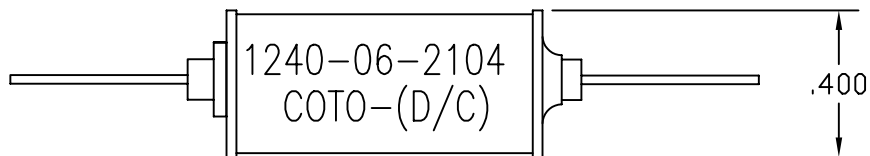
ELECTRICAL

TEST PARAMETERS		TEST CONDITIONS (note 1)	MIN.	NOM.	MAX.	UNITS
COIL RESISTANCE			135	150	165	OHMS
NOMINAL VOLTAGE				6.0	8.0	VOLTS
MUST OPERATE					4.5	VOLTS
MUST RELEASE			0.5			VOLTS
SWITCHING VOLTAGE					200	VOLTS
SWITCHING CURRENT					0.5	AMPS
CARRY CURRENT					1.0	AMPS
CONTACT RATING (SWITCHING)					10.0	WATTS
LIFE EXPECTANCY (note 2)	SIGNAL LOAD	1 VOLT 10 mAMPS		100E6		OPERATIONS
	MEDIUM LOAD	350 V, 35 mAMPS		5E6		OPERATIONS
	HIGH LOAD	CONTACT FACTORY		N/A		OPERATIONS
STATIC CONTACT RESISTANCE		NOM. VOLT COIL DRIVE 0.050 VOLTAS , 10 Ma 50 mSec AFTER COIL ENERG.			.100	OHMS
INSULATION RESISTANCE	ACROSS OPEN CONTACTS	AT 100 VDC	1E14			OHMS
	CONTACT TO COIL		1E14			OHMS
	COIL TO SHIELD		N/A			OHMS
	CONTACT TO SHIELD		N/A			OHMS
CAPACITANCE	CONTACT GAP	SHIELD GUARDED		0.2		ρ F
CAPACITANCE	OPEN CONTACTS	SHIELD GUARDED		N/A		ρ F
CAPACITANCE	CONTACT TO COIL	SHIELD GUARDED		N/A		ρ F
DIELECTRIC STRENGTH	CONTACT GAP	DC/ PEAK AC	250			VOLTS
	CONTACT TO SHIELD	DC/ PEAK AC	N/A			VOLTS
	CONTACT TO COIL	DC/ PEAK AC	1000			VOLTS
OPERATE TIME (INCLUDING BOUNCE)		AT NOMINAL VOLTAGE 30 Hz SQUARE WAVE		1.0		mSEC
RELEASE TIME (ZENER DIODE SUPPRESSION)				0.1		mSEC
ENVIRONMENTAL						
STORAGE TEMPERATURE			-35		+100	° C
OPERATING TEMPERATURE			-20		+85	° C

APPROVAL:	CUST: N/A
ENG: LMC	CUST P/N: N/A
REV.	TYPE: 1 FORM A
DATE: 9/29/99	COTO P/N: 1240-06-2104
COTO 55 DUPONT DR. PROVIDENCE R.I.	

PART NUMBER

1240-06-2104



	SCALE: N/A	CUST P/N: COTO STANDARD
	DECIMAL: N/A	NAME: 1 FORM A
DATE: 9/29/99	FRACTIONS: N/A	PART NO.: 1240-06-2104
ENG: ST	COTO 55 DUPONT DR. PROVIDENCE R.I.	