



DC COMPONENTS CO., LTD.

RECTIFIER SPECIALISTS

1N5391G
THRU
1N5399G

TECHNICAL SPECIFICATIONS OF GLASS PASSIVATED RECTIFIER

VOLTAGE RANGE - 50 to 1000 Volts

CURRENT - 1.5 Amperes

FEATURES

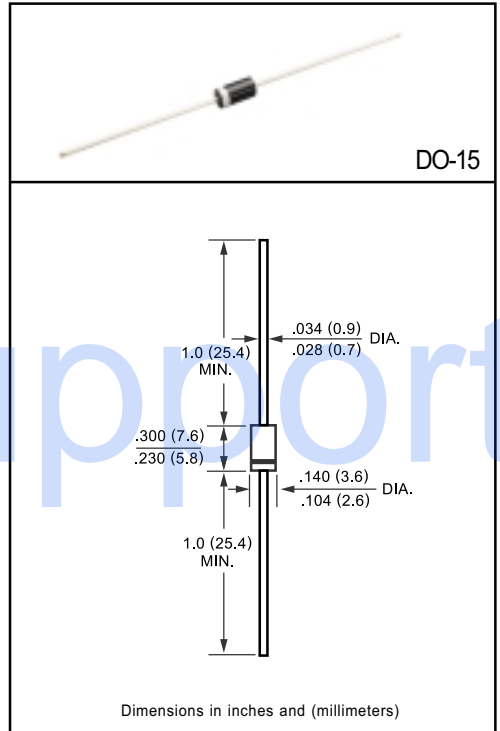
- * Low cost
- * Low leakage
- * Low forward voltage drop
- * High current capability

MECHANICAL DATA

- * Case: Molded plastic
- * Epoxy: UL 94V-0 rate flame retardant
- * Lead: MIL-STD-202E, Method 208 guaranteed
- * Polarity: Color band denotes cathode end
- * Mounting position: Any
- * Weight: 0.38 gram

MAXIMUM RATINGS AND ELECTRICAL CHARACTERISTICS

Ratings at 25 °C ambient temperature unless otherwise specified.
Single phase, half wave, 60 Hz, resistive or inductive load.
For capacitive load, derate current by 20%.



	SYMBOL	1N5391G	1N5392G	1N5393G	1N5395G	1N5397G	1N5398G	1N5399G	UNITS	
Maximum Recurrent Peak Reverse Voltage	V _{RRM}	50	100	200	400	600	800	1000	Volts	
Maximum RMS Voltage	V _{RMS}	35	70	140	280	420	560	700	Volts	
Maximum DC Blocking Voltage	V _{DC}	50	100	200	400	600	800	1000	Volts	
Maximum Average Forward Rectified Current at T _A = 75°C	I _O	1.5							Amps	
Peak Forward Surge Current 8.3 ms single half sine-wave superimposed on rated load (JEDEC Method)	I _{FSM}	50							Amps	
Maximum Instantaneous Forward Voltage at 1.5A DC	V _F	1.4							Volts	
Maximum DC Reverse Current at Rated DC Blocking Voltage	I _R	@ T _A = 25°C	5.0							uAmps
		@ T _A = 100°C	50							
Maximum Full Load Reverse Current Average, Full Cycle .375"(9.5mm) lead length at T _L = 75°C		30							uAmps	
Typical Junction Capacitance (Note)	C _J	20							pF	
Typical Thermal Resistance	R _{θJA}	50							°C/W	
Operating and Storage Temperature Range	T _J , T _{STG}	-65 to + 175							°C	

NOTES : Measured at 1 MHz and applied reverse voltage of 4.0 volts

RATING AND CHARACTERISTIC CURVES (1N5391G THRU 1N5399G)

FIG. 1 - TYPICAL FORWARD CURRENT DERATING CURVE

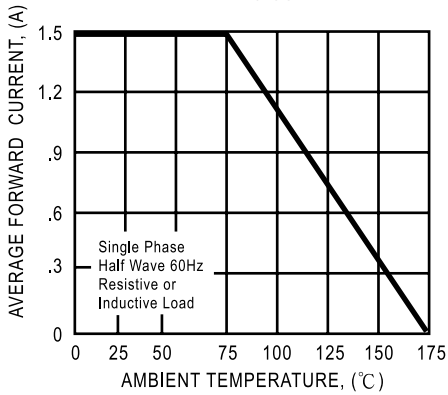


FIG. 2 - TYPICAL INSTANTANEOUS FORWARD CHARACTERISTICS

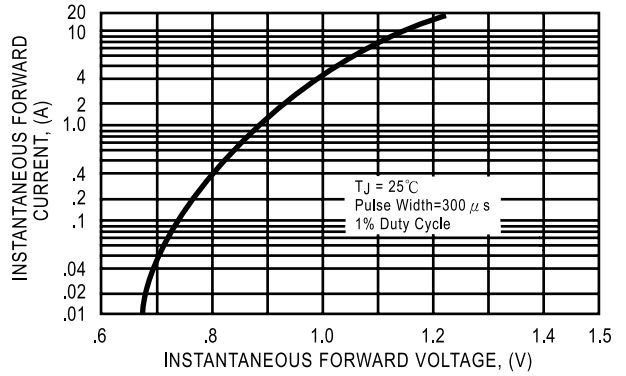


FIG. 3 - MAXIMUM NON-REPETITIVE FORWARD SURGE CURRENT

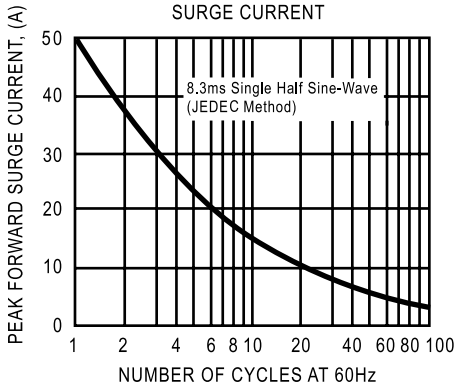


FIG. 4 - TYPICAL REVERSE CHARACTERISTICS

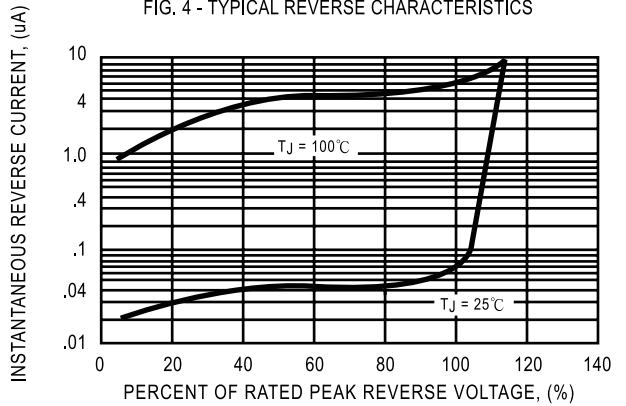
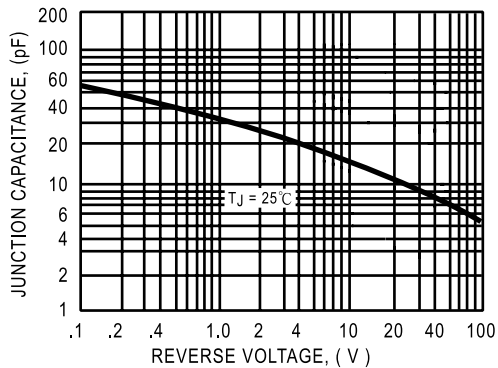


FIG. 5 - TYPICAL JUNCTION CAPACITANCE



DC COMPONENTS CO., LTD.