

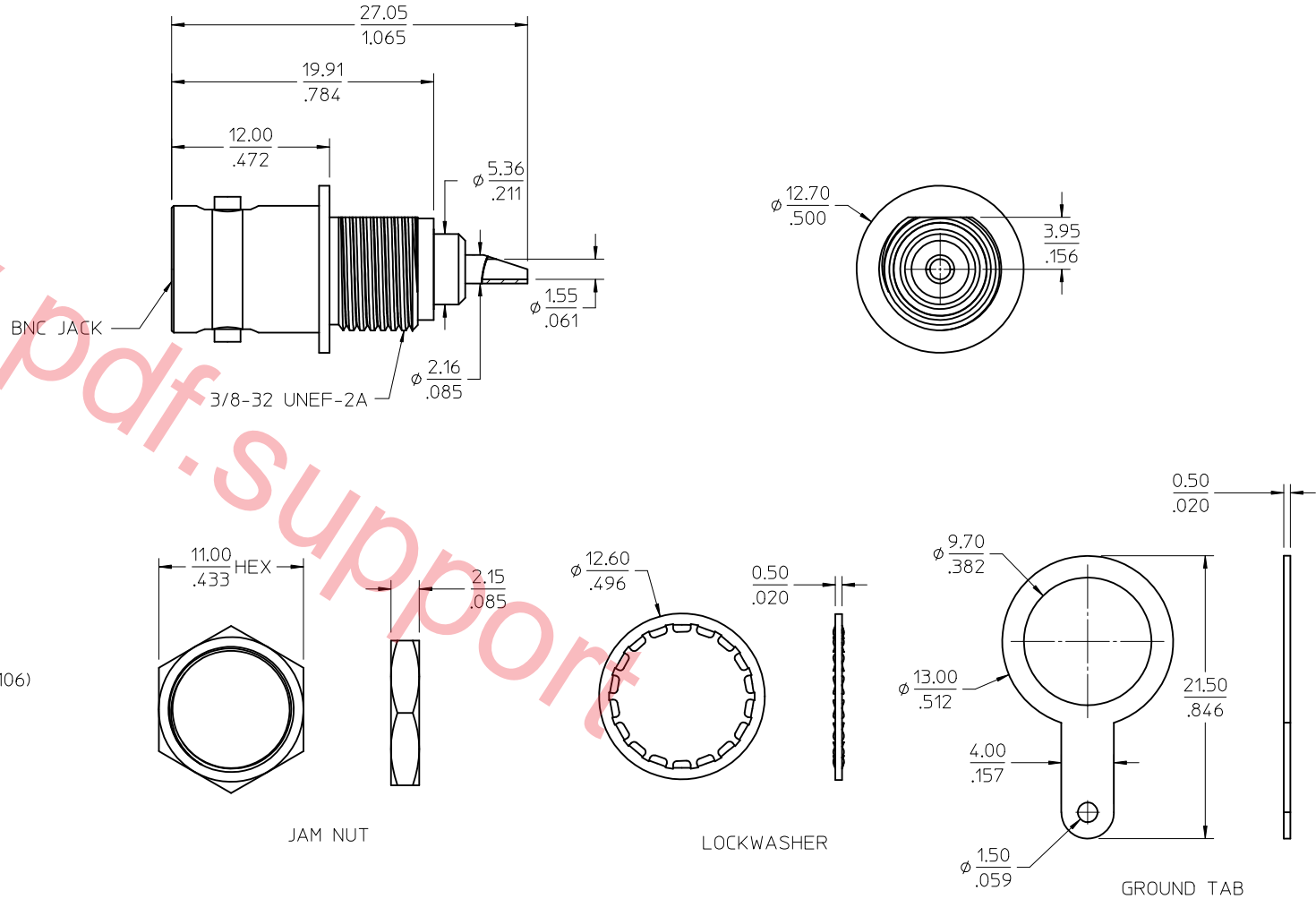
MATERIALS AND FINISHES

BODY, JAM NUT, GROUND TAB: BRASS
PLATED NICKEL

CONTACT: PHOSPHOR BRONZE
PLATED: GOLD

LOCKWASHER: PHOSPHOR BRONZE
PLATED NICKEL

INSULATOR: TEFLON



RECOMMENDED MOUNTING HOLE
MAXIMUM PANEL THICKNESS 2.7 (.106)

JAM NUT

LOCKWASHER

GROUND TAB

PART # 73119-5003

CHG: REDRAW IN SD CORRECTED PANEL CUTOUT DIMENSIONAL ERRORS EC. NO: URF2010-0309 DRAWN: JWIENER 2009/11/20 CHKD: SSHAH 2009/11/20 APPR: JWIENER 2009/11/20 G1	QUALITY SYMBOLS ▽=0 ▽=0	GENERAL TOLERANCES (UNLESS SPECIFIED) <table border="1"> <tr> <td></td> <td>mm</td> <td>INCH</td> </tr> <tr> <td>4 PLACES</td> <td>± .005</td> <td>± .0005</td> </tr> <tr> <td>3 PLACES</td> <td>± .005</td> <td>± .0005</td> </tr> <tr> <td>2 PLACES</td> <td>± .005</td> <td>± .0005</td> </tr> <tr> <td>1 PLACE</td> <td>± .005</td> <td>± .0005</td> </tr> </table> ANGULAR ± 2°		mm	INCH	4 PLACES	± .005	± .0005	3 PLACES	± .005	± .0005	2 PLACES	± .005	± .0005	1 PLACE	± .005	± .0005	DIMENSION STYLE MM/IN DRAWN BY IRIS WANG DATE 1991/01/18 CHECKED BY DATE APPROVED BY DATE	SCALE DESIGN UNITS METRIC THIRD ANGLE PROJECTION	TITLE BNC JACK RECEPTACLE BULKHEAD 50 OHM
		mm	INCH																	
	4 PLACES	± .005	± .0005																	
	3 PLACES	± .005	± .0005																	
2 PLACES	± .005	± .0005																		
1 PLACE	± .005	± .0005																		
DRAFT WHERE APPLICABLE MUST REMAIN WITHIN DIMENSIONS	MATERIAL NO. 731195003	DOCUMENT NO. SD-73119-5003	SHEET NO. 1 OF 1	MOLEX INCORPORATED																
THIS DRAWING CONTAINS INFORMATION THAT IS PROPRIETARY TO MOLEX INCORPORATED AND SHOULD NOT BE USED WITHOUT WRITTEN PERMISSION																				