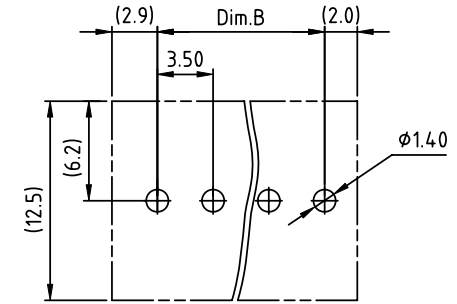
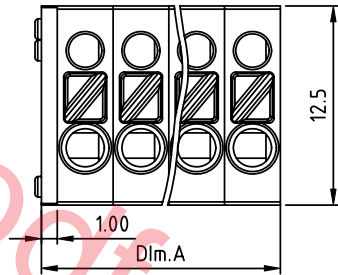
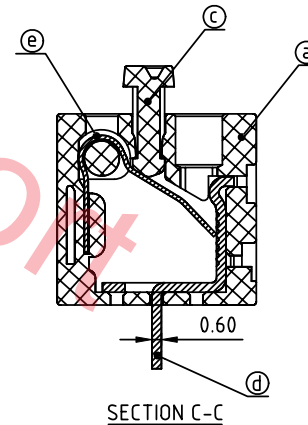
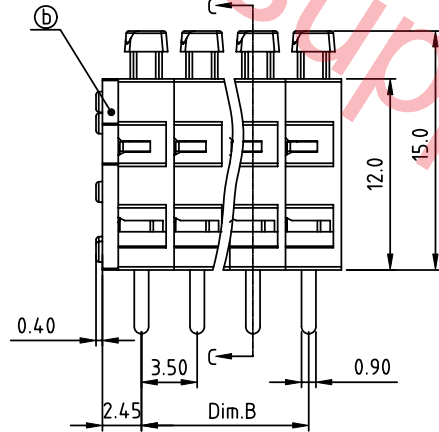
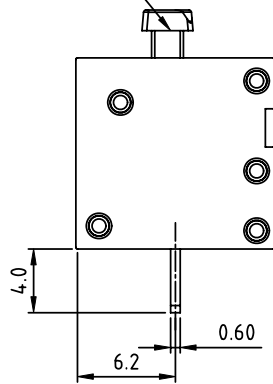


| | |
|----------------|---------|
| PRODUCT NUMBER | PITCH |
| HXxx21x100J0G | 3.50 mm |



The color of lever is consistent with body's



RECOMMENDED P.C.B LAYOUT
TOP VIEW

Material:

- Item (a) Terminal housing: Thermoplastic (UL94V-0)
- Item (b) Terminal cover: Thermoplastic (UL94V-0)
- Item (c) Lever: Thermoplastic (UL94V-0)
- Item (d) Solder pin: Brass, Tin plated
- Item (e) Spring clamp: Stainless steel

Electrical cULus

- Voltage rating: AC 300V
- Current rating: 10A
- Wire range:
- Solid wire(AWG): 16-26
- Stranded wire(AWG): 16-26
- Wire strip length: 7-8mm
- Withstanding Voltage: 1.6KV
- Operating temperature: -40°C to +115°C
- Soldering temperature: 260°C±5°C/5 Sec
- Safety Approval:

N=Number of poles
Dim.A=N×3.5+1.0
Dim.B=(N-1)×3.5

| Poles | Dim.A | Dim.B |
|--------|-------|-------|
| 2-6p | ±0.20 | ±0.15 |
| 7-12p | ±0.25 | ±0.20 |
| 13-18p | ±0.30 | ±0.25 |
| 19-24p | ±0.40 | ±0.30 |

PART NO.: HX xx 21 x 1 00J0 G

| | Color | RoHS compliant (lead<4%) In copper Alloy |
|-----------------|-------------------|--|
| End stackable 0 | Black (RAL9005) | |
| No. of poles 2 | Red (RAL3001/D) | |
| 02 2 poles 3 | Orange(RAL2011/P) | |
| 03 3 poles 4 | Yellow(RAL1018/A) | |
| 5 | Green(RAL6018/T) | |
| 24 24 poles 6 | Blue (RAL5015/A) | |
| | 8 Grey(RAL7004/P) | |
| | 9 White(RAL1102) | |
| | C Multiple colors | |

| | | | | | |
|--------------------|----------------|---------------------------------------|----------------------|------------|---|
| mat'l. code | | surface ASME Y14.5 | tolerance ASME Y14.5 | projection | product family |
| ltr ecn no dr date | | tolerances unless otherwise specified | | | TERMINAL BLOCK |
| | | angles | X.±0.5 | MM | title |
| | | X*±1° | X.X±0.3 | scale | TERMINAL BLOCK SPRING CLAMP,90D WIRE INLET SINGLE LINE CONTACT,B TYPE |
| | | dr | EVIN ZHONG 052614 | | dwg no |
| | | enr | EVIN ZHONG 052614 | | sheet 1 of 1 |
| | | chr | HANKE FENG 052614 | | size |
| | | appd | SHI JUN 052614 | | A4 |
| sheet index | revision sheet | A | 1 | | type |
| | | | | | CUSTOMER Drawing |