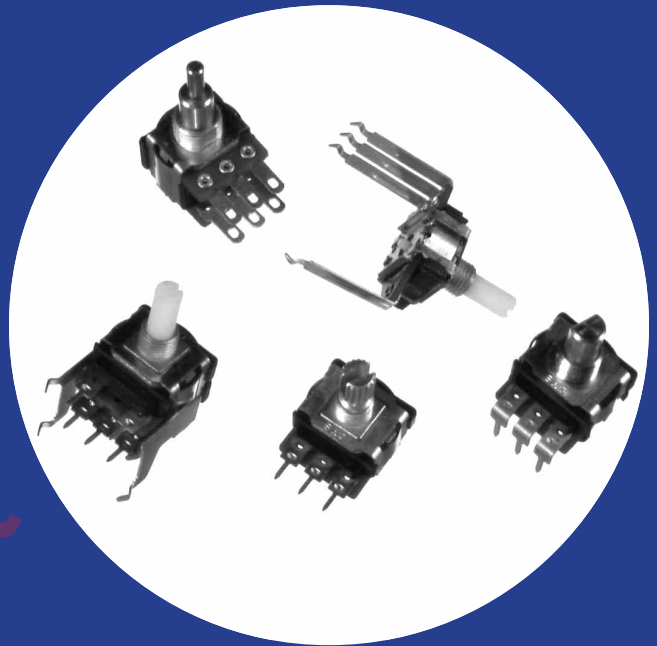


Commercial Miniature 16mm Diameter Composition Variable Resistors

- Miniature 16mm style
- Bushing mounted with PC terminals and shaft parallel or perpendicular to PC board
- Single or multiple section units
- Compatible with CTS 288 series rotary encoders

Available with:

- Molded or metal shafts
- Push Pull Switch
- Electrical taps
- Center detent



Electrical and Mechanical Specifications

Resistance Range

500 ohms through 5 megohms (linear taper).

Resistance Tolerance

Standard: $\pm 20\%$
Special tolerances available

Power Rating, Watts

$\frac{1}{4}$ watt per section through 10K ohms
 $\frac{1}{8}$ watt per section above 10K ohms
Full rating @ 55°C derated to no load at 85°C
for linear tapers (derating required on
multiple section controls).

Voltage Rating

Bushings to Terminals:
High pot test, one minute — 750 VAC
Operating maximum — 500 VDC
Across End Terminals:
350 VDC, load not to exceed power rating.

Insulation Resistance

100 megohms minimum dry

Angle of Rotation

Total Rotation:
Without switch — $300^\circ \pm 5^\circ$
Effective Rotation:
Without switch — 300° (approximate)

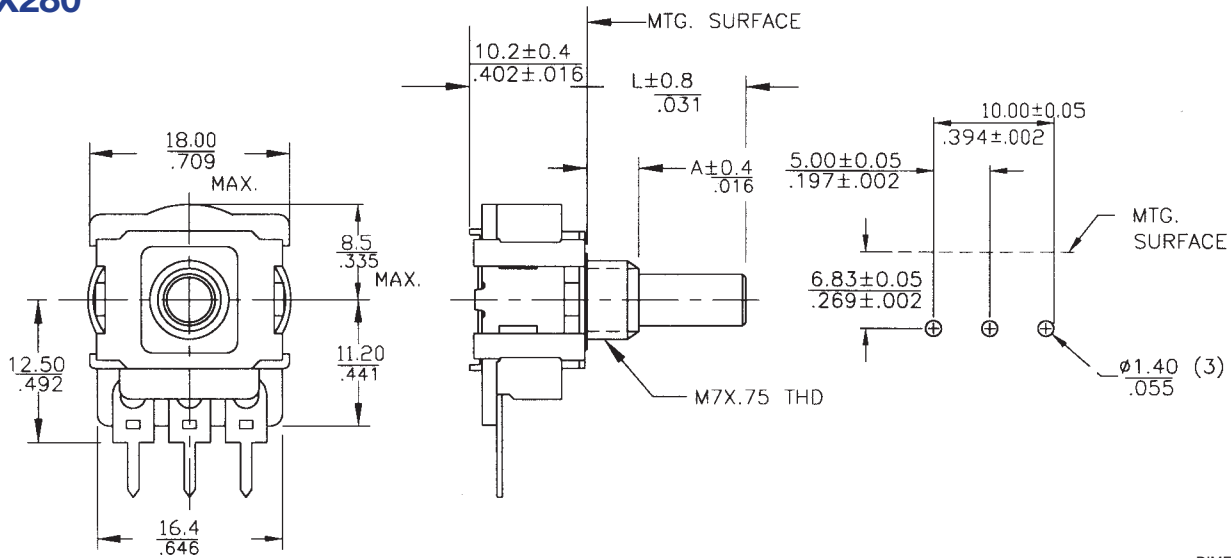
Rotation Torque

0.5-4 inch-ounces (36-288 gcm)

Switch Rating

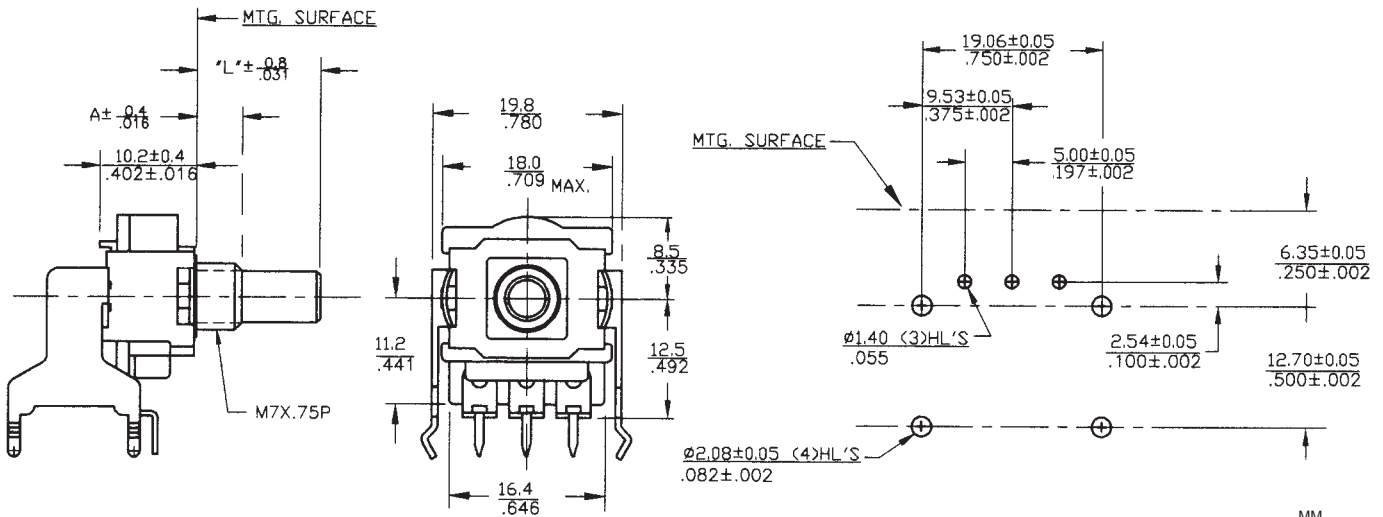
Push pull type: 50mA, 20VDC

X280



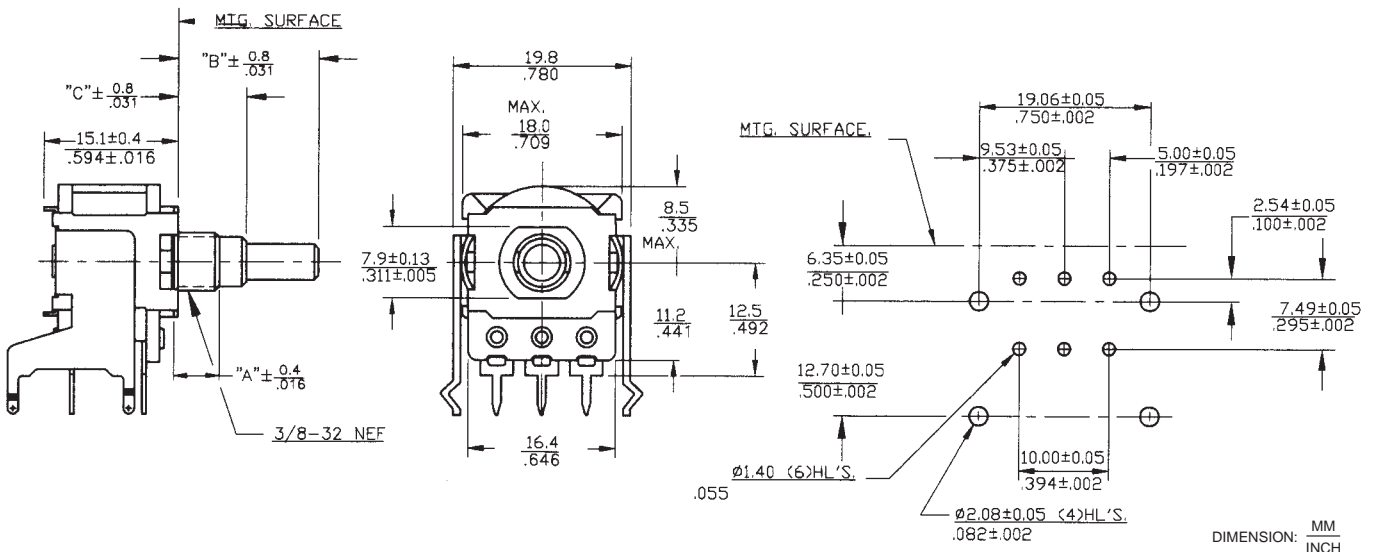
DIMENSION: $\frac{MM}{INCH}$

XB 280



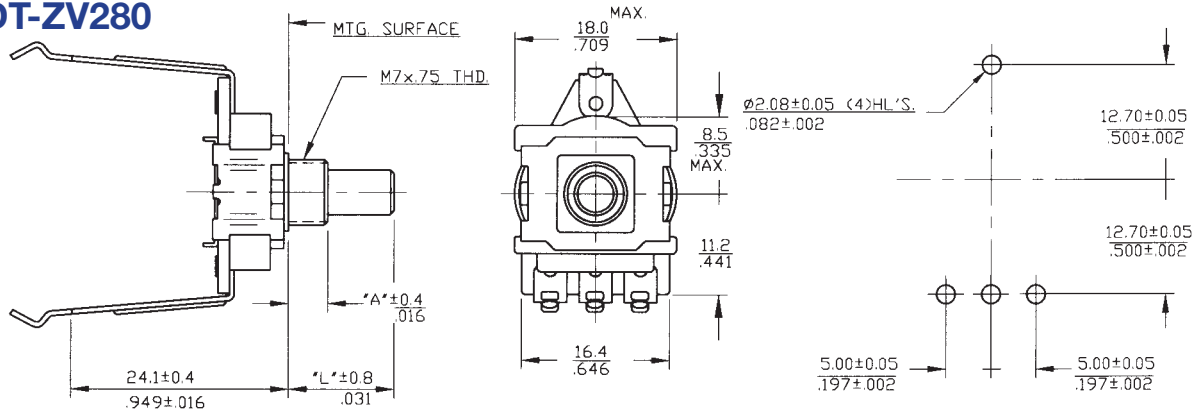
DIMENSION: $\frac{MM}{INCH}$

XB C2-280



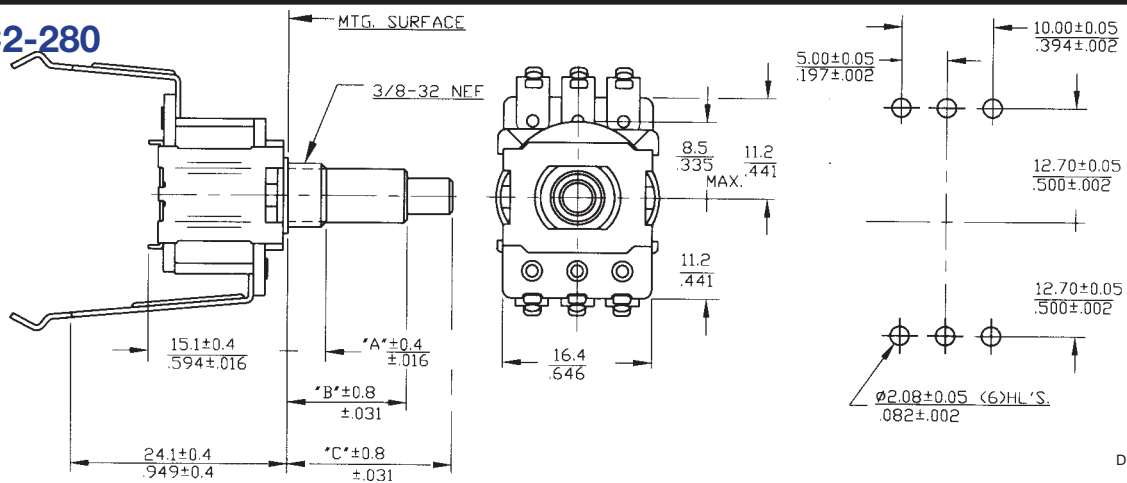
DIMENSION: $\frac{MM}{INCH}$

ZVDT-ZV280



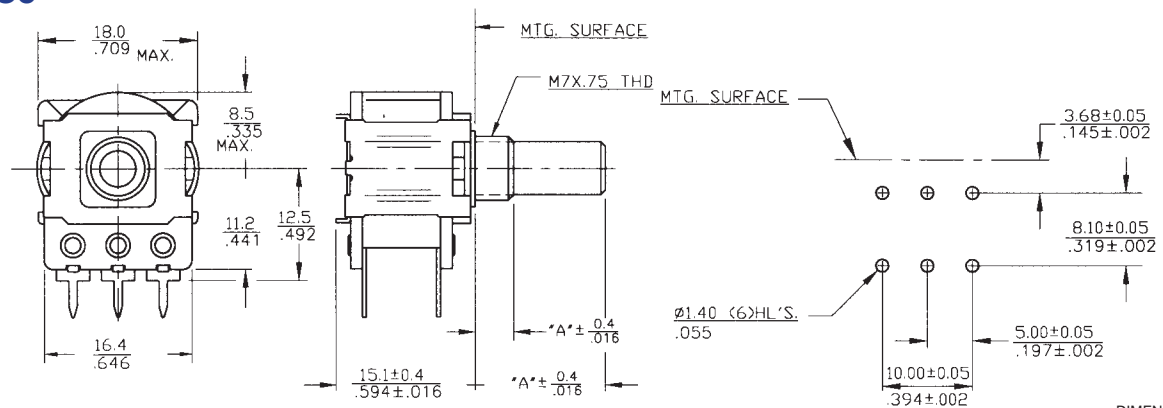
DIMENSION: $\frac{MM}{INCH}$

ZV-C2-280



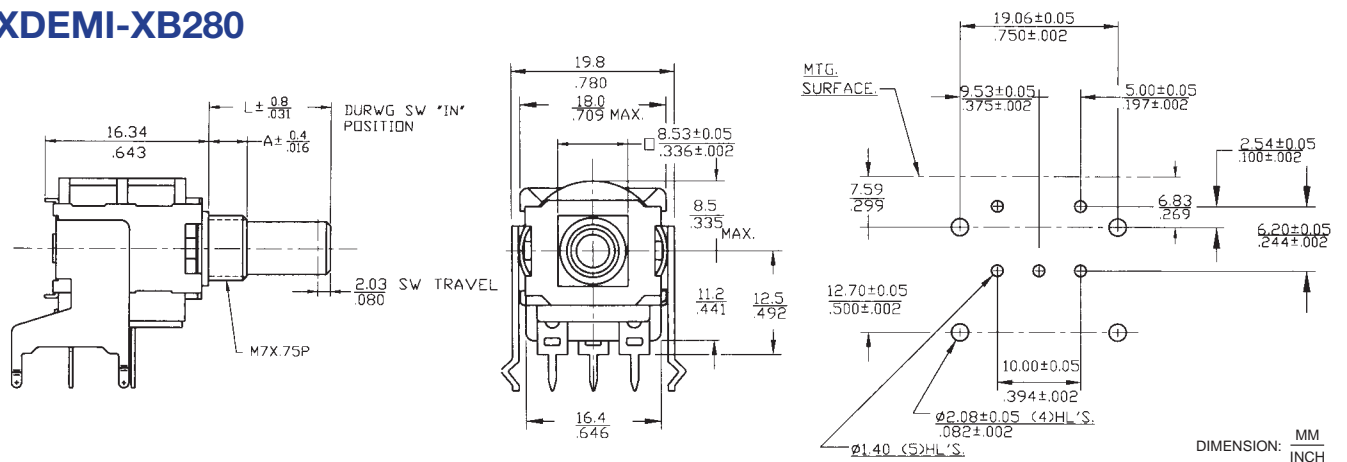
DIMENSION: $\frac{MM}{INCH}$

X2-280



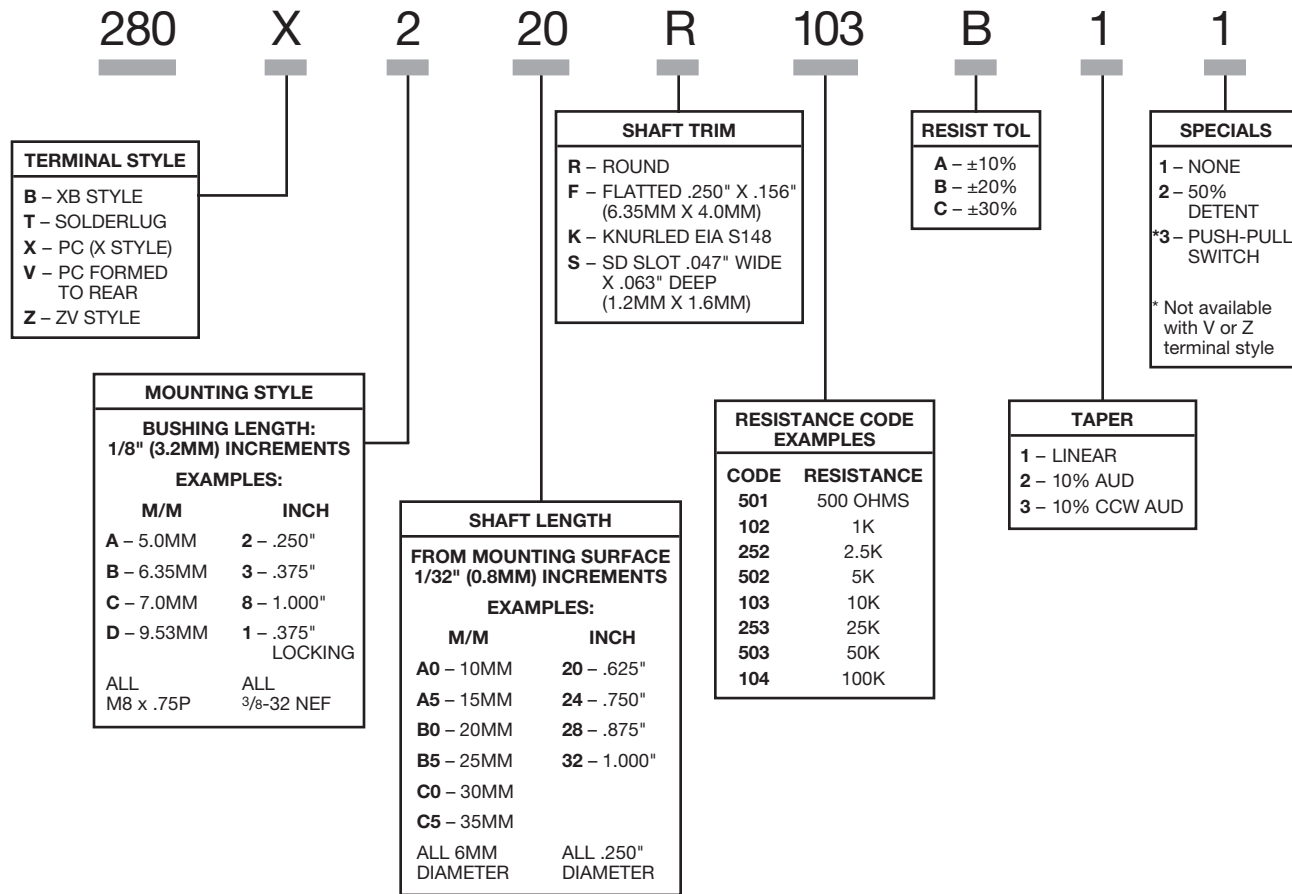
DIMENSION: $\frac{MM}{INCH}$

XDEMI-XB280



DIMENSION: $\frac{MM}{INCH}$

Ordering Information



Order From:

CTS CORPORATION, ELECTROCOMPONENTS / 1601 Mishawaka Street / Elkhart, Indiana 46514
 North America Toll Free (888) 287-4690 / (219) 296-6700 / FAX: (219) 293-1240 <http://www.ctscorp.com>

CTS COMPONENTS TAIWAN, LTD. / 7, Central 6th Road (Chung Liu Road) / P.O. Box 26-20
 Kaohsiung Export Processing Zone / Kaohsiung, Taiwan, Rep. of China
 (07) 8216145 / FAX: (07) 8417642.8110040