

Features

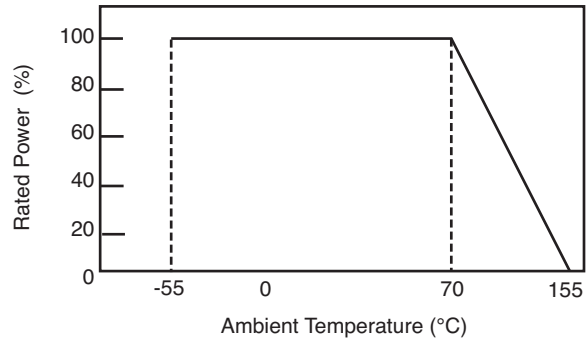
- Small package dimensions
- RoHS compliant*
- Power rating at 70 °C = 1/16 W
- Tight dimensional tolerances
- Three layer termination process with nickel barrier prevents leaching and provides excellent solderability
- Suitable for most types of soldering processes
- Standard packaging on paper tape and reel

CR0402 - Chip Resistor

Electrical Characteristics

Power Rating @ 70 °C1/16 W
 Operating Temperature Range
-55 °C to +155 °C
 Derated to 0 Load at.....+155 °C
 Maximum Working Voltage.....50 V
 Maximum Overload Voltage100 V
 Resistance Range
 1 %, E-96
 and E-24..... 10 ohms to 10 megohms
 5 %, E-24 1 ohm to 20 megohms
 Zero Ohm Jumper.....<0.05 ohms
 Temperature Coefficient
 1 % 10 Ω ≤ R ≤ 1 MΩ ±100 ppm/°C
 1 MΩ < R ≤ 10 MΩ ±200 ppm/°C
 5 % 10 Ω ≤ R ≤ 10 MΩ ±200 ppm/°C
 10 MΩ < R ≤ 20 MΩ ±400 ppm/°C
 1 Ω ≤ R < 10 Ω -200 to +500 ppm/°C
 AEC-Q200 Contact Bourns
 to confirm availability

Derating Curve



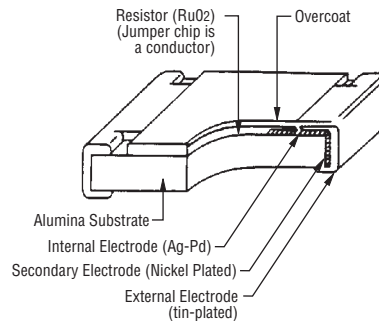
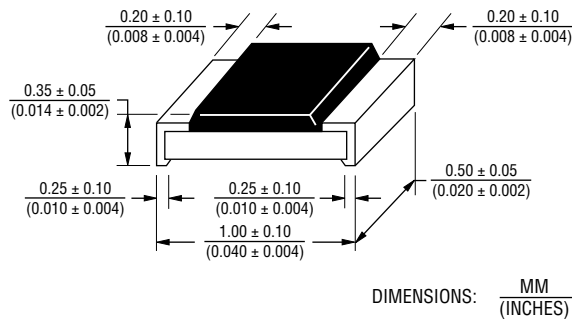
Standard Values

For Standard Values Used in Capacitors, Inductors, and Resistors, [click here](#).

Part Marking System

No Marking on the CR0402 Chip Resistors.

Dimensional Drawings



Performance Characteristics

| Test | Procedure | Method | Test Limits ΔR | |
|---------------------------------|---|-------------------|-----------------------|------------------|
| | | | 1 % | 5 % |
| Thermal Shock | -55 °C for 30 minutes, +155 °C for 30 minutes, 5 cycles | IEC60115-1-4.19 | ≤±(0.5 % + 0.05 Ω) | ≤±(1 % + 0.05 Ω) |
| Short Time Overload | 2.5 X rated voltage for 5 seconds | IEC60115-1-4.13 | ≤±(2 % + 0.1 Ω) | |
| Resistance to Solder Heat | 270 ±5 °C for 10 ±1 seconds | IEC60115-1-4.18 | ≤±(0.5 % + 0.05 Ω) | ≤±(1 % + 0.05 Ω) |
| Resistance to Dry Heat | 125 ±5 °C for 96 ±4 hours | IEC60115-1-4.23.2 | ≤±(1 % + 0.05 Ω) | ≤±(2 % + 0.1 Ω) |
| Load Life | Rated voltage for 1000 hours, 70 °C, 1.5 hours "ON", 0.5 hours "OFF" | IEC60115-1-4.25.1 | ≤±(3 % + 0.1 Ω) | |
| Load Life with Humidity | Rated voltage for 1000 hours, 40 ±2 °C, 90~95 % RH, 1.5 hours "ON", 0.5 hours "OFF" | IEC60115-1-4.24 | ≤±(3 % + 0.1 Ω) | |
| Solderability | 245 ±5 °C, 2 ±0.5 seconds | IEC60115-1-4.17 | ≥95 % of area covered | |
| Bending | 3 mm | IEC60115-1-4.33 | ≤±(0.5 % + 0.05 Ω) | ≤±(1 % + 0.05 Ω) |
| Dielectric Withstanding Voltage | -- | IEC60115-1-4.7 | >100 V | |
| Insulation Resistance | 100 V | IEC60115-1-4.6 | ≥1 GΩ | |

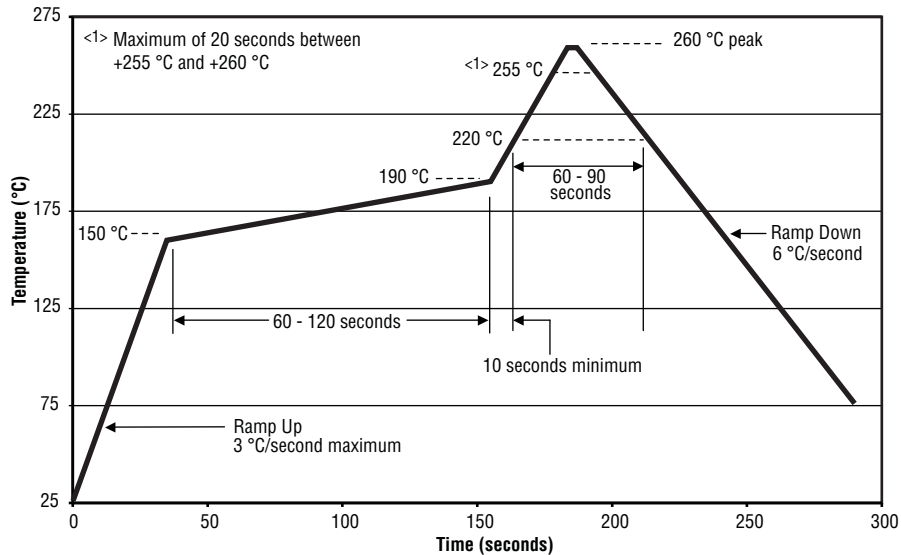
*RoHS Directive 2002/95/EC Jan. 27, 2003 including annex and RoHS Recast 2011/65/EU June 8, 2011. Specifications are subject to change without notice.

The device characteristics and parameters in this data sheet can and do vary in different applications and actual device performance may vary over time. Users should verify actual device performance in their specific applications.

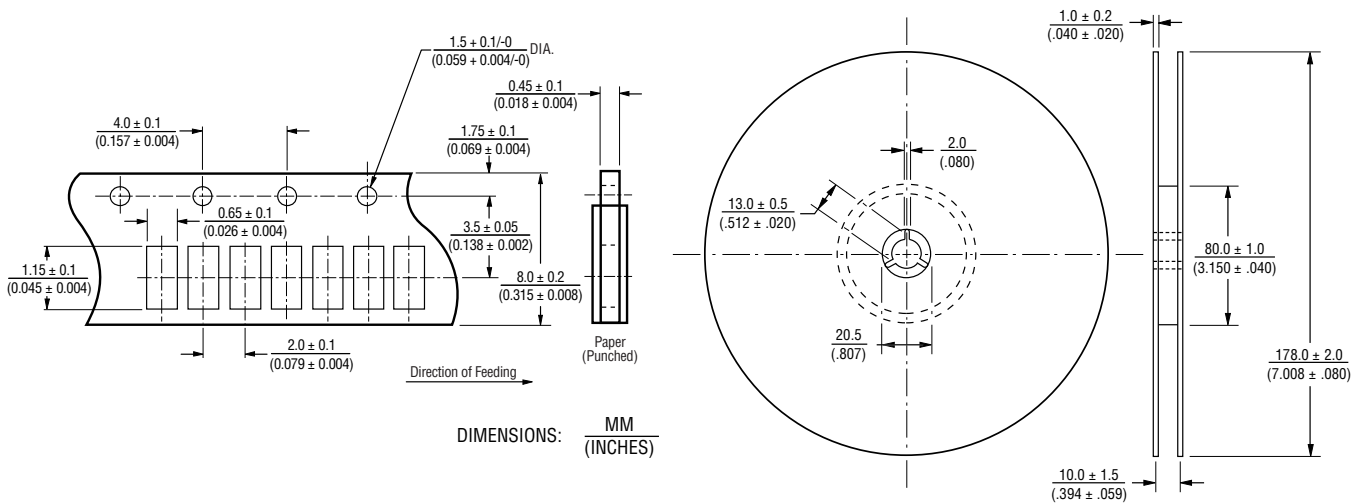
CR0402 - Chip Resistor

BOURNS®

Soldering Profile for RoHS Compliant Chip Resistor and Arrays



Packaging Dimensions (Conforms to EIA RS-481A)



Specifications are subject to change without notice. The device characteristics and parameters in this data sheet can and do vary in different applications and actual device performance may vary over time. Users should verify actual device performance in their specific applications.

CR0402 - Chip Resistor

BOURNS®

How to Order

CR 0402 - F X - 8252 G LF

Model _____
(CR = Chip Resistor)

Size _____
• 0402

Resistance Tolerance _____
F = $\pm 1\%$ Used with "X" TCR code only for values from 10 ohms through 1 megohm; and
Used with "W" TCR code only for values above 1 megohm. through 10 megohms.
J = $\pm 5\%$ Used with "W" TCR code for values from 10 ohms through 10 megohms;
Used with "Z" TCR code for values above 10 megohms through 20 megohms;
Used with "/" TCR code for zero ohm (jumper); and for values from 1 ohm through 9.1 ohms.

TCR (ppm/°C) _____
X = ± 100
W = ± 200
Z = ± 400
/ = -200 to +500

Resistance Value _____
For 1 % Tolerance:
<100 ohms "R" designates decimal point (example: 24R3 = 24.3 ohms)
 ≥ 100 ohms.....First three digits are significant, fourth digit represents number of zeros to follow (example: 8252 = 82.5k ohms).
For 5 % Tolerance:
<10 ohms "R" designates decimal point (example: 4R7 = 4.7 ohms)
 ≥ 10 ohms.....First two digits are significant, third digit represents number of zeros to follow (example: 474 = 470k ohms; 000 = Jumper).

Packaging _____
G = Paper Tape (10,000 pcs.) on 7 " Plastic Reel

Termination _____
LF = Tin-plated (RoHS compliant)

REV. 08/15

Specifications are subject to change without notice.

The device characteristics and parameters in this data sheet can and do vary in different applications and actual device performance may vary over time. Users should verify actual device performance in their specific applications.

Mouser Electronics

Authorized Distributor

Click to View Pricing, Inventory, Delivery & Lifecycle Information:

Bourns:

[CR0402-J-000GLF](#) [CR0402-JW-390GLF](#) [CR0402-JW-180GLF](#) [CR0402-JW-100GLF](#) [CR0402-JW-220GLF](#)
[CR0402-JW-330GLF](#) [CR0402-FX-1023GLF](#) [CR0402-FX-1072GLF](#) [CR0402-FX-10R5GLF](#) [CR0402-FX-1132GLF](#)
[CR0402-FX-1150GLF](#) [CR0402-FX-1151GLF](#) [CR0402-FX-1153GLF](#) [CR0402-FX-1180GLF](#) [CR0402-FX-1181GLF](#)
[CR0402-FX-11R5GLF](#) [CR0402-FX-1203GLF](#) [CR0402-FX-1241GLF](#) [CR0402-FX-1242GLF](#) [CR0402-FX-1270GLF](#)
[CR0402-FX-1271GLF](#) [CR0402-FX-1272GLF](#) [CR0402-FX-12R1GLF](#) [CR0402-FX-1330GLF](#) [CR0402-FX-1332GLF](#)
[CR0402-FX-1371GLF](#) [CR0402-FX-1372GLF](#) [CR0402-FX-13R7GLF](#) [CR0402-FX-1401GLF](#) [CR0402-FX-1402GLF](#)
[CR0402-FX-1433GLF](#) [CR0402-FX-1473GLF](#) [CR0402-FX-14R0GLF](#) [CR0402-FX-14R3GLF](#) [CR0402-FX-1542GLF](#)
[CR0402-FX-1543GLF](#) [CR0402-FX-1622GLF](#) [CR0402-FX-1623GLF](#) [CR0402-FX-1651GLF](#) [CR0402-FX-1652GLF](#)
[CR0402-FX-1691GLF](#) [CR0402-FX-1740GLF](#) [CR0402-FX-1741GLF](#) [CR0402-FX-1743GLF](#) [CR0402-FX-1780GLF](#)
[CR0402-FX-1783GLF](#) [CR0402-FX-17R4GLF](#) [CR0402-FX-17R8GLF](#) [CR0402-FX-1823GLF](#) [CR0402-FX-1871GLF](#)
[CR0402-FX-1911GLF](#) [CR0402-FX-1961GLF](#) [CR0402-FX-19R6GLF](#) [CR0402-FX-2051GLF](#) [CR0402-FX-2101GLF](#)
[CR0402-FX-2103GLF](#) [CR0402-FX-21R0GLF](#) [CR0402-FX-2261GLF](#) [CR0402-FX-2323GLF](#) [CR0402-FX-2433GLF](#)
[CR0402-FX-2493GLF](#) [CR0402-FX-24R3GLF](#) [CR0402-FX-2553GLF](#) [CR0402-FX-2612GLF](#) [CR0402-FX-2671GLF](#)
[CR0402-FX-2672GLF](#) [CR0402-FX-2740GLF](#) [CR0402-FX-2743GLF](#) [CR0402-FX-27R4GLF](#) [CR0402-FX-2802GLF](#)
[CR0402-FX-2803GLF](#) [CR0402-FX-2872GLF](#) [CR0402-FX-2873GLF](#) [CR0402-FX-28R0GLF](#) [CR0402-FX-2941GLF](#)
[CR0402-FX-2942GLF](#) [CR0402-FX-29R4GLF](#) [CR0402-FX-3013GLF](#) [CR0402-FX-3091GLF](#) [CR0402-FX-30R9GLF](#)
[CR0402-FX-3160GLF](#) [CR0402-FX-3241GLF](#) [CR0402-FX-3243GLF](#) [CR0402-FX-3322GLF](#) [CR0402-FX-3323GLF](#)
[CR0402-FX-3402GLF](#) [CR0402-FX-3403GLF](#) [CR0402-FX-3480GLF](#) [CR0402-FX-3482GLF](#) [CR0402-FX-3483GLF](#)
[CR0402-FX-34R8GLF](#) [CR0402-FX-3570GLF](#) [CR0402-FX-3571GLF](#) [CR0402-FX-3572GLF](#) [CR0402-FX-3573GLF](#)
[CR0402-FX-3650GLF](#) [CR0402-FX-36R5GLF](#) [CR0402-FX-3741GLF](#) [CR0402-FX-4020GLF](#) [CR0402-FX-4120GLF](#)