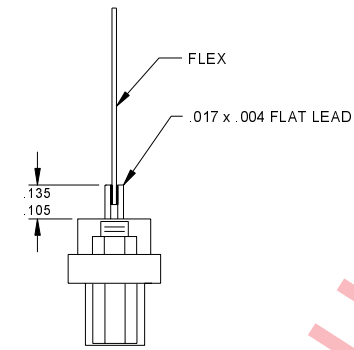
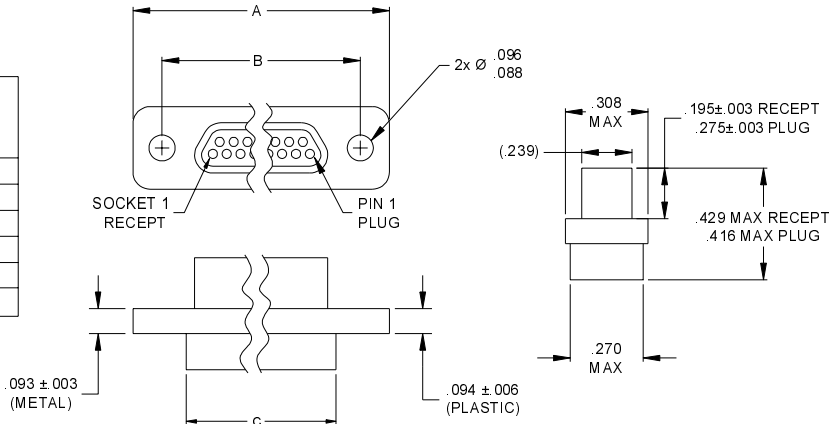
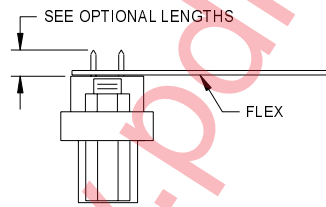


1.2 MICRO CONNECTORS / MOTS

NO. OF CONTACTS	A MAX	B	C MAX
9	.785	.565	.400
15	.935	.715	.550
21	1.085	.865	.700
25	1.185	.965	.800
31	1.335	1.115	.950
37	1.485	1.265	1.100

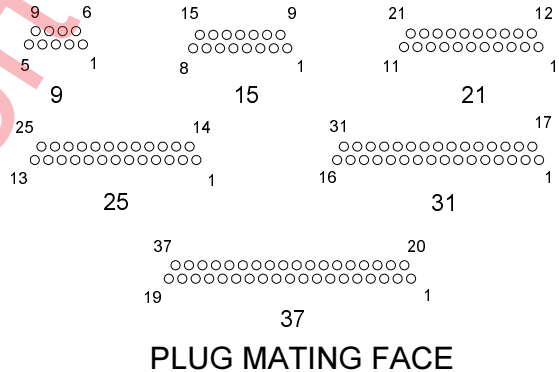


IN-LINE SURFACE MOUNT
(A DOUBLE-SIDED FLEX)

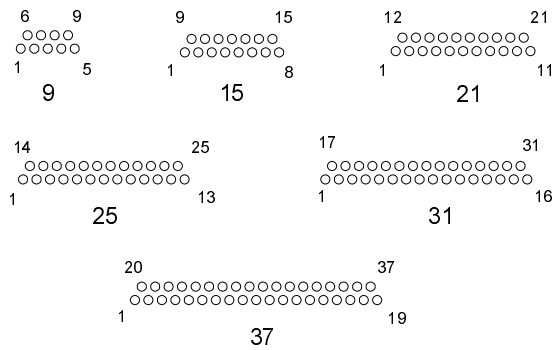


RIGHT ANGLE THRU HOLE MOUNT
(ENCAPSULATE AT A RIGHT ANGLE TO CONNECTOR)

TERMINATION OPTIONS



PLUG MATING FACE



RECEPTACLE MATING FACE

CRISTEK INTERCONNECTS, INC.
www.cristek.com
1301 S. Lewis St.
Anaheim, CA 92805
Phone: (714) 618-2000
FAX: (714) 535-4897

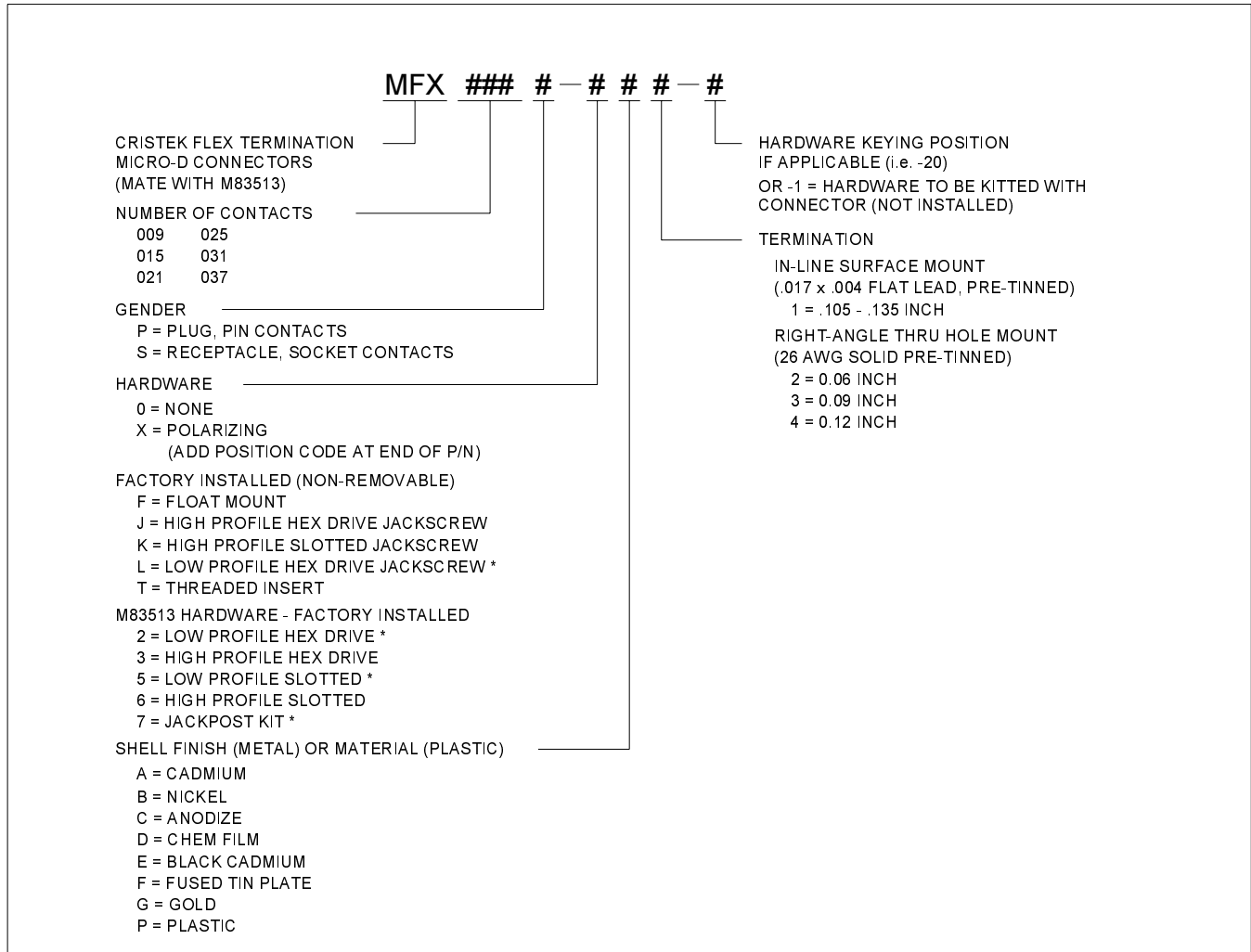
TITLE
**MICRO-D
METAL OR PLASTIC SHELL
FLEX CIRCUIT TERMINATION**

FILENAME
ADS-MFX-1

DWG. NO.
MXF

CODE IDENT NO. 67720	SHT 1 OF 2	REV A
--------------------------------	--------------------------	-----------------

TOLERANCE: .XXX ± .005 .XX ± .01 ANGLE ± 1°



* = MOST COMMONLY USED & STOCKED WIRE TYPE AND HARDWARE OPTIONS

1. MATERIALS:

METAL SHELL - ALUMINUM PER QQ-A-200/8, QQ-A-250/11, OR QQ-A-591
 METAL INSULATOR - DIALLYL PHTHALATE PER MIL-M-14, TYPE SDG-F
 PLASTIC SHELL / INSULATOR - POLYPHENYLENE SULFIDE PER MIL-M-24519 TYPE GST-40F
 INTERFACIAL SEAL (METAL SHELL ONLY) - FLUOROSILICONE BLEND
 PIN CONTACT - BERYLLIUM COPPER
 SOCKET CONTACT - COPPER ALLOY

2. FINISH (METAL):

SHELL - CADMIUM PER QQ-P-416, TYPE II, CLASS 3 OVER
 ELECTROLESS NICKEL PER AMS 2404
 OR ELECTROLESS NICKEL PER AMS 2404
 CONTACT - GOLD PER MIL-G-45204, TYPE II, GRADE C, CLASS I OVER NICKEL PER QQ-N-290.

3. SPECIFICATIONS:

CURRENT RATING ----- 3 AMPS MAX
 TEMPERATURE RATING ----- -55° C TO +125° C
 INSULATION RESISTANCE ----- 5000 MEGOHMS MIN
 DWV AT SEA LEVEL ----- 600 VAC
 DWV AT 70,000 FT ALTITUDE --- 150 VAC
 CONTACT RESISTANCE ----- 8 MILLIOHMS MAX AT 2.5 AMPS
 LOW LEVEL CONTACT ----- 10 MILLIOHMS MAX RESISTANCE
 CONTACT RETENTION ----- 5 lb MINIMUM AXIAL LOAD
 ENGAGEMENT FORCE ----- 6 oz MAX
 SEPARATION FORCE ----- 0.5 oz MIN

4. ADDITIONAL INFORMATION:

DESIGN AND PERFORMANCE IN GENERAL ACCORDANCE WITH M83513
 FOR OTHER TERMINATIONS, CONTACT CRISTEK.

CRISTEK INTERCONNECTS, INC. www.cristek.com 1301 S. Lewis St. Anaheim, CA 92805 Phone: (714) 618-2000 FAX: (714) 535-4897	TITLE	MICRO-D METAL OR PLASTIC SHELL FLEX CIRCUIT TERMINATION			DWG. NO.	MFX	
	FILENAME	ADS-MFX-2	CODE IDENT NO.	67720	SHT	2 OF 2	REV
			TOLERANCE: .XXX ±.005 .XX ±.01 ANGLE ±1°				