



AC00/MS3100
Wall Mount Receptacle



AC01/MS3101
In-Line Receptacle



AC02/MS3102
Box Mount Receptacle



AC06/MS3106
Straight Plug



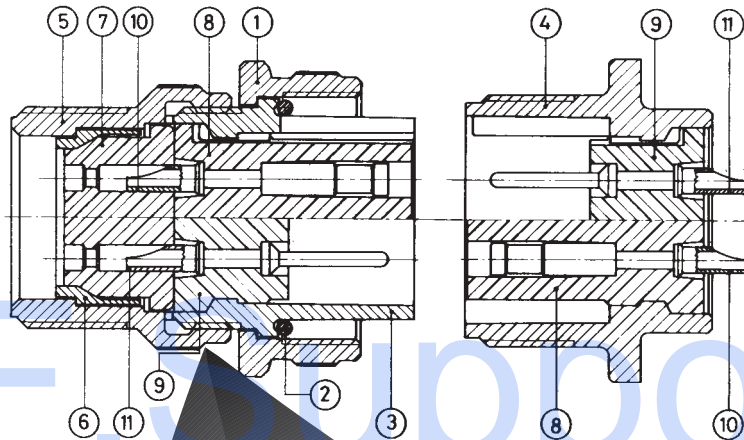
AC08/MS3108
90° Cable Plug

Array AC Series

Threaded Coupling Connectors

MIL-C-5015

Commercial and QPL'd



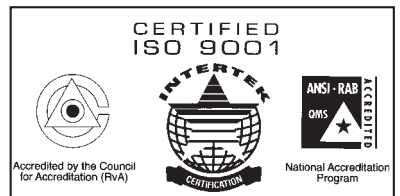
- 1) Coupling nut
- 2) Sealing casket
- 3) Insert holder
- 4) Receptacle shell
- 5) Back shell
- 6) Compression sleeve
- 7) Grommet
- 8) Socket insert
- 9) Pin insert
- 10) Socket contact
- 11) Pin contact



ARRAY CONNECTOR CORPORATION
Design Solutions ISO 9001


US Headquarters And Manufacturing Facilities:
12555 S. W. 130th Street • Miami, FL 33186

Phone: (305) 234-1000 • Fax: (305) 234-6601 • www.arrayconnector.com



Array AC Series

Threaded Coupling Connectors MIL-C-5015 Commercial and QPL'd

ACC and  are registered trademarks of Array Connector Corporation.

CONTENTS

Nomenclature Guide.....	3
Product Data.....	4
Insert Arrangements.....	5
Insert Arrangements Diagrams.....	6
Polarization.....	18
Series AC00A/MS3100A and AC00R/MS3100R Wall Mount Receptacle.....	19
Series AC00F/MS3100F Wall Mount Receptacle.....	20
Series AC01A/MS3101A and AC01R/MS3101R In-Line Receptacle.....	21
Series AC01F/MS3101F In-Line Receptacle.....	22
Series AC02A/MS3102A Box Mount Receptacle.....	23
Series AC06A/MS3016A and AC06R/MS3016R Straight Plug.....	24
Series AC06F/MS3106F Straight Plug.....	25
Series AC08A/MS3018A and AC08R/MS3106R 90° Cable Plug.....	26
Series AC08F/MS3108F 90° Cable Plug.....	27
Series AC-C Crimp Style Contacts, Commercial Version.....	28
MS25043 Dust Caps for Receptacle Connectors (AC00/AC01/AC02).....	29
MS25042 Dust Caps for Plug Connectors (AC06/AC08).....	30
MS3057A Cable Strain Relief Clamp.....	31
MS3057B Cable Strain Relief Clamp.....	32
MS3057C Cable Strain Relief Clamp.....	33
Accessories - MS3420 Neoprene Sleeves and Sealing Plugs.....	34
Accessories - Gaskets (AC00/MS3100, AC01/MS3101 and AC02/MS3102).....	35

FEATURES

Array Connector's "AC" Series connectors meet or exceed the requirements for qualification to MIL-C-5015 and are listed in the U.S. Government's Qualified Parts List. These connectors are available in 11 shell sizes and over 100 insert arrangements, interchangeable and interchangeable with all connectors produced in accordance with MIL-C-5015. Standard contact termination utilizes solder. However, Array offers crimp as well as PC-tail contacts satisfying a wide range of applications and assembly methods.

Designed for wire sizes AWG 0 to 20, these highly durable connectors are used on fixed and mobile military equipment, industrial applications such as machine tools, robotic and automation equipment, and on transportation equipment including trucks, buses, trains and planes.

Shells and hardware are made of high strength aluminum alloys and are available with a variety of plated or anodized finishes. Contacts are machined from solid copper alloy and silver plated in accordance with QQ-S-365. With a standard operating temperature range of -55°C to +125°C, available with a variety of accessories and features, Array's AC Series is widely called out by design engineers and specifiers seeking reliability and durability throughout a broad range of environmental requirements.

Nomenclature Guide

Threaded MIL-C-5015 Style

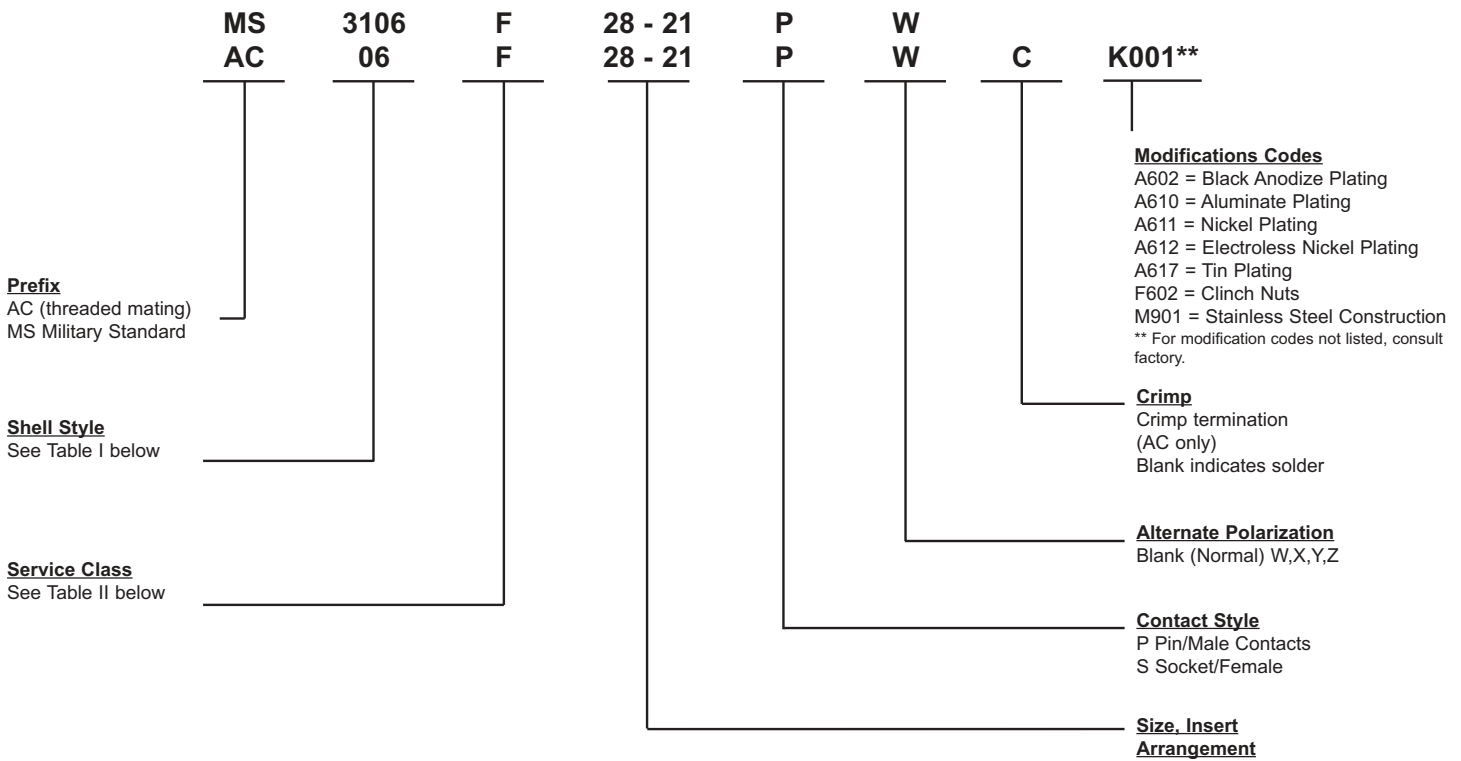


TABLE I. SHELL STYLE			
ARRAY STYLE	MS No.	DESCRIPTION	AVAILABLE IN CLASS
00	MS3100	Wall mount receptacle	A,F,R
01	MS3101	In-line receptacle	A,F,R
02	MS3102	Box mount receptacle	A,R
06	MS3106	Straight plug	A,F,R
08	MS3108	90° angle plug	A,F,R
Potting connectors available. Consult Factory.			

TABLE II. SERVICE CLASS	
CLASS	DESCRIPTION
A	Solid shell, solder contacts and non-pressurized.
C	Solder contacts and pressurized, use R.
E	Environmental, use R or F.
F	R type with clamp.
R	Crimp or solder contacts with grommet seal and without clamp.
Note: All classes have OD Cadmium finish, 125°C, Aluminum shells.	

Electrical

Contact Ratings				
Contact Size	Rated Current, Max Amps.	Operating Current, Amps.	Test Current, Amps.	Voltage Drop mV
16	22	13	20	21
12	41	23	35	20
8	73	46	60	12
4	135	80	110	10
0	245	150	200	10

Voltage Ratings			
Class	Operating, V.D.C.	Operating, V.A.C.	Test, V _{RMS}
I	250	200	1000
A	700	500	2000
D	1250	900	2800
E	1750	1250	3500
B	2450	1750	4500
C	4200	3000	7000

Solder Well					
Contact Size	Well Diameter	Dimensions	Well Depth	Dimensions	Max Allowable Cable (AWG)
	mm.	inches	mm.	inches	
16	1.80	0.0709	6.60	0.2598	16
12	2.90	0.1142	10.0	0.3937	12
8	5.35	0.2106	13.0	0.5118	8
4	8.40	0.3307	16.0	0.6299	4
0	11.90	0.4685	16.0	0.6299	0

Standard Material and Finishes

Shell (MIL-STD)	Aluminum alloy, conductive olive drab chromate over cadmium finish per QQ-P-416. (Consult Factory for Commercial options.)
Insulator	Synthetic Rubber
Grommet and Seal	Synthetic Rubber
Contacts	Copper alloy with silver plate per QQ-S-365
Temperature Range	-55°C to +125°C
Environmental Protection per MIL-C-5015 (MIL-STD 202/1344)	

Cross Reference

MIL SPEC (Notes 3 & 4)	LEADING SUPPLIERS' COMMERCIAL EQUIVALENT				
	ARRAY	AMPHENOL (Note 1)	BENDIX (Note 2)	CANNON	VEAM
MS3100A-*	AC00A-*	97-3100A-*	61-1680-* or CS3100A-*	CA3100A-*	VS3100A-*
MS3100B-*	~~~	97-3100B-*	~~~~ ~~~~	~~~~~	~~~~~
MS3100E-*	AC00E-*	69-3100E-*	10-1690-* or SG3100E-*	CA3100E-*	VS3100E-*
MS3100F-*	AC00F-*	69-3100F-*	10-4740-* or SM3100RC-*	CA3100F-*	VS3100F-*
MS3100R-*	AC00R-*	69-3100R-*	10-1900-* or SM3100R-*	CA3100R-*	VS3100R-*
MS3101A-*	AC01A-*	97-3101A-*	61-1681-* or CS3101A-*	CA3101A-*	VS3101A-*
MS3101B-*	~~~	97-3101B-*	~~~~ ~~~~	CA3101B-*	~~~~~
MS3101E-*	AC01E-*	69-3101E-*	10-1691-* or SG3101E-*	CA3101E-*	VS3101E-*
MS3101F-*	AC01F-*	69-3101F-*	10-4741-* or SM3101RC-*	CA3101F-*	VS3101F-*
MS3101R-*	AC01R-*	69-3101R-*	10-1901-* or SM3101R-*	CA3101R-*	VS3101R-*
MS3102A-*	AC02A-*	97-3102A-*	61-1682-* or CS3102A-*	CA3102A-*	VS3102A-*
MS3102E-*	AC02E-*	69-3102E-*	10-1682-* or SG3102E-*	CA3102E-*	VS3102E-*
MS3102R-*	AC02R-*	69-3102R-*	10-1902-* or SG3102R-*	CA3102R-*	VS3102R-*
MS3103-*	AC03-*	69-3103-*	10-1890-* or SC00P-*	CA3100ER-*	VS3103P-*
MS3106A-*	AC06A-*	97-3106A-*	61-1686-* or CS3106A-*	CA3106A-*	VS3106A-*
MS3106B-*	~~~	97-3106B-*	~~~~ ~~~~	CA3106B-*	~~~~~
MS3106E-*	AC06E-*	69-3106E-*	10-1696-* or SG3106E-*	CA3106E-*	VS3106E-*
MS3106F-*	AC06F-*	69-3106F-*	10-4746-* or SM3106RC-*	CA3106F-*	VS3106F-*
MS3106R-*	AC06R-*	69-3106R-*	10-1906-* or SM3106R-*	CA3106R-*	VS3106R-*
MS3108A-*	AC08A-*	97-3108A-*	61-1688-* or CS3108A-*	CA3108A-*	VS3108A-*
MS3108B-*	~~~	97-3108B-*	~~~~ ~~~~	CA3108B-*	~~~~~
MS3108E-*	AC08E-*	~~~~~	10-1698-* or SG3108E-*	CA3108E-*	VS3108E-*
MS3108R-*	AC08R-*	~~~~~	~~~~ ~~~~	CA3108R-*	VS3108R-*
MS25183-*	AC25183-*	69/97-3106-*(824)	10-3054-* or SC06P-*	CA3106ER-*	VS25183-*
MS25183A-*	AC25183A-*	97-3106-*(826)	10-4353-* or SC06P-*(G)	CA06ER-*	VS25183A-*
~~~~~	ACBFR*	~~~~~	~~~~~	BFR*	~~~~~
~~~~~	ACTBF*	~~~~~	~~~~~	TBF*	~~~~~

NOTES:

1. Amphenol part numbers prior to amphenol/Bendix merger.
2. Bendix part numbers prior Amphenol/Bendix merger. 10-, 61-, 62 prefix part numbers have been replaced by CS, SC, SG, and SM prefix part numbers.
3. MS3103 is potting receptacle (not for new design); MS25183 are plugs with potting cup. No current QPL; commercial versions only.
4. Classes A, B, C, are inactive for new design; QPL is not maintained. Class R should be used in lieu of Class C. Classes A and B can have resilient (marked "res") or hard-plastic inserts.

Insert Arrangements

INSERT	No. of contacts	Voltage class	Contact Types				
			0	4	8	12	16
* 10SL - 3	3	A					3
* 10SL - 4	2	A					2
* 14S - 2	4	Inst.					4
* 14S - 5	5	Inst.					5
* 14S - 6	6	Inst.					6
14S - 7	3	A					3
14S - 9	2	A					2
* 16S - 1	7	A					7
* 16S - 5	3	A					3
16 - 7	3	A			1		2
16S - 8	5	A					5
* 16 - 9	4	A				2	2
* 16 - 10	3	A				3	
16 - 11	2	A				2	
* 16 - 12	1	A	1				
* 18 - 1	10	A/Inst.					10
18 - 3	2	D				2	
* 18 - 4	4	D					4
18 - 5	3	D				2	1
18 - 6	1	D	1				
18 - 7	1	B			1		
18 - 8	8	A				1	7
18 - 9	7	Inst.				2	5
18 - 10	4	A				4	
* 18 - 11	5	A				5	
18 - 12	6	A					6
18 - 13	4	A		1		3	
18 - 14	2	A	1				1
18 - 16	1	C				1	
* 18 - 19	10	A					10
* 18 - 20	5	A					5
18 - 22	3	D					3
18 - 29	5	A					5
* 20 - 2	1	D	1				
20 - 3	3	D				3	
* 20 - 4	4	D				4	
20 - 6	3	D					3
20 - 7	8	A/D					8
* 20 - 8	6	Inst.			2		4
20 - 9	8	A/D				1	7
* 20A - 9	9	A/D					9
20 - 11	13	Inst.					13
20 - 12	2	A	1				1
20 - 14	5	A		2		3	
* 20 - 15	7	A				7	
20 - 16	9	A				2	7
* 20 - 17	6	A				5	1
20 - 18	9	A				3	6
20 - 19	3	A			3		
20 - 20	4	A	1			3	
20 - 21	9	A				1	8
* 20 - 22	6	A			3		3
* 20 - 23	2	A			2		
20 - 24	4	A			2		2
* 20 - 27	14	A					14

INSERT	No. of contacts	Voltage class	Contact Types				
			0	4	8	12	16
* 20 - 29	17	A					17
20 - 33	11	A					11
* 20A - 48	19	Inst.					19
22 - 1	2	D			2		
* 22 - 2	3	D			3		
22 - 4	4	A			2	2	
22 - 5	6	D				2	4
22 - 6	3	D			2		1
22 - 7	1	E	1				
22 - 8	2	E				2	
22 - 9	3	E				3	
* 22 - 10	4	E					4
22 - 11	2	B					2
* 22 - 12	5	D			2		3
22 - 13	5	A/D				4	1
* 22 - 14	19	A					19
22 - 15	6	A/E				5	1
22 - 16	9	A				3	6
22 - 17	9	A/D				1	8
22 - 18	8	A/D					8
* 22 - 19	14	A					14
22 - 20	9	A					9
22 - 21	3	A	1				2
* 22 - 22	4	A			4		
* 22 - 23	8	A/D				8	
22 - 24	6	A/D				2	4
* 22 - 27	9	A/D			1		8
22 - 28	7	A				7	
22 - 33	7	A/D					7
22 - 34	5	D				3	2
* 24 - 2	7	D				7	
24 - 3	7	D				2	5
24 - 5	16	A					16
24 - 6	8	A/D				8	
* 24 - 7	16	A				2	14
24A - 7	7	D				7	
* 24 - 9	2	A		2			
* 24 - 10	7	A			7		
24 - 11	9	A			3	6	
* 24 - 12	5	A		2		3	
24 - 013	13	A				6	7
24 - 16	7	A/D			1	3	3
24 - 17	5	D				2	3
* 24 - 20	11	D				2	9
24 - 21	10	D			1		9
24 - 22	4	D			4		
* 24 - 27	7	E					7
* 24 - 28	24	Inst.					24
28 - 1	9	A/D			3	6	
28 - 2	14	D				2	12
* 28 - 3	3	E			3		
28 - 4	9	D/E				2	7
28 - 5	5	D		2		1	2
28 - 6	3	D		3			
28 - 7	2	D		2			

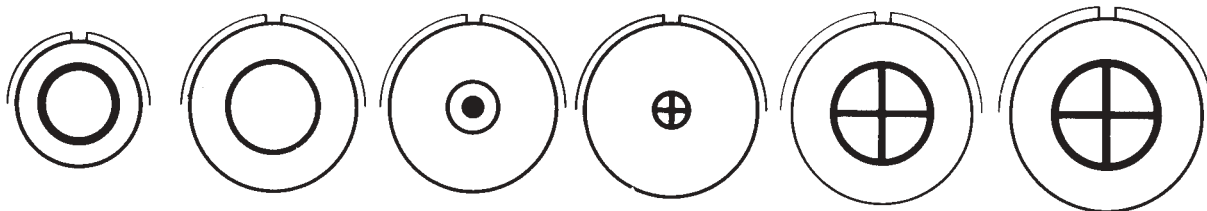
INSERT	No. of contacts	Voltage class	Contact Types				
			0	4	8	12	16
28 - 8	12	A/D/E				2	10
28 - 9	12	D				6	6
28 - 10	7	A/D	2	2	3		
* 28 - 11	22	A				4	18
* 28 - 12	26	A					26
28 - 15	35	A					35
28 - 16	20	A					20
28 - 17	15	A/B/D					15
28 - 18	12	A/C/D/Inst.					12
28 - 19	10	A/B/D				4	6
* 28 - 20	14	A				10	4
* 28 - 21	37	A					37
28 - 22	6	D	3				3
* 28 - 51	12	A				12	
* 28A - 63	28	A/Inst.				9	19
* 32 - 1	5	D/E	2			3	
32 - 2	5	E		3			2
* 32 - 3	9	D	1	2		2	4
32 - 4	14	A/D				2	12
32 - 5	2	D	2				
* 32 - 6	23	A		2	3	2	16
* 32 - 7	35	A/Inst.				7	28
* 32 - 8	30	A				6	24
32 - 9	14	D	2				12
32 - 10	7	A/B/D/E	2	2			3
32 - 12	15	A/D				5	10
32 - 13	23	D				5	18
* 32A - 13	13	D				13	
32 - 15	8	D	2			6	
32 - 17	4	D		4			
32 - 31	31	A					31
36 - 1	22	D				4	18
36 - 3	6	D	3			3	
36 - 4	3	A/D	3				
* 36 - 5	4	A	4				
* 36 - 6	6	A	2	4			
* 36 - 7	47	A				7	40
36 - 8	47	A				1	46
36 - 9	31	A		1	2	14	14
* 36 - 10	48	A					48
36 - 13	17	A/E				2	15
36 - 14	16	D			5	5	6
36 - 15	35	A/D					35
36 - 20	34	A			2	2	30
* 36A - 22	22	D				22	
* 36 - 54	39	A			8		31
* 36 - 74	44	A			1		43
* 40 - 1	30	D				6	24
* 40 - 9	47	A			1	22	24
* 40 - 10	29	A		4	9		16
40 - 26	26				7	19	
* 40A - 31	31	D				31	
* 40A - 35	35	D				35	
* 40 - 53	60	A					60
* 40 - 56	85	A					85
40 - 63	61	A					61

(*) Currently Produced. Other Inserts, Available on Request.

Insert Arrangements

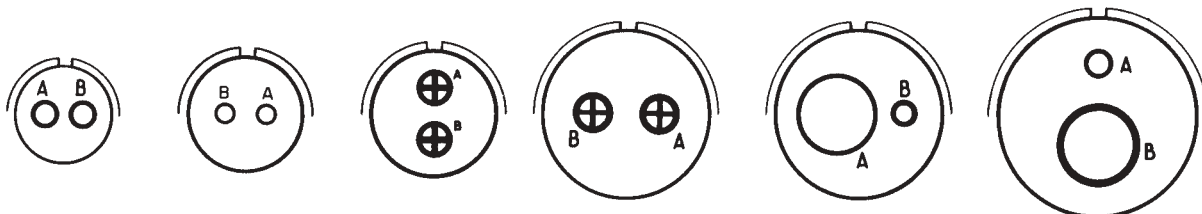
The diagrams show the front insert view in normal angular position

1 CONTACT

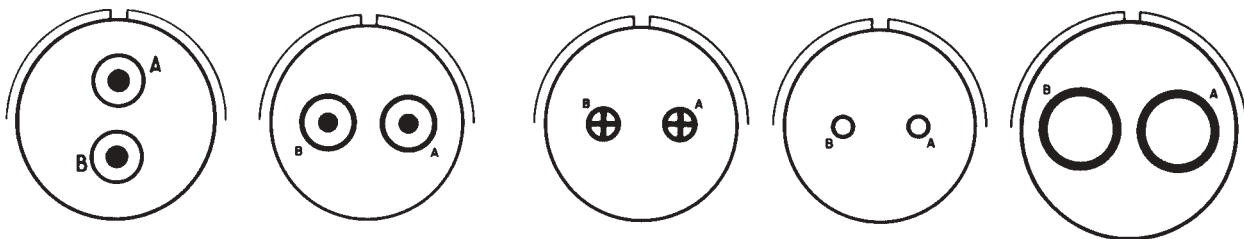


Insert arrangement	16-12	18-6	18-7	18-16	20-2	22-7
No. of contacts	1	1	1	1	1	1
Contacts size	4	4	8	12	0	0
Service rating	A	D	B	C	D	E

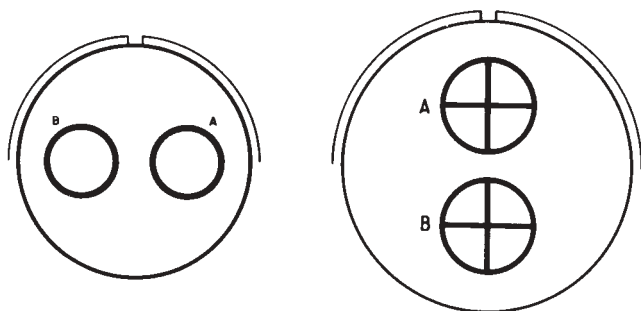
2 CONTACTS



Insert arrangement	10 SL-4	14 S-9	16-11	18-3	18-14	20-12
No. of contacts	2	2	2	2	2	2
Contacts size	16	16	12	12	1-4, 1-16	1-4, 1-16
Service rating	A	A	A	D	A	A

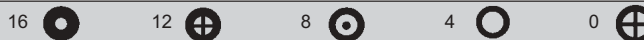


Insert arrangement	20-23	22-1	22-8	22-11	24-9
No. of contacts	2	2	2	2	2
Contacts size	8	8	12	16	4
Service rating	A	D	E	B	A



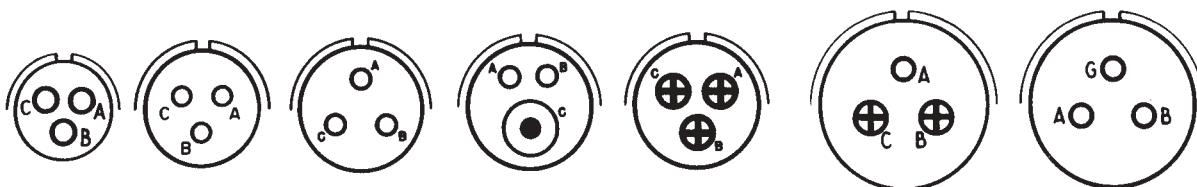
Insert arrangement	28-7	32-5
No. of contacts	2	2
Contacts size	4	0
Service rating	D	D

CONTACT DIMENSIONS

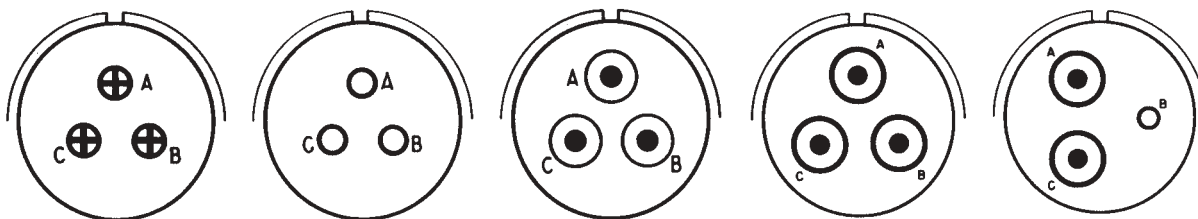


The diagrams show the front insert view in normal angular position

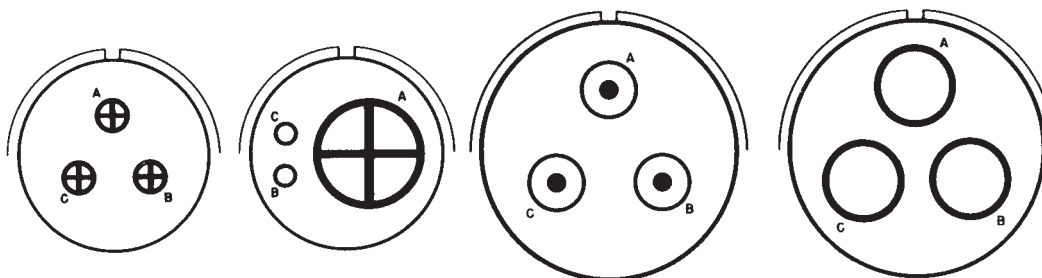
3 CONTACTS



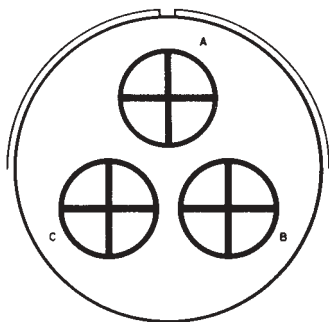
Insert arrangement	10 SL-3	14 S-7	16 S-5	16-7	16-10	18-5	18-22
No. of contacts	3	3	3	3	3	3	3
Contacts size	16	16	16	1-8, 2-16	12	2-12, 1-16	16
Service rating	A	A	A	A	A	D	D



Insert arrangement	20-3	20-6	20-19	22-2	22-6
No. of contacts	3	3	3	3	3
Contacts size	12	16	8	8	2-8, 1-16
Service rating	D	D	A	D	D



Insert arrangement	22-9	22-21	28-3	28-6
No. of contacts	3	3	3	3
Contacts size	12	1-0, 2-16	8	4
Service rating	E	A	E	D



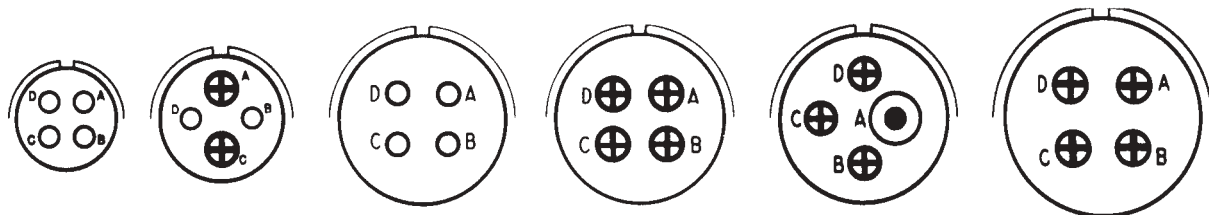
Insert Arrangement	36-4
No. of contacts	3
Contacts size	0
Service rating	A=D; B,C=A

CONTACT DIMENSIONS

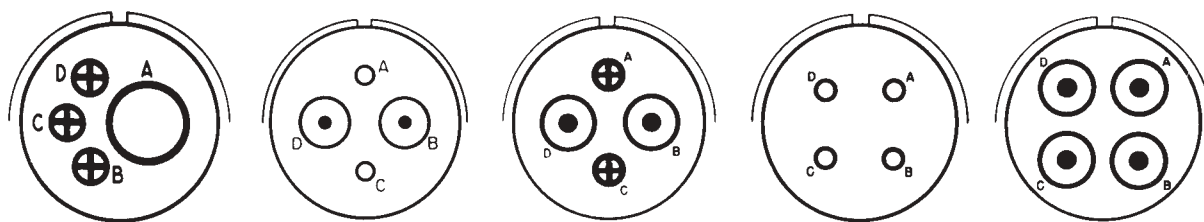


The diagrams show the front insert view in normal angular position

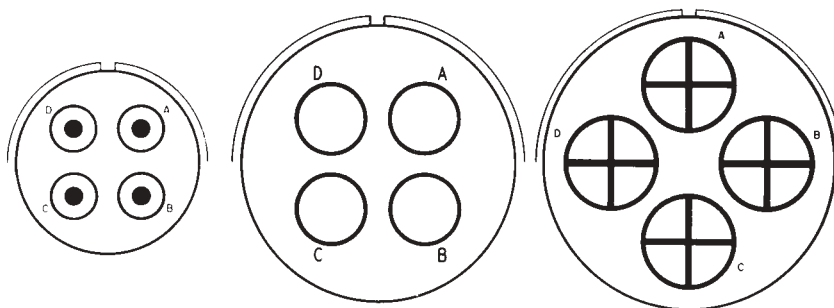
4 CONTACTS



Insert arrangement	14 S-2	16-9	18-4	18-10	18-13	20-4
No. of contacts	4	4	4	4	4	4
Contacts size	16	2-12, 2-16	16	12	1-8, 3-12	12
Service rating	INST	A	D	A	A	D

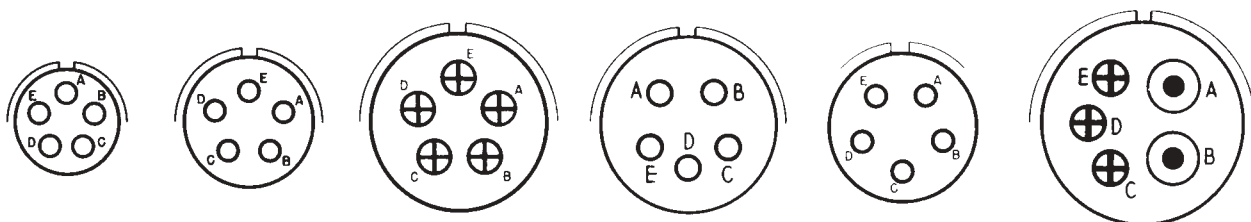


Insert arrangement	20-20	20-24	22-4	22-10	22-22
No. of contacts	4	4	4	4	4
Contacts size	1-4, 3-12	2-8, 2-16	2-8, 2-12	16	8
Service rating	A	A	A	E	A



Insert arrangement	22-24	32-17	36-5
No. of contacts	4	4	4
Contacts size	8	4	0
Service rating	D	D	A

5 CONTACTS

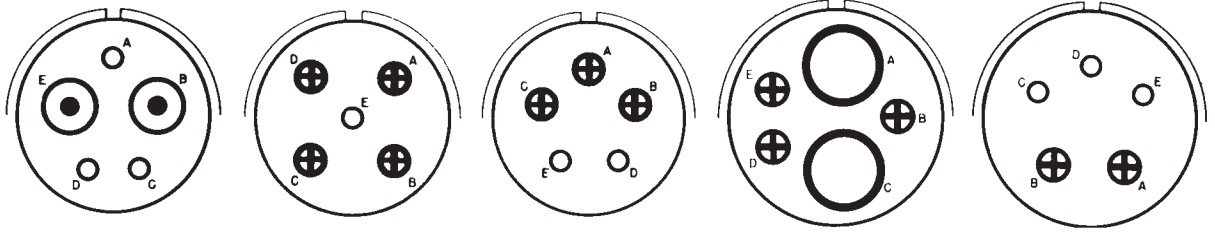


Insert arrangement	14S-5	16S-8	18-11	18-20	18-29	20-14
No. of contacts	5	5	5	5	5	5
Contacts size	16	16	12	16	16	2-8, 3-12
Service rating	INST	A	A	A	A	A

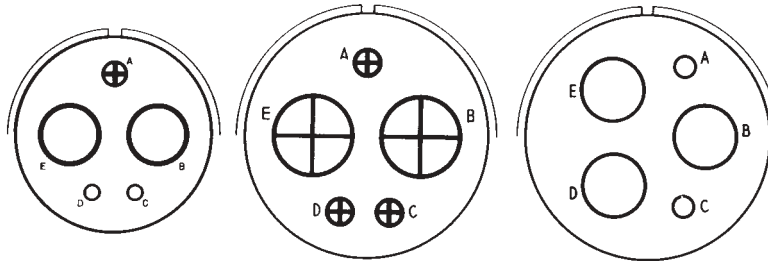
CONTACT DIMENSIONS



The diagrams show the front insert view in normal angular position

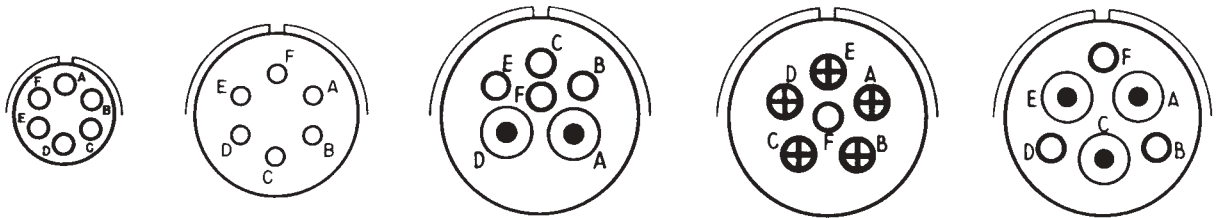


Insert arrangement	22-12	22-13	22-34	24-12	24-17
No. of contacts	5	5	5	5	5
Contacts size	2-8, 3-16	4-12, 1-16	3-12, 2-16	2-4, 3-12	2-12, 3-16
Service rating	D	E=D; A,B,C,D=A	D	A	D

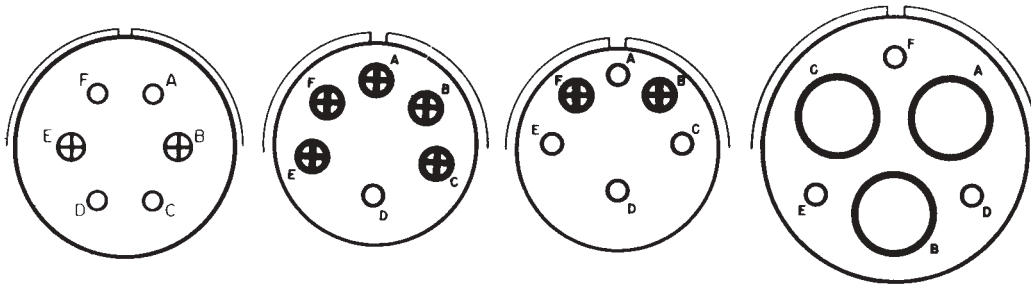


Insert arrangement	28-5	32-1	32-2
No. of contacts	5	5	5
Contacts size	2-4, 1-12, 2-16	2-0, 3-12	3-4, 2-16
Service rating	D	A=E; B,C,D,E=D	E

6 CONTACTS



Insert arrangement	14S-6	18-12	20-8	20-17	20-22
No. of contacts	6	6	6	6	6
Contacts size	16	16	2-8, 4-16	5-12, 1-16	3-8, 3-16
Service rating	INST	A	INST	A	A

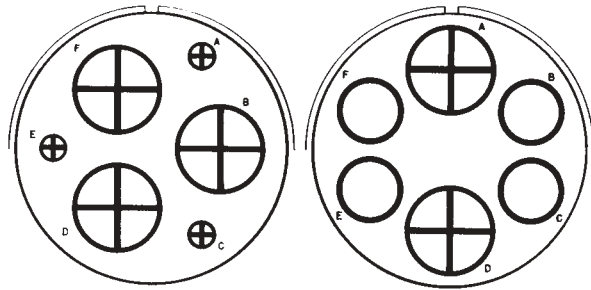


Insert arrangement	22-5	22-15	22-24	28-22
No. of contacts	6	6	6	6
Contacts size	2-12, 4-16	5-12, 1-16	2-12, 4-16	3-4, 3-16
Service rating	D	D=E; A,B,C,D,E,F=A	C,D,E=D; A,B,F=A	D

CONTACT DIMENSIONS

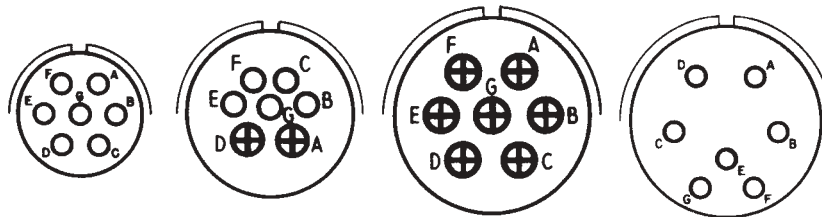


The diagrams show the front insert view in normal angular position

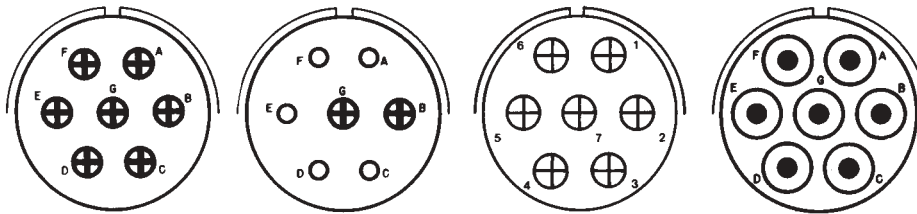


Insert arrangement	36-3	36-6
No. of contacts	6	6
Contacts size	3-0,3-12	2-0, 4-4
Service rating	D	A

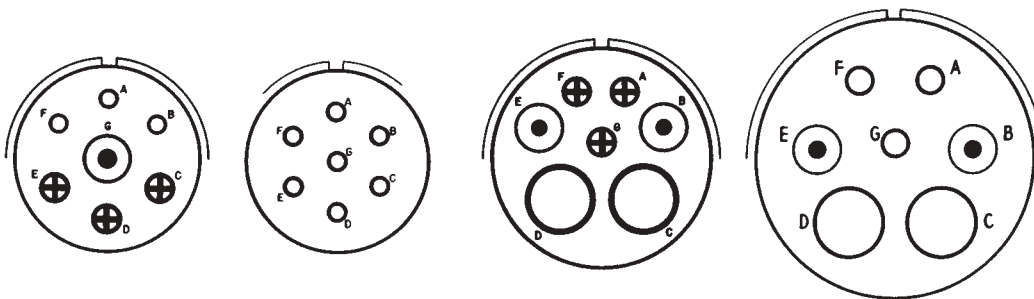
7 CONTACTS



Insert arrangement	16S-1	18-9	20-15	22-33
No. of contacts	7	7	7	7
Contacts size	16	2-12, 5-16	12	16
Service rating	A	INST	A	A,B,C,D=D;E,F,G=A



Insert arrangement	24-2	24-3	24A-7	24-10
No. of contacts	7	7	7	7
Contacts size	12	2-12,5-16	12	8
Service rating	D	D	D	A



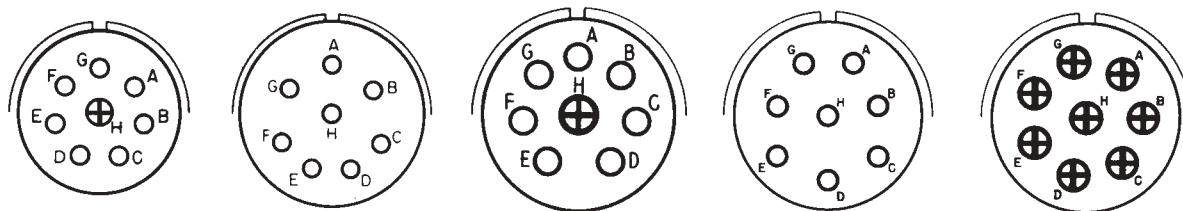
Insert arrangement	24-16	24-27	28-10	32-10
No. of contacts	7	7	7	7
Contacts size	1-8,3-12,3-16	16	2-4,2-8,3-12	2-4,2-8,3-16
Service rating	A,B,F,G=D;C,D,E=A	E	G=D;BAL.=A	A,F=E;G=B;B,E=D;C,D=A

CONTACT DIMENSIONS

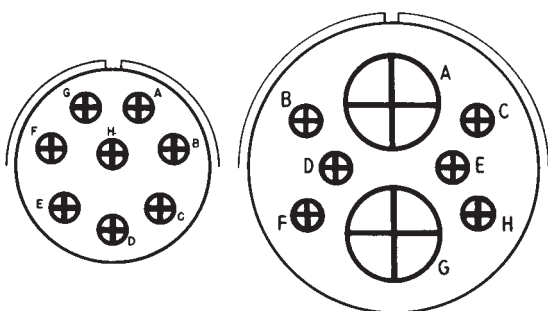


The diagrams show the front insert view in normal angular position

8 CONTACTS

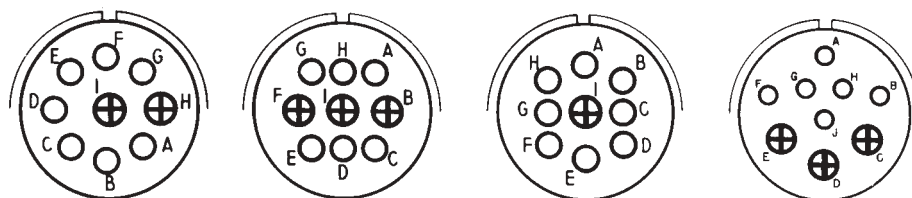


Insert arrangement	18-8	20-7	20-9	22-18	22-23
No. of contacts	8	8	8	8	8
Contacts size	1-12,7-16	16	1-12,7-16	16	12
Service rating	A	A,B,H,G=D;C,D,E,F=A	H=D;BAL.=A	A,B,F,G,H=D;C,D,E=A	H=D;BAL.=A

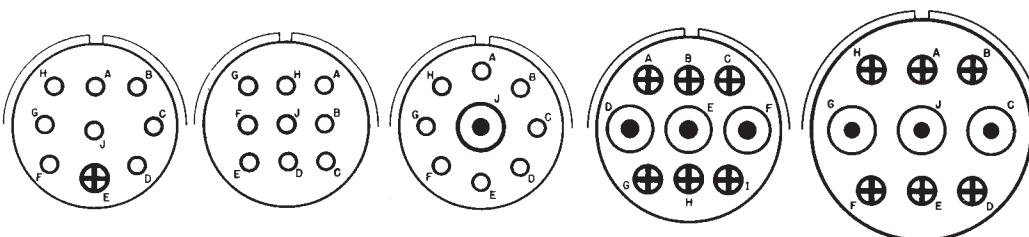


Insert arrangement	24-6	32-15
No. of contacts	8	8
Contacts size	12	2-0,6-12
Service rating	A,G,H=D;BAL.=A	D

9 CONTACTS



Insert arrangement	20-16	20-18	20-21	22-16
No. of contacts	9	9	9	9
Contacts size	2-12,7-16	3-12,6-16	1-12,8-16	3-12,6-16
Service rating	A	A	A	A

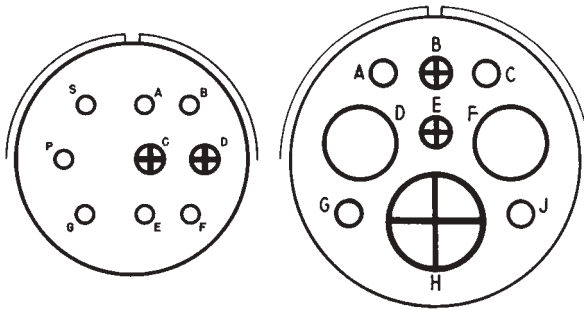


Insert arrangement	22-17	22-20	22-27	24-11	28-1
No. of contacts	9	9	9	9	9
Contacts size	1-12,8-16	16	1-8,8-16	3-8,6-12	3-8,6-12
Service rating	A=D;BAL.=A	A	J=D;BAL.=A	A	A,J,E=D;BAL.=A

CONTACT DIMENSIONS

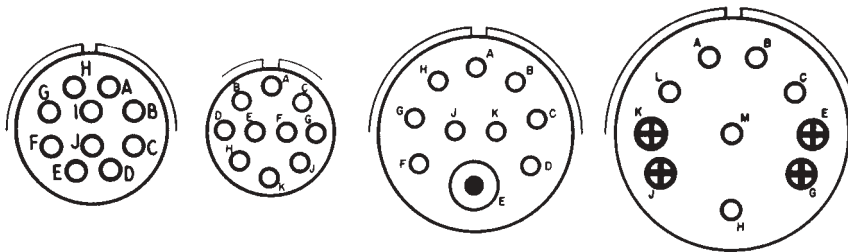


The diagrams show the front insert view in normal angular position



Insert arrangement	28-4	32-3
No. of contacts	9	9
Contacts size	2-12,7-16	1-0,2-4,2-12,4-16
Service rating	G,P,S=E;BAL.=D	D

10 CONTACTS



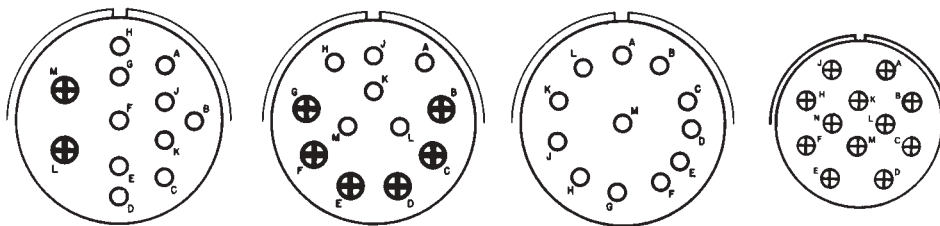
Insert arrangement	18-1	18-19	24-21	28-19
No. of contacts	10	10	10	10
Contacts size	16	16	1-8,9-16	4-12,6-16
Service rating	B,C,F,G=A;BAL.=INST	A	D	H,M=B;A,B=D,BAL.=A

11 CONTACTS



Insert arrangement	20-33	24-20
No. of contacts	11	11
Contacts size	16	2-12,9-16
Service rating	A	D

12 CONTACTS



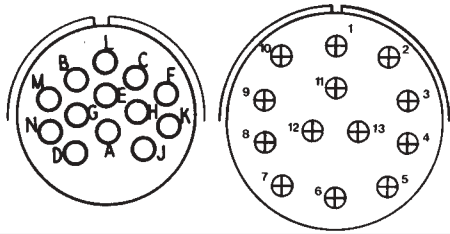
Insert arrangement	28-8	28-9	28-18	28-51
No. of contacts	12	12	12	12
Contacts size	2-12,10-16	6-12,6-16	16	12
Service rating	L,M=E;B=D;BAL.=A	D	M=C;G,H,J,K,L=D;A,B=A;BAL.=INST	A

CONTACT DIMENSIONS	16	12	8	4	0
--------------------	----	----	---	---	---



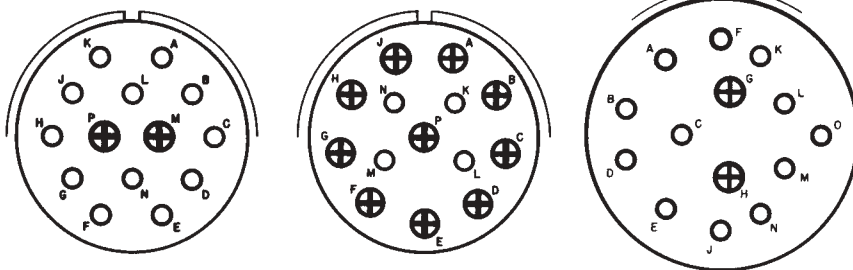
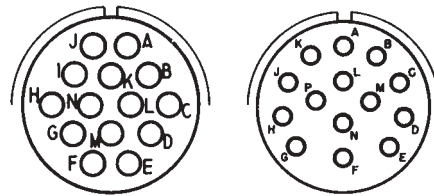
The diagrams show the front insert view in normal angular position

13 CONTACTS

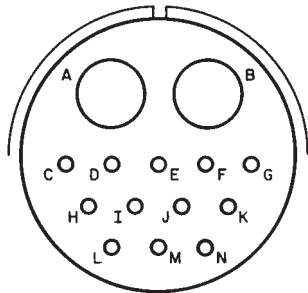


Insert arrangement	20-11	32A-13	20-27	22-19
No. of contacts	13	13	14	14
Contacts size	16	12	16	16
Service rating	INST.	D	A	A

14 CONTACTS

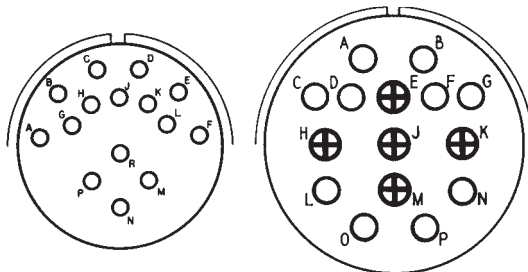


Insert arrangement	28-2	28-20	32-4
No. of contacts	14	14	14
Contacts size	2-12,12-16	10-12,4-16	2-12,12-16
Service rating	D	A	F,J,K,N=A;BAL.=D



Insert arrangement	32-9
No. of contacts	14
Contacts size	2-4,12-16
Service rating	D

15 CONTACTS



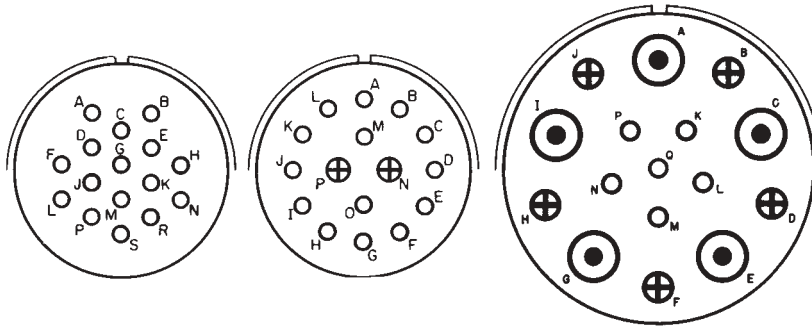
Insert arrangement	28-17	32-12
No. of contacts	15	15
Contacts size	16	5-12,10-16
Service rating	R=B;M,N,P=D;A-L=A	C,D,E,F,G=A;BAL.=D

CONTACT DIMENSIONS



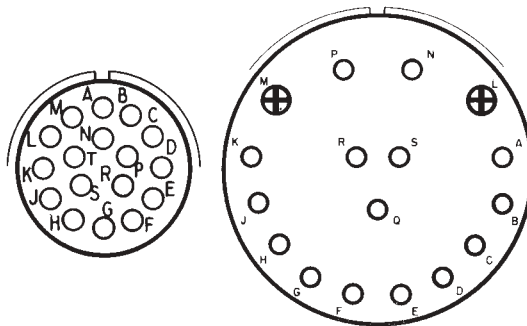
The diagrams show the front insert view in normal angular position

16 CONTACTS



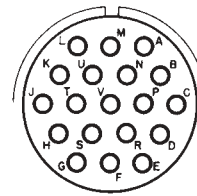
Insert arrangement	24-5	24-7	36-14
No. of contacts	16	16	16
Contacts size	16	2-12,14-16	5-8,5-12,6-16
Service rating	A	A	D

17 CONTACTS

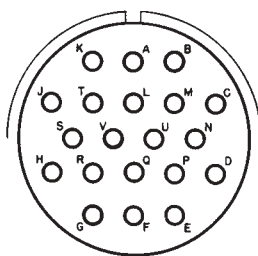


Insert arrangement	20-29	36-13	22-14
No. of contacts	17	17	19
Contacts size	16	2-12,15-16	16
Service rating	A	N,P,Q=E;BAL.=A	A

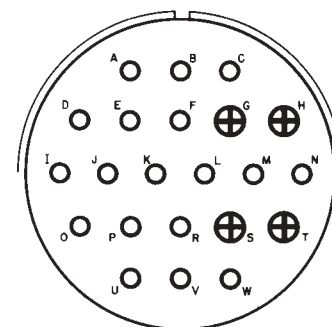
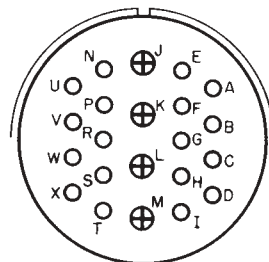
19 CONTACTS



20 CONTACTS



22 CONTACTS



Insert arrangement	28-16	28-11	36-1
No. of contacts	20	22	22
Contacts size	16	4-12,18-16	4-12,18-16
Service rating	A	A	D

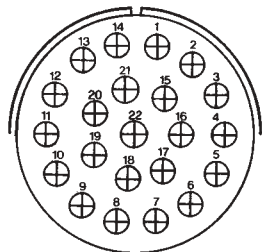
CONTACT DIMENSIONS



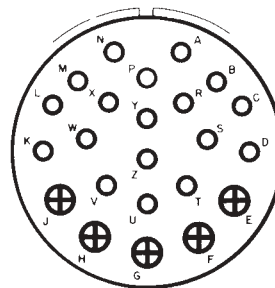
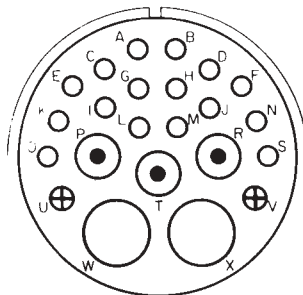


The diagrams show the front insert view in normal angular position

22 CONTACTS

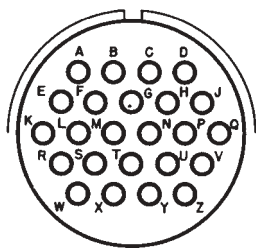


23 CONTACTS

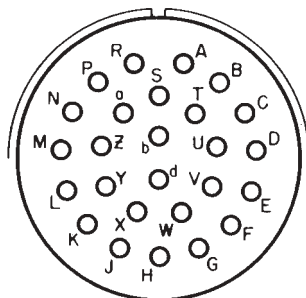


Insert arrangement	36A-22	32-6	32-13
No. of contacts	22	23	23
Contacts size	12	2-4,3-8,2-12,16-16	5-12,18-16
Service rating	D	A	D

24 CONTACTS

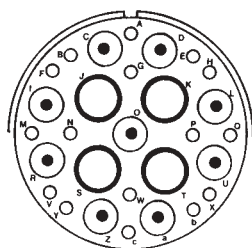


26 CONTACTS

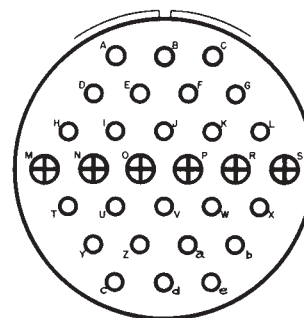
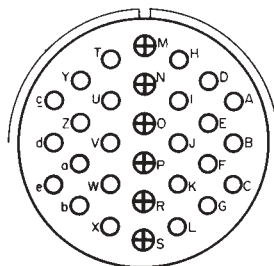


Insert arrangement	24-28	28-12
No. of contacts	24	26
Contacts size	16	16
Service rating	INST.	A

29 CONTACTS

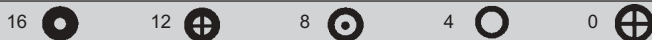


30 CONTACTS



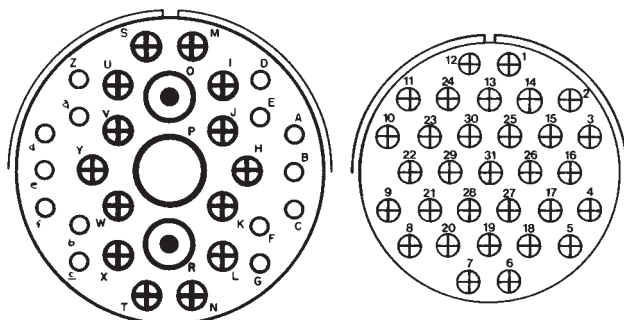
Insert arrangement	40-10	32-8	40-1
No. of contacts	29	30	30
Contacts size	4-4,9-8,16-16	6-12,24-16	6-12,24-16
Service rating	A	A	D

CONTACT DIMENSIONS

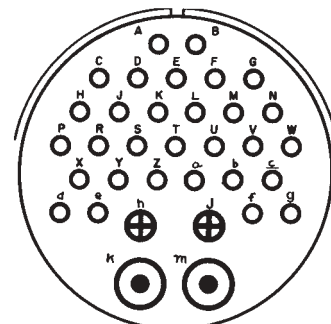


The diagrams show the front insert view in normal angular position

31 CONTACTS

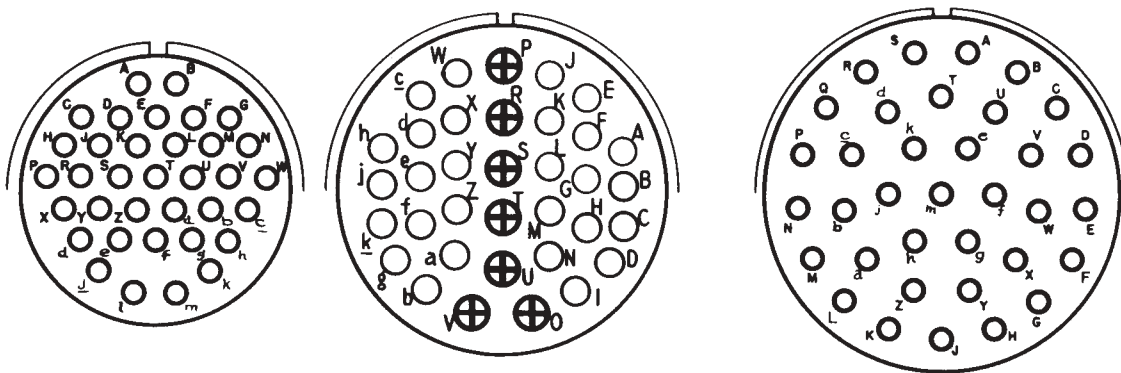


34 CONTACTS



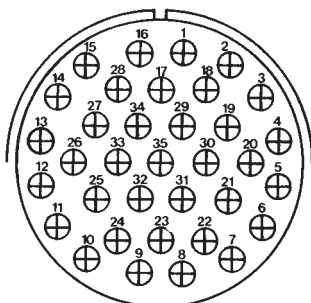
Insert arrangement	36-9	40A-31	36-20
No. of contacts	31	31	34
Contacts size	1-4,2-8,14-12,14-16	12	2-8,2-12,30-16
Service rating	A	D	A

35 CONTACTS

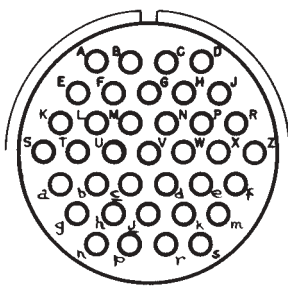


Insert arrangement	28-15	32-7	36-15
No. of contacts	35	35	35
Contacts size	16	7-12,28-16	16
Service rating	A	A,B,h,i=INST.;BAL.=A	M=D,BAL.=A

35 CONTACTS



37 CONTACTS



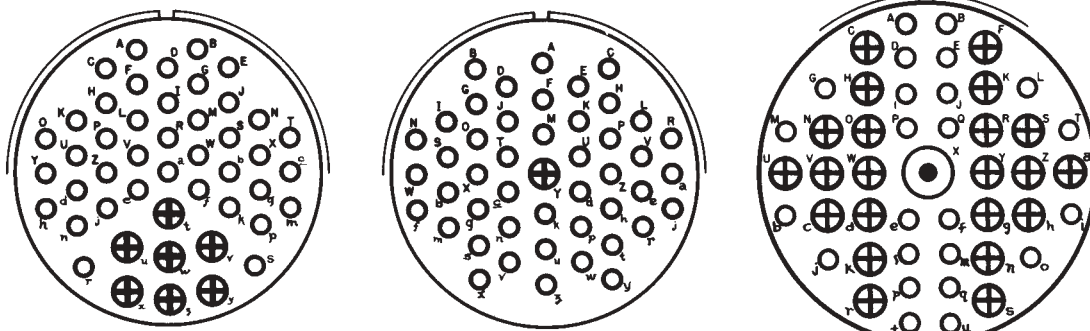
Insert arrangement	40A-35	28-21
No. of contacts	35	37
Contacts size	12	16
Service rating	D	A

CONTACT DIMENSIONS



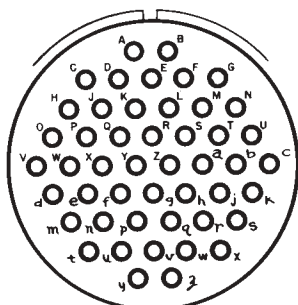
The diagrams show the front insert view in normal angular position

47 CONTACTS

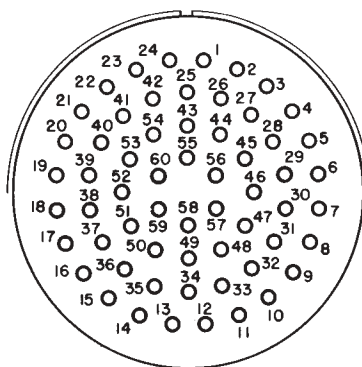


Insert arrangement	36-7	36-8	40-9
No. of contacts	47	47	47
Contacts size	7-12,40-16	1-12,46-16	1-8,22-12,24-16
Service rating	A	A	A

48 CONTACTS

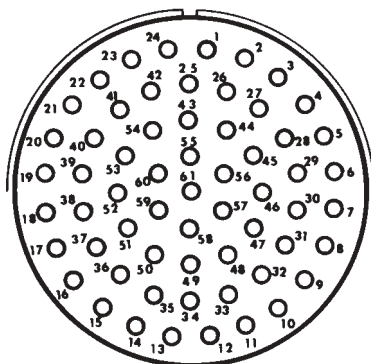


60 CONTACTS

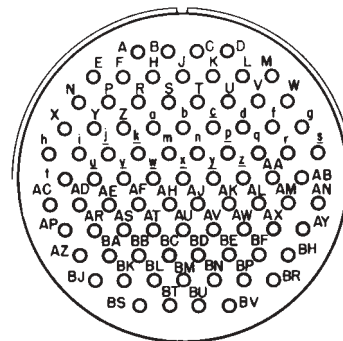


Insert arrangement	36-10	40-53
No. of contacts	48	60
Contacts size	16	16
Service rating	A	A

61 CONTACTS

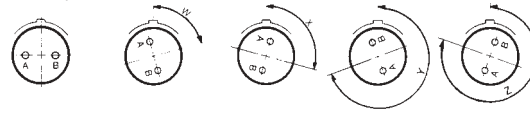


85 CONTACTS



Insert arrangement	40-63	40-56
No. of contacts	61	85
Contacts size	16	16
Service rating	A	A

CONTACT DIMENSIONS	16	12	8	4	0
--------------------	----	----	---	---	---



Polarization

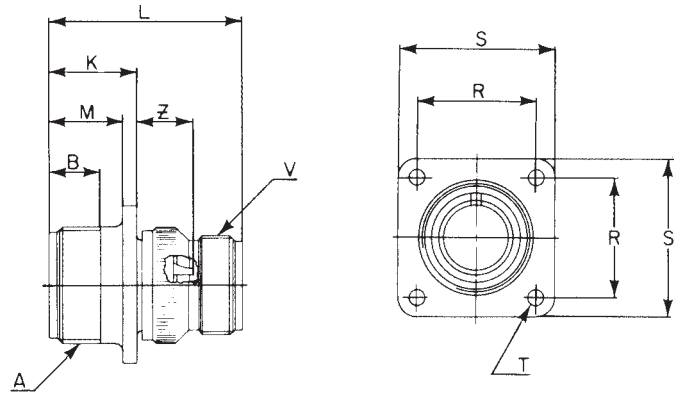
The diagrams indicate alternate insert positions (W, X, Y, Z and Normal) and different degree of rotation for various size and layouts. The exact angle of rotation for the combinations are listed in the table below.

INSERT	ANGULAR POS. (DEGREES)			
	W	X	Y	Z
10SL - 3	-	-	-	-
10SL - 4	-	-	-	-
14S - 2	-	120	240	-
14S - 5	-	110	-	-
14S - 6	-	-	-	-
14S - 7	90	180	270	-
14S - 9	70	145	215	290
16S - 1	80	-	-	280
16S - 5	70	145	215	290
16 - 7	80	110	250	280
16S - 8	-	170	265	-
16 - 9	35	110	250	325
16 - 10	90	180	270	-
16 - 11	35	110	250	325
16 - 12	-	-	-	-
18 - 1	70	145	215	290
18 - 3	35	110	250	325
18 - 4	35	110	250	325
18 - 5	80	110	250	280
18 - 6	-	-	-	-
18 - 7	-	-	-	-
18 - 8	70	-	-	290
18 - 9	80	110	250	280
18 - 10	-	120	240	-
18 - 11	-	170	265	-
18 - 12	80	-	-	280
18 - 13	80	110	250	280
18 - 14	80	110	250	280
18 - 16	-	-	-	-
18 - 19	-	-	-	-
18 - 20	90	180	270	-
18 - 22	70	145	215	290
18 - 29	90	180	270	-
20 - 2	-	-	-	-
20 - 3	70	145	215	290
20 - 4	45	110	250	-
20 - 6	70	145	215	290
20 - 7	80	110	250	280
20 - 8	80	110	250	280
20 - 9	80	110	250	280
20A - 9	-	110	250	-
20 - 11	-	-	-	-
20 - 12	80	110	250	280
20 - 14	80	110	250	280
20 - 15	80	-	-	280
20 - 16	80	110	250	280
20 - 17	90	180	270	-
20 - 18	35	110	250	325
20 - 19	90	180	270	-
20 - 20	80	110	250	280
20 - 21	35	110	250	325
20 - 22	80	110	250	280
20 - 23	35	110	250	325
20 - 24	35	110	250	325
20 - 27	35	110	250	325
20 - 29	80	-	-	280

INSERT	ANGULAR POS. (DEGREES)			
	W	X	Y	Z
20 - 33	-	-	-	-
20A - 48	-	80	280	-
22 - 1	35	110	250	325
22 - 2	70	145	215	290
22 - 4	35	110	250	325
22 - 5	35	110	250	325
22 - 6	80	120	250	280
22 - 7	-	-	-	-
22 - 8	35	110	250	325
22 - 9	70	145	215	290
22 - 10	35	110	250	325
22 - 11	35	110	250	325
22 - 12	80	110	250	280
22 - 13	35	110	250	325
22 - 14	80	110	250	280
22 - 15	80	110	250	280
22 - 16	80	110	250	280
22 - 17	80	110	250	280
22 - 18	80	110	250	280
22 - 19	80	110	250	280
22 - 20	35	110	250	325
22 - 21	80	110	250	280
22 - 22	-	110	250	-
22 - 23	35	-	250	-
22 - 24	80	110	250	280
22 - 27	80	-	250	280
22 - 28	80	-	-	280
22 - 33	80	110	250	280
22 - 34	80	110	250	280
24 - 2	80	-	-	280
24 - 3	80	110	250	280
24 - 5	80	110	250	280
24 - 6	-	110	250	280
24 - 7	80	110	250	280
24A - 7	80	-	-	280
24 - 9	35	110	250	325
24 - 10	80	-	-	280
24 - 11	35	110	250	325
24 - 12	80	110	250	280
24 - 013	-	-	-	-
24 - 16	80	110	250	280
24 - 17	80	110	250	280
24 - 20	80	110	250	280
24 - 21	80	110	250	280
24 - 22	45	110	250	-
24 - 27	80	-	-	280
24 - 28	80	110	250	280
28 - 1	80	110	250	280
28 - 2	35	110	250	325
28 - 3	70	145	215	290
28 - 4	80	110	250	280
28 - 5	35	110	250	325
28 - 6	70	145	215	290
28 - 7	35	110	250	325
28 - 8	80	110	250	280

INSERT	ANGULAR POS. (DEGREES)			
	W	X	Y	Z
28 - 9	80	110	250	280
28 - 10	80	110	250	280
28 - 11	80	110	250	280
28 - 12	90	180	270	-
28 - 15	80	110	250	280
28 - 16	80	110	250	280
28 - 17	80	110	250	280
28 - 18	70	145	215	290
28 - 19	80	110	250	280
28 - 20	80	110	250	280
28 - 21	80	110	250	280
28 - 22	70	145	215	290
28 - 51	80	135	195	-
28A - 63	-	110	250	-
32 - 1	80	110	250	280
32 - 2	70	145	215	290
32 - 3	80	110	250	280
32 - 4	80	110	250	280
32 - 5	35	110	250	325
32 - 6	80	110	250	280
32 - 7	80	125	235	280
32 - 8	80	125	235	280
32 - 9	80	110	250	280
32 - 10	80	110	250	280
32 - 12	80	110	250	280
32 - 13	80	110	250	280
32A - 13	65	130	230	295
32 - 15	35	110	250	280
32 - 17	45	110	250	-
32 - 31	-	-	-	-
36 - 1	80	110	250	280
36 - 3	70	145	215	290
36 - 4	70	145	215	290
36 - 5	-	120	240	-
36 - 6	35	110	250	325
36 - 7	80	110	250	280
36 - 8	80	125	235	280
36 - 9	80	125	235	280
36 - 10	80	125	235	280
36 - 13	80	110	250	280
36 - 14	90	180	270	-
36 - 15	60	125	245	305
36 - 20	-	-	-	-
36A - 22	80	110	250	280
36 - 54	-	-	-	-
36 - 74	-	-	-	-
40 - 1	65	130	235	300
40 - 9	65	125	225	310
40 - 10	65	125	225	310
40 - 26	-	-	-	-
40A - 31	80	110	250	280
40A - 35	70	130	230	290
40 - 53	-	-	-	-
40 - 56	72	144	216	288
40 - 63	-	-	-	-

Series AC00A/MS3100A Series AC00R/MS3100R Wall Mount Receptacle

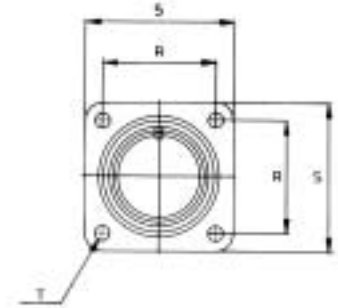
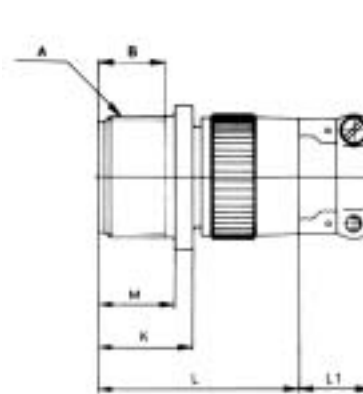


DIMENSIONS IN INCHES										
SHELL SIZE	A Thread Class 2A	B min.	K ± .008	L ± .020	M ± .008	R ± .004	S ± .008	T ± .004	V Thread Class 2A	Z* ± .060
10SL	.625-24 UNEF	.394	.677	1.575	.567	.717	1.000	.126	.625-24 UNEF	0.427
14S	.875-20 UNEF	.394	.693	1.575	.567	.906	1.181	.126	.750-20 UNEF	0.411
16S	1.000-20 UNEF	.394	.693	1.575	.567	.969	1.280	.126	.875-20 UNEF	0.411
16	1.000-20 UNEF	.638	.882	2.016	.756	.969	1.280	.126	.875-20 UNEF	0.650
18	1.125-18 UNEF	.638	.909	2.016	.756	1.063	1.378	.126	1.000-20 UNEF	0.622
20	1.250-18 UNEF	.638	.909	2.016	.756	1.157	1.496	.126	1.875-18 UNE	0.622
22	1.375-18 UNEF	.638	.909	2.016	.756	1.252	1.614	.126	1.875-18 UNE	0.622
24	1.500-18 UNEF	.638	.972	2.067	.819	1.374	1.752	.146	1.4375-18 UNE	0.559
28	1.750-18 UNS	.638	.972	2.382	.819	1.563	2.000	.146	1.4375-18 UNE	0.559
32	2.000-18 UNS	.689	1.035	2.516	.882	1.752	2.244	.169	1.750-18 UNS	0.496
36	2.250-16 UN	.689	1.035	2.642	.882	1.937	2.500	.169	2.000-18 UNS	0.496
40	2.500-16 UN	.689	1.035	2.642	.882	1.937	2.500	.169	2.250-16 UN	0.496

When insert includes A size "O" contact, increase "Z" by .315 inch.

DIMENSIONS IN MILLIMETERS										
SHELL SIZE	A Thread Class 2A	B min.	K ± .2	L ± .5	M ± .2	R ± .1	S ± .2	T ± .1	V Thread Class 2A	Z* ± 1.5
10SL	.625-24 UNEF	10.0	17.2	40.0	14.4	18.2	25.4	3.2	.625-24 UNEF	10.85
14S	.875-20 UNEF	10.0	17.6	40.0	14.4	23.0	30.0	3.2	.750-20 UNEF	10.45
16S	1.000-20 UNEF	10.0	17.6	40.0	14.4	24.6	32.5	3.2	.875-20 UNEF	10.45
16	1.000-20 UNEF	16.2	22.4	51.2	19.2	24.6	32.5	3.2	.875-20 UNEF	16.50
18	1.125-18 UNEF	16.2	23.1	51.2	19.2	27.0	35.0	3.2	1.000-20 UNEF	15.80
20	1.250-18 UNEF	16.2	23.1	51.2	19.2	29.4	38.0	3.2	1.1875-18 UNE	15.80
22	1.375-18 UNEF	16.2	23.1	51.2	19.2	31.8	41.0	3.2	1.1875-18 UNE	15.80
24	1.500-18 UNEF	16.2	24.7	52.5	20.8	34.9	44.5	3.7	1.4375-18 UNE	14.20
28	1.750-18 UNS	16.2	24.7	60.5	20.8	39.7	50.8	3.7	1.4375-18 UNE	14.20
32	2.000-18 UNS	17.5	26.3	63.9	22.4	44.5	57.0	4.3	1.750-18 UNS	12.60
36	2.250-16 UN	17.5	26.3	67.1	22.4	49.2	63.5	4.3	2.000-18 UNS	12.60
40	2.500-16 UN	17.5	26.3	67.1	22.4	55.6	70.2	4.3	2.250-16 UN	12.60

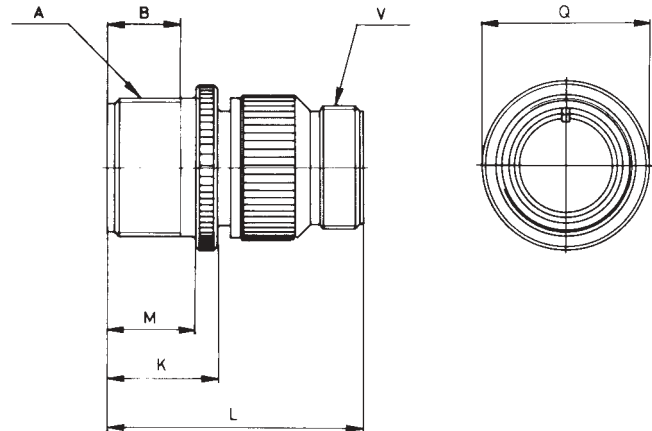
When insert includes A size "O" contact, increase "Z" by 8mm.



DIMENSIONS IN INCHES									
SHELL SIZE	A Thread Class 2A	B min.	K ± .008	L ± .020	L1 ± .008	M ± .008	R ± .004	S ± .008	T ± .004
10SL	.625-24 UNEF	.394	.677	1.575	.520	.567	.717	1.000	.126
14S	.875-20 UNEF	.394	.693	1.575	.520	.567	.906	1.181	.126
16S	1.000-20 UNEF	.394	.693	1.575	.520	.567	.969	1.280	.126
16	1.000-20 UNEF	.638	.882	1.976	.531	.756	.969	1.280	.126
18	1.125-18 UNEF	.638	.909	1.957	.669	.756	1.063	1.378	.126
20	1.250-18 UNEF	.638	.909	1.957	.669	.756	1.157	1.496	.126
22	1.375-18 UNEF	.638	.909	1.957	.669	.756	1.252	1.614	.126
24	1.500-18 UNEF	.638	.972	2.067	.768	.819	1.374	1.752	.146
28	1.750-18 UNS	.638	.972	2.185	.768	.819	1.563	2.000	.146
32	2.000-18 UNS	.689	1.035	2.189	.768	.882	1.752	2.244	.169
36	2.250-16 UN	.689	1.035	2.071	1.083	.882	1.937	2.500	.169
40	2.500-16 UN	.689	1.035	2.071	1.083	.882	2.189	2.764	.169

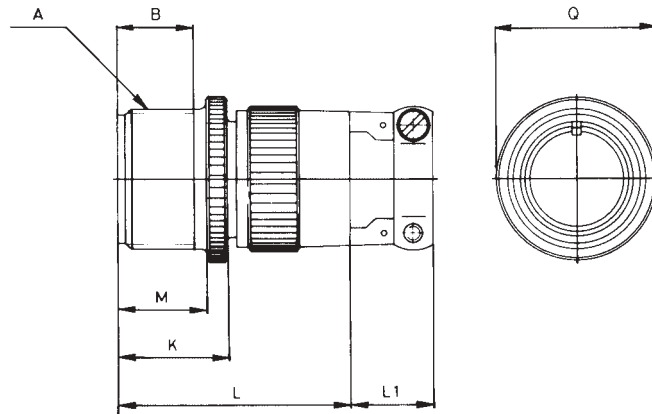
DIMENSIONS IN MILLIMETERS									
SHELL SIZE	A Thread Class 2A	B min.	K ± .2	L ± .5	L1 ± .2	M ± .2	R ± .1	S ± .2	T ± .1
10SL	.625-24 UNEF	10.0	17.2	40.0	13.2	14.4	18.2	25.4	3.2
14S	.875-20 UNEF	10.0	17.6	40.0	13.2	14.4	23.0	30.0	3.2
16S	1.000-20 UNEF	10.0	17.6	40.0	13.2	14.4	24.6	32.5	3.2
16	1.000-20 UNEF	16.2	22.4	50.2	13.5	19.2	24.6	32.5	3.2
18	1.125-18 UNEF	16.2	23.1	49.7	17.0	19.2	27.0	35.0	3.2
20	1.250-18 UNEF	16.2	23.1	49.7	17.0	19.2	29.4	38.0	3.2
22	1.375-18 UNEF	16.2	23.1	49.7	17.0	19.2	31.8	41.0	3.2
24	1.500-18 UNEF	16.2	24.7	52.5	19.5	20.8	34.9	44.5	3.7
28	1.750-18 UNS	16.2	24.7	55.5	19.5	20.8	39.7	50.8	3.7
32	2.000-18 UNS	17.5	26.3	55.6	19.5	22.4	44.5	57.0	4.3
36	2.250-16 UN	17.5	26.3	52.6	27.5	22.4	49.2	63.5	4.3
40	2.500-16 UN	17.5	26.3	52.6	27.5	22.4	55.6	70.2	4.3

Series AC01A/MS3101A Series AC01R/MS3101R In-Line Receptacle



DIMENSIONS IN INCHES							
SHELL SIZE	A Thread Class 2A	B min.	K ± .008	L ± .020	M ± .008	Q ± .020	V Thread Class 2A
10SL	.625-24 UNEF	.394	.677	1.575	.567	.976	.625-24 UNEF
14S	.875-20 UNEF	.394	.693	1.575	.567	1.165	.750-20 UNEF
16S	1.000-20 UNEF	.394	.693	1.575	.567	1.260	.875-20 UNEF
16	1.000-20 UNEF	.638	.882	2.016	.756	1.260	.875-20 UNEF
18	1.125-18 UNEF	.638	.909	2.016	.756	1.343	1.000-20 UNEF
20	1.250-18 UNEF	.638	.909	2.016	.756	1.500	1.1875-18 UNEF
22	1.375-18 UNEF	.638	.909	2.016	.756	1.622	1.1875-18 UNEF
24	1.500-18 UNEF	.638	.972	2.067	.819	1.764	1.4375-18 UNEF
28	1.750-18 UNS	.638	.972	2.382	.819	2.012	1.4375-18 UNEF
32	2.000-18 UNS	.689	1.035	2.516	.882	2.256	1.750-18 UNS
36	2.250-16 UN	.689	1.035	2.642	.882	2.512	2.000-18 UNS
40	2.500-16 UN	.689	1.035	2.642	.882	2.776	2.250-16 UN

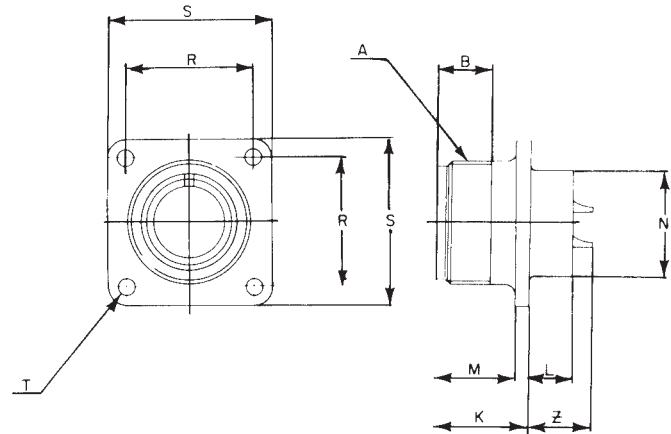
DIMENSIONS IN MILLIMETERS							
SHELL SIZE	A Thread Class 2A	B min.	K ± .2	L ± .5	M ± .2	Q ± .5	V Thread Class 2A
10SL	.625-24 UNEF	10.0	17.2	40.0	14.4	24.8	.625-24 UNEF
14S	.875-20 UNEF	10.0	17.6	40.0	14.4	29.6	.750-20 UNEF
16S	1.000-20 UNEF	10.0	17.6	40.0	14.4	32.0	.875-20 UNEF
16	1.000-20 UNEF	16.2	22.4	51.2	19.2	32.0	.875-20 UNEF
18	1.125-18 UNEF	16.2	23.1	51.2	19.2	34.1	1.000-20 UNEF
20	1.250-18 UNEF	16.2	23.1	51.2	19.2	38.1	1.1875-18 UNEF
22	1.375-18 UNEF	16.2	23.1	51.2	19.2	41.2	1.1875-18 UNEF
24	1.500-18 UNEF	16.2	24.7	52.5	20.8	44.8	1.4375-18 UNEF
28	1.750-18 UNS	16.2	24.7	60.5	20.8	51.1	1.4375-18 UNEF
32	2.000-18 UNS	17.5	26.3	63.9	22.4	57.3	1.750-18 UNS
36	2.250-16 UN	17.5	26.3	67.1	22.4	63.8	2.000-18 UNS
40	2.500-16 UN	17.5	26.3	67.1	22.4	70.5	2.250-16 UN



DIMENSIONS IN INCHES							
SHELL SIZE	A Thread Class 2A	B min.	K ± .008	L ± .020	L1 ± .008	M ± .008	Q ± .020
10SL	.625-24 UNEF	.394	.677	1.575	.520	.567	.976
14S	.875-20 UNEF	.394	.693	1.575	.520	.567	1.165
16S	1.000-20 UNEF	.394	.693	1.575	.520	.567	1.260
16	1.000-20 UNEF	.638	.882	1.976	.531	.756	1.260
18	1.125-18 UNEF	.638	.909	1.957	.669	.756	1.343
20	1.250-18 UNEF	.638	.909	1.957	.669	.756	1.500
22	1.375-18 UNEF	.638	.909	1.957	.669	.756	1.622
24	1.500-18 UNEF	.638	.972	2.067	.768	.819	1.764
28	1.750-18 UNS	.638	.972	2.185	.768	.819	2.012
32	2.000-18 UNS	.689	1.035	2.189	.768	.882	2.256
36	2.250-16 UN	.689	1.035	2.071	1.083	.882	2.512
40	2.500-16 UN	.689	1.035	2.071	1.083	.882	2.776

DIMENSIONS IN MILLIMETERS							
SHELL SIZE	A Thread Class 2A	B min.	K ± .2	L ± .5	L1 ± .2	M ± .2	Q ± .5
10SL	.625-24 UNEF	10.0	17.2	40.0	13.2	14.4	24.8
14S	.875-20 UNEF	10.0	17.6	40.0	13.2	14.4	29.6
16S	1.000-20 UNEF	10.0	17.6	40.0	13.2	14.4	32.0
16	1.000-20 UNEF	16.2	22.4	50.2	13.5	19.2	32.0
18	1.125-18 UNEF	16.2	23.1	49.7	17.0	19.2	34.1
20	1.250-18 UNEF	16.2	23.1	49.7	17.0	19.2	38.1
22	1.375-18 UNEF	16.2	23.1	49.7	17.0	19.2	41.2
24	1.500-18 UNEF	16.2	24.7	52.5	19.5	20.8	44.8
28	1.750-18 UNS	16.2	24.7	55.5	19.5	20.8	51.1
32	2.000-18 UNS	17.5	26.3	55.6	19.5	22.4	57.3
36	2.250-16 UN	17.5	26.3	52.6	27.5	22.4	63.8
40	2.500-16 UN	17.5	26.3	52.6	27.5	22.4	70.5

Series AC02A/MS3102A Series AC02R/MS3102R Box Mount Receptacle

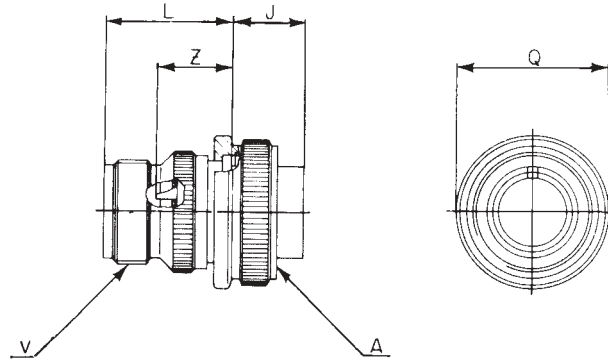


DIMENSIONS IN INCHES										
SHELL SIZE	A Thread Class 2A	B min.	K + .008	L + .004	M + .004	N + .004	R + .004	S + .008	T + .004	Z* + .059
10SL	.625-24 UNEF	.394	.677	.295	.567	.630	.717	1.000	.126	.427
14S	.875-20 UNEF	.394	.693	.280	.567	.754	.906	1.181	.126	.411
16S	1.000-20 UNEF	.394	.693	.280	.567	.880	.969	1.280	.126	.411
16	1.000-20 UNEF	.638	.882	.476	.756	.880	.969	1.280	.126	.650
18	1.125-18 UNEF	.638	.909	.449	.756	1.008	1.063	1.378	.126	.622
20	1.250-18 UNEF	.638	.909	.449	.756	1.130	1.157	1.496	.126	.622
22	1.375-18 UNEF	.638	.909	.449	.756	1.256	1.252	1.614	.126	.622
24	1.500-18 UNEF	.638	.972	.437	.819	1.382	1.374	1.752	.146	.559
28	1.750-18 UNS	.638	.972	.437	.819	1.630	1.563	2.000	.146	.559
32	2.000-18 UNS	.689	1.035	.437	.882	1.880	1.752	2.244	.169	.496
36	2.250-16 UN	.689	1.035	.437	.882	2.067	1.937	2.500	.169	.496
40	2.500-16 UN	.689	1.035	.437	.882	2.317	2.189	2.764	.169	.496

When insert includes A size "O" contact, increase "Z" by .315 inch.

DIMENSIONS IN MILLIMETERS										
SHELL SIZE	A Thread Class 2A	B min.	K + .2	L + .1	M + .1	N + .1	R + .1	S + .2	T + .1	Z* + 1.5
10SL	.625-24 UNEF	10.0	17.2	7.5	14.4	16.0	18.2	25.4	3.2	10.85
14S	.875-20 UNEF	10.0	17.6	7.1	14.4	19.15	23.0	30.0	3.2	10.45
16S	1.000-20 UNEF	10.0	17.6	7.1	14.4	22.35	24.6	32.5	3.2	10.45
16	1.000-20 UNEF	16.2	22.4	12.1	19.2	22.35	24.6	32.5	3.2	16.5
18	1.125-18 UNEF	16.2	23.1	11.4	19.2	25.6	27.0	35.0	3.2	15.8
20	1.250-18 UNEF	16.2	23.1	11.4	19.2	28.7	29.4	38.0	3.2	15.8
22	1.375-18 UNEF	16.2	23.1	11.4	19.2	31.9	31.8	41.0	3.2	15.8
24	1.500-18 UNEF	16.2	24.7	11.1	20.8	35.1	34.9	44.5	3.7	14.2
28	1.750-18 UNS	16.2	24.7	11.1	20.8	41.4	39.7	50.8	3.7	14.2
32	2.000-18 UNS	17.5	26.3	11.1	22.4	47.75	44.50	57.0	4.3	12.6
36	2.250-16 UN	17.5	26.3	11.1	22.4	52.5	49.2	63.5	4.3	12.6
40	2.500-16 UN	17.5	26.3	11.1	22.4	58.85	55.6	70.2	4.3	12.6

When insert includes A size "O" contact, increase "Z" by 8mm.



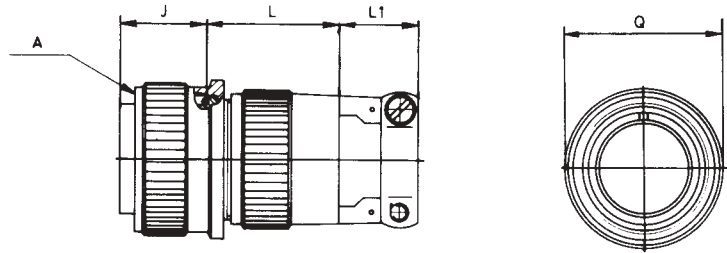
DIMENSIONS IN INCHES						
SHELL SIZE	A Thread Class 2B	J ± .004	L ± .020	Q ± .020	V Thread Class 2A	Z* ± .059
10SL	.625-24 UNEF	.531	1.043	.906	.625-24 UNEF	.571
14S	.875-20 UNEF	.531	1.043	1.102	.750-20 UNEF	.571
16S	1.000-20 UNEF	.531	1.043	1.240	.875-20 UNEF	.571
16	1.000-20 UNEF	.717	1.299	1.240	.875-20 UNEF	.815
18	1.125-18 UNEF	.717	1.299	1.343	1.000-20 UNEF	.815
20	1.250-18 UNEF	.717	1.299	1.469	1.1875-18 UNEF	.815
22	1.375-18 UNEF	.717	1.299	1.587	1.1875-18 UNEF	.815
24	1.500-18 UNEF	.717	1.350	1.713	1.4375-18 UNEF	.815
28	1.750-18 UNS	.717	1.665	1.945	1.4375-18 UNEF	.815
32	2.000-18 UNS	.717	1.799	2.213	1.750-18 UNS	.815
36	2.250-16 UN	.717	1.925	2.468	2.000-18 UNS	.815
40	2.500-16 UN	.717	1.925	2.717	2.250-16 UN	.815

When insert includes A size "O" contact, increase "Z" by .315 inch

DIMENSIONS IN MILLIMETERS						
SHELL SIZE	A Thread Class 2B	J ± .1	L ± .5	Q ± .5	V Class 2A	Z* ± 1.5
10SL	.625-24 UNEF	13.5	26.5	23.0	.625-24 UNEF	14.5
14S	.875-20 UNEF	13.5	26.5	28.0	.750-20 UNEF	14.5
16S	1.000-20 UNEF	13.5	26.5	31.5	.875-20 UNEF	14.5
16	1.000-20 UNEF	18.2	33.0	31.5	.875-20 UNEF	20.7
18	1.125-18 UNEF	18.2	33.0	34.1	1.000-20 UNEF	20.7
20	1.250-18 UNEF	18.2	33.0	37.3	1.1875-18 UNEF	20.7
22	1.375-18 UNEF	18.2	33.0	40.3	1.1875-18 UNEF	20.7
24	1.500-18 UNEF	18.2	34.3	43.5	1.4375-18 UNEF	20.7
28	1.750-18 UNS	18.2	42.3	49.4	1.4375-18 UNEF	20.7
32	2.000-18 UNS	18.2	45.7	56.2	1.750-18 UNS	20.7
36	2.250-16 UN	18.2	48.9	62.7	2.000-18 UNS	20.7
40	2.500-16 UN	18.2	48.9	69.0	2.250-16 UN	20.7

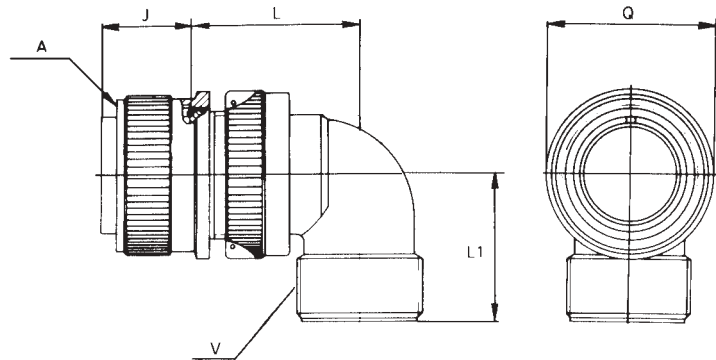
When insert includes A size "O" contact, increase "Z" by 8mm.

Series AC06F/MS3106F Straight Plug



DIMENSIONS IN INCHES					
SHELL SIZE	A Thread Class 2B	J ± .004	L ± .020	L1 ± .008	Q ± .020
10SL	.625-24 UNEF	.531	1.043	.520	.906
14S	.875-20 UNEF	.531	1.043	.520	1.102
16S	1.000-20 UNEF	.531	1.043	.520	1.240
16	1.000-20 UNEF	.717	1.260	.531	1.240
18	1.125-18 UNEF	.717	1.240	.669	1.343
20	1.250-18 UNEF	.717	1.240	.669	1.469
22	1.375-18 UNEF	.717	1.240	.669	1.587
24	1.500-18 UNEF	.717	1.350	.768	1.713
28	1.750-18 UNS	.717	1.469	.768	1.965
32	2.000-18 UNS	.717	1.472	.768	2.213
36	2.250-16 UN	.717	1.354	1.083	2.468
40	2.500-16 UN	.717	1.354	1.083	2.717

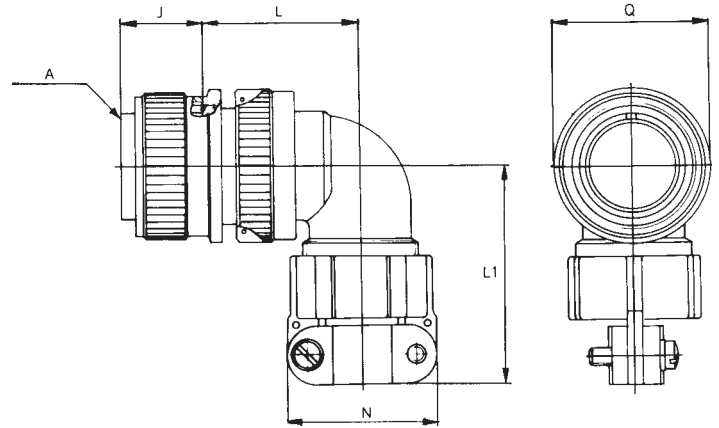
DIMENSIONS IN MILLIMETERS					
SHELL SIZE	A Thread Class 2B	J + .1	L + .5	L1 + .2	Q + .5
10SL	.625-24 UNEF	13.5	26.5	13.2	23.0
14S	.875-20 UNEF	13.5	26.5	13.2	28.0
16S	1.000-20 UNEF	13.5	26.5	13.2	31.5
16	1.000-20 UNEF	18.2	32.0	13.5	31.5
18	1.125-18 UNEF	18.2	31.5	17.0	34.1
20	1.250-18 UNEF	18.2	31.5	17.0	37.3
22	1.375-18 UNEF	18.2	31.5	17.0	40.3
24	1.500-18 UNEF	18.2	34.3	19.5	43.5
28	1.750-18 UNS	18.2	37.3	19.5	49.9
32	2.000-18 UNS	18.2	37.4	19.5	56.2
36	2.250-16 UN	18.2	34.4	27.5	62.7
40	2.500-16 UN	18.2	34.4	27.5	69.0



DIMENSIONS IN INCHES						
SHELL SIZE	A Thread Class 2B	J ± .004	L ± .020	L1 ± .020	Q ± .020	V Thread Class 2B
10SL	.625-24 UNEF	.531	.980	.945	.906	.625-24 UNEF
14S	.875-20 UNEF	.531	1.039	1.031	1.102	.750-20 UNEF
16S	1.000-20 UNEF	.531	1.169	1.094	1.240	.875-20 UNEF
16	1.000-20 UNEF	.717	1.370	1.094	1.240	.875-20 UNEF
18	1.125-18 UNEF	.717	1.476	1.189	1.343	1.000-20 UNEF
20	1.250-18 UNEF	.717	1.594	1.252	1.469	1.1875-18 UNEF
22	1.375-18 UNEF	.717	1.697	1.319	1.587	1.1875-18 UNEF
24	1.500-18 UNEF	.717	1.744	1.378	1.713	1.4375-18 UNEF
28	1.750-18 UNS	.717	1.835	1.476	1.965	1.4375-18 UNEF
32	2.000-18 UNS	.717	2.063	1.713	2.213	1.750-18 UNS
36	2.250-16 UN	.717	2.220	1.831	2.468	2.000-18 UNS
40	2.500-16 UN	.717	2.378	1.988	2.717	2.250-16 UN

DIMENSIONS IN MILLIMETERS						
SHELL SIZE	A Thread Class 2B	J ± .1	L ± .5	L1 ± .5	Q ± .5	V Thread Class 2B
10SL	.625-24 UNEF	13.5	24.9	24.0	23.0	.625-24 UNEF
14S	.875-20 UNEF	13.5	26.4	26.2	28.0	.750-20 UNEF
16S	1.000-20 UNEF	13.5	29.7	27.8	31.5	.875-20 UNEF
16	1.000-20 UNEF	18.2	34.8	27.8	31.5	.875-20 UNEF
18	1.125-18 UNEF	18.2	37.5	30.2	34.1	1.000-18 UNEF
20	1.250-18 UNEF	18.2	40.5	31.8	37.3	1.1875-18 UNEF
22	1.375-18 UNEF	18.2	43.1	33.5	40.3	1.1875-18 UNEF
24	1.500-18 UNEF	18.2	44.3	35.0	43.5	1.4375-18 UNEF
28	1.750-18 UNS	18.2	46.6	37.5	49.9	1.4375-18 UNEF
32	2.000-18 UNS	18.2	52.4	43.5	56.2	1.750-18 UNS
36	2.250-16 UN	18.2	56.4	46.5	62.7	2.000-18 UNS
40	2.500-16 UN	18.2	60.4	50.5	69.0	2.250-16 UN

Series AC08F/MS3108F 90° Cable Plug

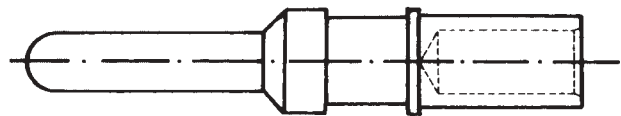
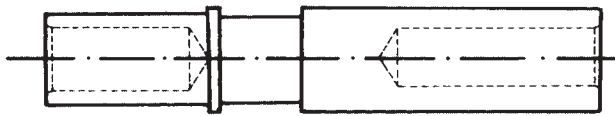


DIMENSIONS IN INCHES						
SHELL SIZE	A Thread Class 2B	J ± .004	L ± .020	L1 Max	N ± .031	Q ± .020
10SL	.625-24 UNEF	.531	.980	1.457	.878	.906
14S	.875-20 UNEF	.531	1.039	1.579	1.059	1.102
16S	1.000-20 UNEF	.531	1.169	1.689	1.157	1.240
16	1.000-20 UNEF	.717	1.370	1.689	1.157	1.240
18	1.125-18 UNEF	.717	1.476	1.780	1.252	1.343
20	1.250-18 UNEF	.717	1.594	1.862	1.469	1.469
22	1.375-18 UNEF	.717	1.697	1.929	1.469	1.587
24	1.500-18 UNEF	.717	1.744	2.083	1.689	1.713
28	1.750-18 UNS	.717	1.835	2.181	1.689	1.965
32	2.000-18 UNS	.717	2.063	2.339	2.031	2.213
36	2.250-16 UN	.717	2.220	2.535	2.280	2.468
40	2.500-16 UN	.717	2.378	3.189	2.689	2.717

DIMENSIONS IN MILLIMETERS						
SHELL SIZE	A Thread Class 2B	J ± .1	L ± .5	L1 Max	N ± .8	Q ± .5
10SL	.625-24 UNEF	13.5	24.9	37.0	22.3	23.0
14S	.875-20 UNEF	13.5	26.4	40.1	26.9	28.0
16S	1.000-20 UNEF	13.5	29.7	42.9	29.4	31.5
16	1.000-20 UNEF	18.2	34.8	42.9	29.4	31.5
18	1.125-18 UNEF	18.2	37.5	45.2	31.8	34.1
20	1.250-18 UNEF	18.2	40.5	47.3	37.3	37.3
22	1.375-18 UNEF	18.2	43.1	49.0	37.3	40.3
24	1.500-18 UNEF	18.2	44.3	52.9	42.9	43.5
28	1.750-18 UNS	18.2	46.6	55.4	42.9	49.9
32	2.000-18 UNS	18.2	52.4	59.4	51.6	56.2
36	2.250-16 UN	18.2	56.4	64.4	57.9	62.7
40	2.500-16 UN	18.2	60.4	81.0	68.3	69.0

CONTACT RATING					
Contact Type (Size)	16	12	8	4	0
Rated Current, Max. A	22	41	73	135	245
Operating current, A	13	23	46	80	150
Test Current, A	20	35	60	110	200
Voltage Drop mV	35	30	25	20	20

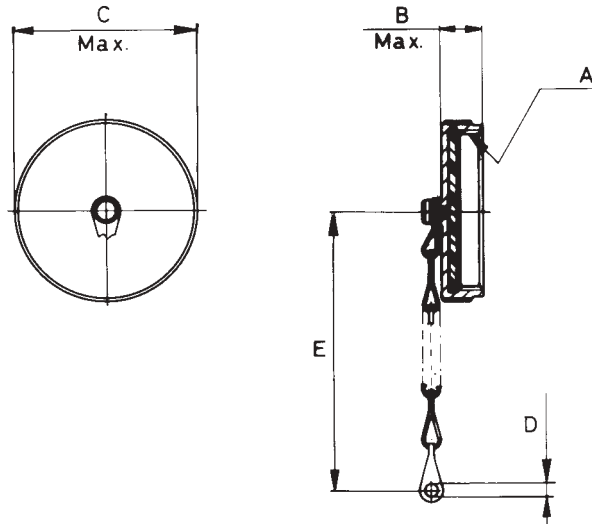
VOLTAGE RATING						
Symbol	I	A	D	E	B	C
Operating, V D.C.	250	700	1250	1750	2450	4200
Operating, V A.C.	200	500	900	1250	1750	3000
Test, V R.M.S.	1000	2000	2800	3500	4500	7000



FEMALE			
Part. No.	Size	Mm. ² Cross Section	AWG
857-0657-130	16S	1 - 1.5	16
857-0658-130	16	1 - 1.5	16
857-0724-130	16	0.5	20
857-0725-130	16	2	14
857-0726-130	12	0.5	20
857-0727-130	12	1	18
857-0728-130	12	1.25 - 2	16 -14
857-0730-130	12	2.5	2.5
857-0659-130	12	3	12
857-0731-130	12	4	4
857-0732-130	12	6	6
857-0641-130	8	9	8
857-0733-130	8	10	10
857-0663-130	4	22	4
857-0664-130	0	53	0

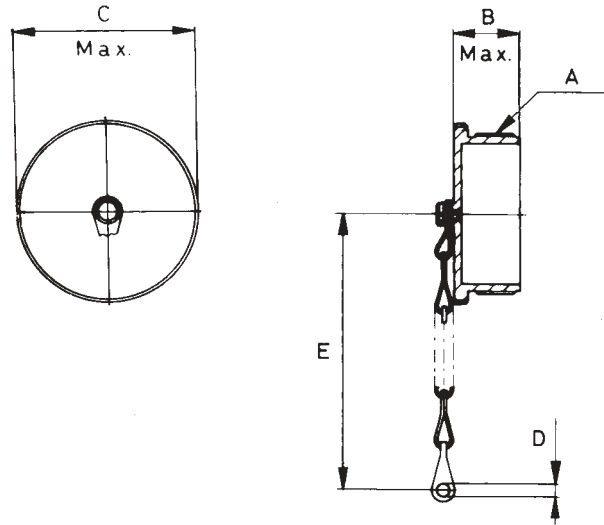
MALE			
Part. No.	Size	Mm. ² Cross Section	AWG
806-0645-130	16S	1 - 1.5	16
806-0646-130	16	1 - 1.5	16
806-0715-130	16	0.5	20
806-0716-130	16	2	14
806-0717-130	12	0.5	20
806-0718-130	12	1	18
806-0719-130	12	1.25 - 2	16 -14
806-0720-130	12	2.5	2.5
806-0647-130	12	3	12
806-0721-130	12	4	4
806-0722-130	12	6	6
806-0648-130	8	9	8
806-0723-130	8	10	10
806-0649-130	4	22	4
806-0650-130	0	53	0

MS25043 Dust Caps for Receptacle Connectors (AC00/AC01/AC02)



DIMENSIONS IN INCHES						
Part No.	Size	A	B ± .012	C ± .012	D	E
AC043-10 D	10SL	.625 - 24	.453	.791	.142	4.016
AC043-14 D	14 - 14S	.876 - 20	.453	1.059	.142	4.528
AC043-16 D	16 - 16S	1.000 - 20	.453	1.173	.142	4.528
AC043-18 D	18	1.125 - 18	.453	1.299	.142	4.528
AC043-20 D	20	1.250 - 18	.453	1.427	.142	5.000
AC043-22 D	22	1.375 - 18	.453	1.569	.142	5.000
AC043-24 D	24	1.500 - 18	.453	1.693	.167	5.512
AC043-28 D	28	1.750 - 18	.530	1.937	.167	7.756
AC043-32 D	32	2.000 - 18	.530	2.185	.189	7.756
AC043-36 D	36	2.250 - 16	.530	2.449	.189	7.756
AC043-40 D	40	2.500 - 16	.530	2.689	.189	7.756

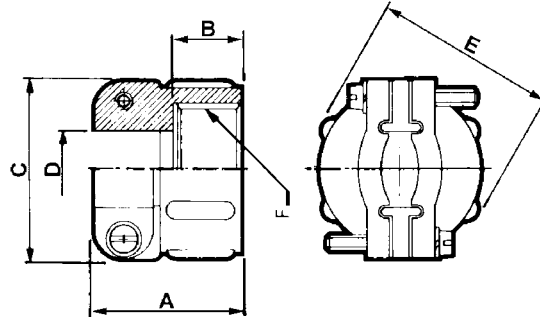
DIMENSIONS IN MILLIMETERS						
Part No.	Size	A	B ± .3	C ± .3	D	E
AC043-10 D	10SL	.625 - 24	11.50	20.1	3.60	102
AC043-14 D	14 - 14S	.876 - 20	11.50	26.9	3.60	115
AC043-16 D	16 - 16S	1.000 - 20	11.50	29.8	3.60	115
AC043-18 D	18	1.125 - 18	11.50	33.0	3.60	115
AC043-20 D	20	1.250 - 18	11.50	36.25	3.60	127
AC043-22 D	22	1.375 - 18	11.50	39.85	3.60	127
AC043-24 D	24	1.500 - 18	11.50	43.0	4.25	140
AC043-28 D	28	1.750 - 18	13.45	49.2	4.25	197
AC043-32 D	32	2.000 - 18	13.45	55.5	4.80	197
AC043-36 D	36	2.250 - 16	13.45	62.2	4.80	197
AC043-40 D	40	2.500 - 16	13.45	68.3	4.80	197



DIMENSIONS IN INCHES						
Part No.	Size	A	B ± .012	C ± .012	D	E
AC042-10 D	10SL	.625 - 24	.636	.681	.157	4.016
AC042-14 D	14 - 14S	.875 - 20	.823	.925	.157	4.528
AC042-16 D	16 - 16S	1.000 - 20	.823	1.055	.157	4.528
AC042-18 D	18	1.125 - 18	.823	1.181	.157	4.528
AC042-20 D	20	1.250 - 18	.823	1.291	.189	5.000
AC042-22 D	22	1.375 - 18	.823	1.429	.189	5.000
AC042-24 D	24	1.500 - 18	.823	1.555	.189	5.512
AC042-28 D	28	1.750 - 18	.823	1.803	.189	7.756
AC042-32 D	32	2.000 - 18	.823	2.055	.217	7.756
AC042-36 D	36	2.250 - 16	.823	2.303	.217	7.756
AC042-40 D	40	2.500 - 16	.823	2.551	.217	7.756

DIMENSIONS IN MILLIMETERS						
Part No.	Size	A	B ± .3	C ± .3	D	E
AC042-10 D	10SL	.625 - 24	16.15	17.3	4.0	102
AC042-14 D	14 - 14S	.875 - 20	20.9	23.5	4.0	115
AC042-16 D	16 - 16S	1.000 - 20	20.9	26.8	4.0	115
AC042-18 D	18	1.125 - 18	20.9	30.0	4.0	115
AC042-20 D	20	1.250 - 18	20.9	32.8	4.8	127
AC042-22 D	22	1.375 - 18	20.9	36.3	4.8	127
AC042-24 D	24	1.500 - 18	20.9	39.5	4.8	140
AC042-28 D	28	1.750 - 18	20.9	45.8	4.8	197
AC042-32 D	32	2.000 - 18	20.9	52.2	5.5	197
AC042-36 D	36	2.250 - 16	20.9	58.5	5.5	197
AC042-40 D	40	2.500 - 16	20.9	64.8	5.5	197

MS3057A Cable Strain Relief Clamp

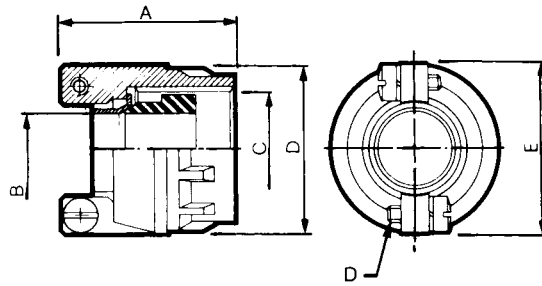


DIMENSIONS IN INCHES

Part No.	Size	Used with Sleeve	A ± .8	B	D Max	E-C ± .8	F Thread Class 2B
MS3057 - 4A	10SL - 12 - 12S	MS 3420 - 4	.811	.413	.315	.866	.625 -24 UNEF
MS3057 - 6A	14 - 14S	MS 3420 - 6	.874	.413	.433	1.063	.750 - 20 UNEF
MS3057 - 8A	16 - 16S	MS 3420 - 8	.945	.413	.559	1.142	.850 - 20 UNEF
MS3057 - 10A	18	MS 3420 - 10	.945	.413	.622	1.299	1.000 - 20 UNEF
MS3057 - 12A	20 - 22	MS 3420 - 12	.945	.413	.748	1.457	1.1875 - 18 NEF
MS3057 - 16A	24 - 28	MS 3420 - 16	1.024	.413	.937	1.693	1.4375 - 18 NEF
MS3057 - 20A	32	MS 3420 - 20	1.094	.429	1.252	2.031	1.750 - 18 NS
MS3057 - 24A	36	MS 3420 - 24	1.157	.531	1.378	2.283	2.000 - 18 NS
MS3057 - 28A	40	MS 3420 - 28	1.689	.531	1.626	2.689	2.250 - 16 UN

DIMENSIONS IN MILLIMETERS

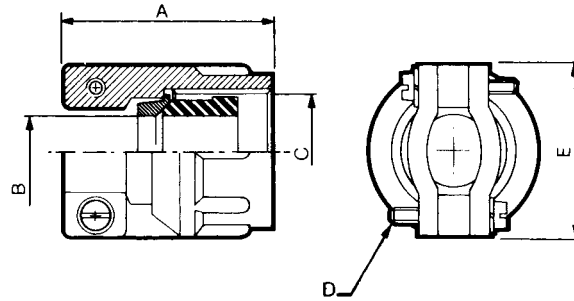
Part No.	Size	Used with Sleeve	A ± .8	B	D Max	E-C ± .8	F Thread Class 2B
MS3057 - 4A	10SL - 12 - 12S	MS 3420 - 4	20.6	10.5	8.0	22.0	.625 -24 UNEF
MS3057 - 6A	14 - 14S	MS 3420 - 6	22.2	10.5	11.0	27.0	.750 - 20 UNEF
MS3057 - 8A	16 - 16S	MS 3420 - 8	24.0	10.5	14.2	29.0	.850 - 20 UNEF
MS3057 - 10A	18	MS 3420 - 10	24.0	10.5	15.8	33.0	1.000 - 20 UNEF
MS3057 - 12A	20 - 22	MS 3420 - 12	24.0	10.5	19.0	37.0	1.1875 - 18 NEF
MS3057 - 16A	24 - 28	MS 3420 - 16	26.0	10.5	23.8	43.0	1.4375 - 18 NEF
MS3057 - 20A	32	MS 3420 - 20	27.8	12.5	31.8	51.6	1.750 - 18 NS
MS3057 - 24A	36	MS 3420 - 24	29.4	13.5	35.0	58.0	2.000 - 18 NS
MS3057 - 28A	40	MS 3420 - 28	42.9	13.5	41.3	68.3	2.250 - 16 UN



DIMENSIONS IN INCHES								
Part No.	Size	A ± .02	B Open	B Closed	C Thread Class 2B	D Thread Class 2	E ± .008	Used with Sleeve
MS3057 - 4B	10SL - 12 - 12S	1.272	.312	.094	.625 -24 UNEF	6 - 32 NC	.890	MS 3420 - 4A
MS3057 - 6B	14 - 14S	1.272	.438	.230	.750 - 20 UNEF	6 - 32 NC	1.016	MS 3420 - 6A MS 3420 - 4A
MS3057 - 8B	16 - 16S	1.272	.531	.315	.850 - 20 UNEF	6 - 32 NC	1.106	MS 3420 - 8A MS 3420 - 6A
MS3057 - 10B	18	1.390	.625	.378	1.000 - 20 UNE	6 - 32 NC	1.220	MS 3420 - 10A MS 3420 - 6A
MS3057 - 12B	20 - 22	1.406	.748	.445	1.1875 - 18 NEF	8 - 32 NC	1.469	MS 3420 - 12A MS 3420 - 8A
MS3057 - 16B	24 - 28	1.516	.937	.610	1.4375 - 18 NEF	8 - 32 NC	1.654	MS 3420 - 16A MS 3420 - 12A MS 3420 - 8A
MS3057 - 20B	32	1.772	1.252	.937	1.750 - 18 NS	250 - 20 NC	2.165	MS 3420 - 20A MS 3420 - 16A MS 3420 - 12A
MS3057 - 24B	36	2.024	1.374	.969	2.000 - 18 NS	250 - 20 NC	2.283	MS 3420 - 24A MS 3420 - 18A MS 3420 - 16A
MS3057 - 28B	40	2.024	1.626	1.189	2.250 - 16 UN	250 - 20	2.539	MS 3420 - 28A MS 3420 - 20A MS 3420 - 16A

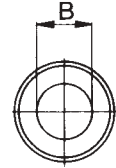
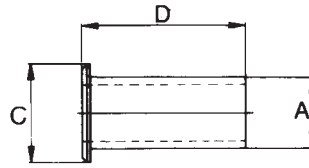
DIMENSIONS IN MILLIMETERS								
Part No.	Size	A ± .5	B Open	B Closed	C Thread Class 2B	D Thread Class 2	E ± .2	Used with Sleeve
MS3057 - 4B	10SL - 12 - 12S	32.3	7.93	2.38	.625 -24 UNEF	6 - 32 NC	22.6	MS 3420 - 4A
MS3057 - 6B	14 - 14S	32.3	11.12	5.84	.750 - 20 UNEF	6 - 32 NC	25.8	MS 3420 - 6A MS 3420 - 4A
MS3057 - 8B	16 - 16S	32.3	13.48	8.0	.850 - 20 UNEF	6 - 32 NC	28.1	MS 3420 - 8A MS 3420 - 6A
MS3057 - 10B	18	35.3	15.87	9.6	1.000 - 20 UNE	6 - 32 NC	31.0	MS 3420 - 10A MS 3420 - 6A
MS3057 - 12B	20 - 22	35.7	19.0	11.3	1.1875 - 18 NEF	8 - 32 NC	37.3	MS 3420 - 12A MS 3420 - 8A
MS3057 - 16B	24 - 28	38.5	23.8	15.5	1.4375 - 18 NEF	8 - 32 NC	42.0	MS 3420 - 16A MS 3420 - 12A MS 3420 - 8A
MS3057 - 20B	32	45.0	31.8	23.8	1.750 - 18 NS	250 - 20 NC	55.0	MS 3420 - 20A MS 3420 - 16A MS 3420 - 12A
MS3057 - 24B	36	51.4	34.9	24.6	2.000 - 18 NS	250 - 20 NC	58.0	MS 3420 - 24A MS 3420 - 18A MS 3420 - 16A
MS3057 - 28B	40	51.4	41.3	30.2	2.250 - 16 UN	250 - 20	64.5	MS 3420 - 28A MS 3420 - 20A MS 3420 - 16A

MS3057C Cable Strain Relief Clamp



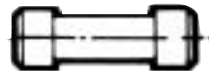
DIMENSIONS IN INCHES								
Part No.	Size	A ± .02	B Open	B Closed	C Thread Class 2B	D Thread Class 2	E ± .008	Used with Sleeve
MS3057 - 4C	10SL - 12 - 12S	1.272	.312	.094	.625 -24 UNEF	6 - 32 NC	.890	MS 3420 - 4A
MS3057 - 6C	14 - 14S	1.272	.438	.230	.750 - 20 UNEF	6 - 32 NC	1.016	MS 3420 - 6A MS 3420 - 4A
MS3057 - 8C	16 - 16S	1.272	.531	.315	.850 - 20 UNEF	6 - 32 NC	1.106	MS 3420 - 8A MS 3420 - 6A
MS3057 - 10C	18	1.390	.625	.378	1.000 - 18 UNE	6 - 32 NC	1.220	MS 3420 - 10A MS 3420 - 6A
MS3057 - 12C	20 - 22	1.406	.748	.445	1.1875 - 18 NEF	8 - 32 NC	1.469	MS 3420 - 12A MS 3420 - 8A
MS3057 - 16C	24 - 28	1.516	.937	.610	1.4375 - 18 NEF	8 - 32 NC	1.654	MS 3420 - 16A MS 3420 - 12A MS 3420 - 8A
MS3057 - 20C	32	1.772	1.245	.937	1.750 - 18 NS	250 - 20 NC	2.165	MS 3420 - 20A MS 3420 - 16A MS 3420 - 12A
MS3057 - 24C	36	2.024	1.374	.969	2.000 - 18 NS	250 - 20 NC	2.283	MS 3420 - 24A MS 3420 - 18A MS 3420 - 16A
MS3057 - 28C	40	2.024	1.626	1.189	2.250 - 16 UN	250 - 20	2.539	MS 3420 - 28A MS 3420 - 20A MS 3420 - 16A

DIMENSIONS IN MILLIMETERS								
Part No.	Size	A ±0.5	B Open	B Closed	C Thread Class 2B	D Thread Class 2	E ±0.2	Used with Sleeve
MS3057 - 4C	10SL - 12 - 12S	32.3	7.93	2.38	.625 -24 UNEF	6 - 32 NC	22.6	MS 3420 - 4A
MS3057 - 6C	14 - 14S	32.3	11.12	5.84	.750 - 20 UNEF	6 - 32 NC	25.8	MS 3420 - 6A MS 3420 - 4A
MS3057 - 8C	16 - 16S	32.3	13.48	8.00	.850 - 20 UNEF	6 - 32 NC	28.1	MS 3420 - 8A MS 3420 - 6A
MS3057 - 10C	18	35.3	15.87	9.60	1.000 - 18 UNE	6 - 32 NC	31.0	MS 3420 - 10A MS 3420 - 6A
MS3057 - 12C	20 - 22	35.7	19.0	11.30	1.1875 - 18 NEF	8 - 32 NC	37.3	MS 3420 - 12A MS 3420 - 8A
MS3057 - 16C	24 - 28	38.5	23.8	15.50	1.4375 - 18 NEF	8 - 32 NC	42.0	MS 3420 - 16A MS 3420 - 12A MS 3420 - 8A
MS3057 - 20C	32	45.0	31.75	23.80	1.750 - 18 NS	250 - 20 NC	55.0	MS 3420 - 20A MS 3420 - 16A MS 3420 - 12A
MS3057 - 24C	36	51.4	34.9	24.60	2.000 - 18 NS	250 - 20 NC	58.0	MS 3420 - 24A MS 3420 - 18A MS 3420 - 16A
MS3057 - 28C	40	51.4	41.3	30.20	2.250 - 16 UN	250 - 20	64.5	MS 3420 - 28A MS 3420 - 20A MS 3420 - 16A

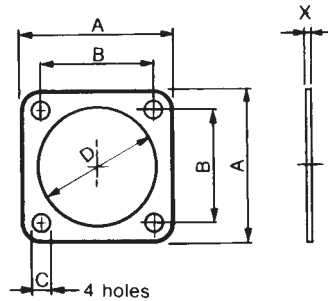
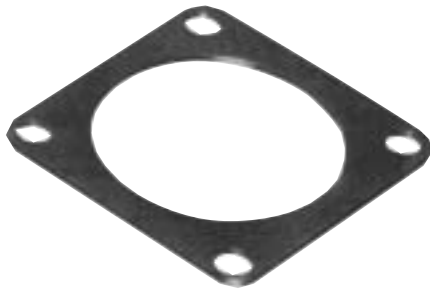


DIMENSIONS IN INCHES					
Part No.	Used with Cable Clamp	A	B	C	D
MS 3420 - 3	3057 - 3A	.209	.130	.374	2.874
MS 3420 - 4	3057 - 4A	.299	.220	.504	2.756
MS 3420 - 6	3057 - 6A	.425	.311	.618	2.638
MS 3420 - 8	3057 - 8A	.551	.437	.740	2.520
MS 3420 - 10	3057 - 10A	.614	.563	.866	2.402
MS 3420 - 12	3057 - 12A	.740	.626	1.059	2.244
MS 3420 - 16	3057 - 16A	.925	.752	1.311	2.087
MS 3420 - 20	3057 - 20A	1.240	.937	1.594	1.969
MS 3420 - 24	3057 - 24A	1.362	1.252	1.850	1.850
MS 3420 - 28	3057 - 28A	1.614	1.378	2.087	1.732

DIMENSIONS IN MILLIMETERS					
Part No.	Used with Cable Clamp	A	B	C	D
MS 3420 - 3	3057 - 3A	5.30	3.30	9.50	73.0
MS 3420 - 4	3057 - 4A	7.60	5.60	12.8	70.0
MS 3420 - 6	3057 - 6A	10.8	7.90	15.7	67.0
MS 3420 - 8	3057 - 8A	14.0	11.1	18.8	64.0
MS 3420 - 10	3057 - 10A	15.6	14.3	22.0	61.0
MS 3420 - 12	3057 - 12A	18.8	15.9	26.9	57.0
MS 3420 - 16	3057 - 16A	23.5	19.1	33.3	53.0
MS 3420 - 20	3057 - 20A	31.5	23.8	40.5	50.0
MS 3420 - 24	3057 - 24A	34.6	31.8	47.0	47.0
MS 3420 - 28	3057 - 28A	41.0	35.0	53.0	44.0



Part No.	Contact Size	Color
999-0228-020	20	Red
999-0228-016	16	Blue
999-0228-012	12	Yellow
999-0228-008	8	White
999-0228-004	4	Green
999-0228-000	0	Black



$X = 0.95 \pm 0.05$
 Polychloroprene gasket for panel moisture proofing. Used with connector types AC00/MS3100 and AC02/MS3102

$X = 0.7 \pm 0.01$
 Polychloroprene conductive gasket for panel moisture proofing and to ensure electrical continuity. Used with same types as std.

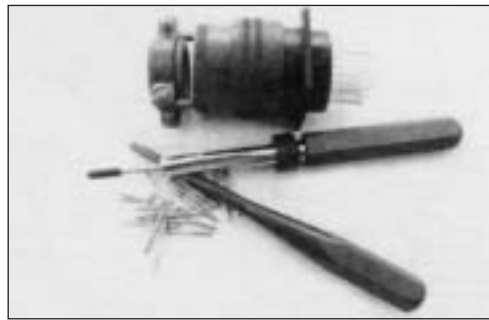
DIMENSIONS IN INCHES						
Std. Code	Size	A $\pm .020$	B $\pm .020$	C $\pm .020$	D $\pm .020$	Conductive Gasket Code
904-0045-010	10SL	.937	.719	.130	.626	904-0047-010
904-0045-012	12 - 12S	1.031	.811	.130	.752	904-0047-012
904-0045-014	14 - 14S	1.266	.906	.130	.878	904-0047-014
904-0045-016	16 - 16S	1.220	.969	.130	1.004	904-0047-016
904-0045-018	18	1.311	1.063	.130	1.126	904-0047-018
904-0045-020	20	1.437	1.156	.130	1.252	904-0047-020
904-0045-022	22	1.563	1.250	.130	1.378	904-0047-022
904-0045-024	24	1.689	1.374	.157	1.504	904-0047-024
904-0045-028	28	1.968	1.563	.197	1.752	904-0047-028
904-0045-032	32	2.244	1.750	.197	2.008	904-0047-032
904-0045-036	36	2.480	1.937	.197	2.205	904-0047-036
904-0045-040	40	2.717	2.187	.197	2.441	904-0047-040

DIMENSIONS IN MILLIMETERS						
Std. Code	Size	A $\pm .5$	B $\pm .5$	C $\pm .5$	D $\pm .5$	Conductive Gasket Code
904-0045-010	10SL	23.8	18.25	3.3	15.9	904-0047-010
904-0045-012	12 - 12S	26.2	20.60	3.3	19.1	904-0047-012
904-0045-014	14 - 14S	28.6	23.00	3.3	22.3	904-0047-014
904-0045-016	16 - 16S	31.0	24.60	3.3	25.5	904-0047-016
904-0045-018	18	33.3	27.00	3.3	28.6	904-0047-018
904-0045-020	20	36.5	29.35	3.3	31.8	904-0047-020
904-0045-022	22	39.7	31.75	3.3	35.0	904-0047-022
904-0045-024	24	42.9	34.90	4.0	38.2	904-0047-024
904-0045-028	28	50.0	39.70	5.0	44.5	904-0047-028
904-0045-032	32	57.0	44.45	5.0	51.0	904-0047-032
904-0045-036	36	63.0	49.20	5.0	56.0	904-0047-036
904-0045-040	40	69.0	55.55	5.0	62.0	904-0047-040

Other Quality Connectors



Reverse Bayonet 5015 Connectors



QPL'd MIL-C-26482 Series I
Solder and Crimp Connectors



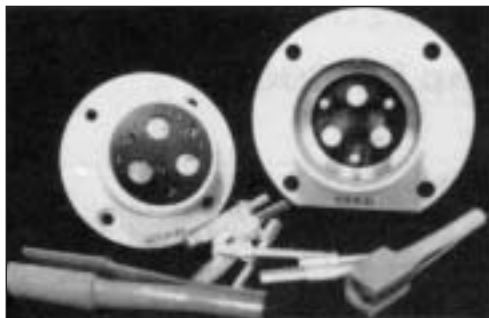
Quick Disconnect Connectors
Solder and Crimp Types



Special Cryogenic Connectors



Rugged Acme Thread Connectors
for Industrial Electrical Equipment



Buffet/Galley Connectors
Connectors, Receptacles and Plugs

Distributed in U.S.A. by:

Distributed in Europe by:

Avio-Diepen B. V.
P. O. Box 566
2400 AN Alphen aan den Rijn
The Netherlands
Ph: 31-(0) 172-449777
Fax: 31-(0) 172-499789
E-mail: avio-diepen@avio-diepen.com