

Fluorescent / Sign Ballast Capacitors



FLUORESCENT LIGHTING AND SIGN BALLAST — These capacitors are essential in high performance fluorescent lighting and sign lamp ballasts in which they are used as 1) starting aids, 2) as part of the current limiting circuit and 3) for power factor correction.

Depending on the voltage, capacitance and temperature rating, these products are assembled in one of four dielectric systems. Each capacitor dielectric is provided with an internal resistor for discharging the capacitor to less than 50 volts within 60 seconds after being removed from the circuit. Internal discharge resistors are available for capacitor ratings up to 700 VAC.

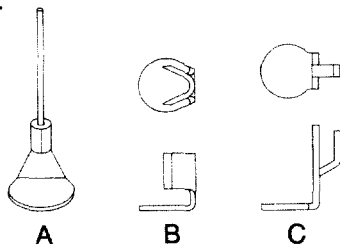
For fluorescent lighting ballasts, the SuperMet capacitor is produced with a unique micro-crystalline wax to protect the metallized film against the high temperature of the asphalt during the potting operation. As the capacitor is completely encapsulated with pitch, the wax coating melts and acts to absorb the heat. The temperature of the pitch must be controlled. If the temperature is excessive, the wax coating will not be sufficient in protecting the capacitor from damage.

Because the wax coated product is not UL listed, it is the customer's responsibility to determine acceptability of these **unprotected** designs in the final application.

Please consult the factory with your special application requirements. Standard terminal and resistor configurations are listed in the Accessories section of this catalog.

TERMINALS —

Standard Fluorescent Terminals.
Specify A, B, or C.



SuperMet®

Typical Ratings

Sizes For Ratings At 70°C Case Temperature

CATALOG PART NUMBER	CAPACITANCE	VOLTAGE	DIAMETER	LENGTH
U43B1306M	6.0	130	.846	1.61
U43B1307M	7.0	130	.894	1.61
U43B2704N	4.2	270	.850	1.61
U43B2704N	4.5	270	.871	1.61
U43B2705N	5.6	270	.944	1.61
U43B3104N	4.5	315	.870	1.61
U43B3203N	3.83	320	.813	1.61
U43B3204M	4.0	320	.825	1.61
U43B3302N	2.5	330	.782	1.61
U43B3303N	3.25	330	.855	1.61
U43B3303N	3.15	330	.845	1.61
U43B3303N	3.8	330	.811	1.61
U43B3502N	2.15	350	.821	1.61
U43B3503N	3.2	350	.850	1.61
U43B3503N	3.8	350	.933	1.61
U43B4002N	2.5	400	1.100	2.15
U43B4501N	1.7	450	.945	2.15
U43B5701N	1.5	575	1.014	2.15
U43B5701N	1.4	575	.987	2.15
U43B5702N	2.1	575	1.162	2.15
U43B5702N	2.4	575	1.229	2.15
U43B6002N	2.4	600	1.229	2.15
U43B6004N	4.0	600	1.534	2.15
U43B6601N	1.9	660	1.115	2.15
U43B7001N	1.7	700	1.189	2.15

AeroKraft®

Typical Ratings

Sizes For Ratings At 70°C Case Temperature

CATALOG PART NUMBER	CAPACITANCE	VOLTAGE	CASE STYLE	BASE SIZE IN.	CASE HEIGHT	
					IN.	mm
P49G3104Y	4.5	315	A1	1.25	2.13	54.0
P34G3303Y	3.25 + .05	330	H	1.00	2.13	54.0
P34G3303Y	3.50 + .05	330	H	1.00	2.13	54.0
P20G3503Y	3.3	350	H	1.00	2.13	54.0
P34G3802Y	2.6 + .05	380	H	1.00	2.13	54.0
P34G4001Y	1.8 + .10	400	H	1.00	2.00	50.8
P20G4602Y	2.5	460	H	1.00	2.13	54.0
P20G5202Y	2.25	525	H	1.00	2.19	55.6
P20G5701Y	1.3	575	H	1.00	2.00	50.8
P49G5702Y	2.25 + .075	575	A1	1.25	2.63	66.7
P20G6001E	1.0	600	H	1.00	2.13	54.0
P34G6002Y	2.45 + .075	600	H	1.00	2.38	60.3
P20G6601Y	1.9	660	H	1.00	2.38	60.3

Fluorescent / Sign Ballast Capacitors

AeroFoil®

Typical Ratings

Sizes For Ratings At 70°C Case Temperature

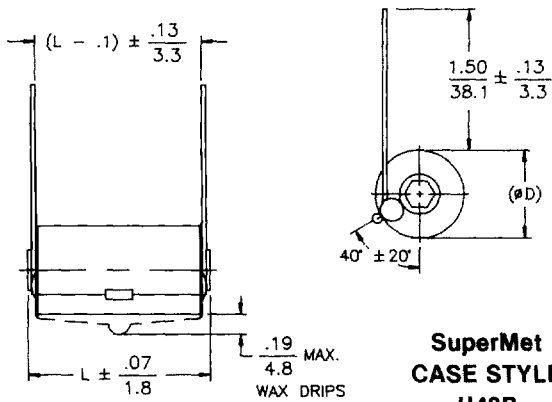
CATALOG PART NUMBER	CAPACITANCE	VOLTAGE	CASE STYLE	BASE SIZE IN.	CASE HEIGHT	
					IN.	mm
H49R5405Y	5.3 + .075	540	A1	1.25	2.88	73.0
H49R5503Y	3.6 + .075	550	A1	1.25	2.13	54.0
H49R5503Y	3.75 + .075	550	A1	1.25	2.13	54.0
H49R5702Y	2.75 + .075	575	A1	1.25	2.13	54.0
H49R5703Y	3.25 + .075	575	A1	1.25	2.13	54.0
H49R5703Y	3.90 + .075	575	A1	1.25	2.13	54.0
H49R6004Y	4.0 + .075	600	A1	1.25	2.38	60.3
H47R6004Y	4.7 + .090	600	B1	1.50	2.19	55.6
H47R6003Y	3.75 + .075	600	B1	1.50	2.19	55.6

AeroPak®

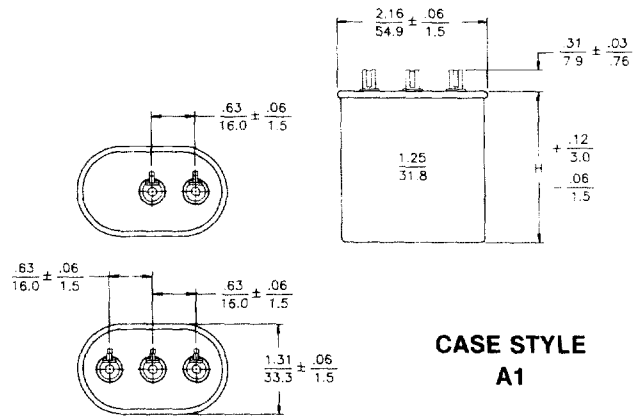
Typical Ratings

Sizes For Ratings At 70°C Case Temperature

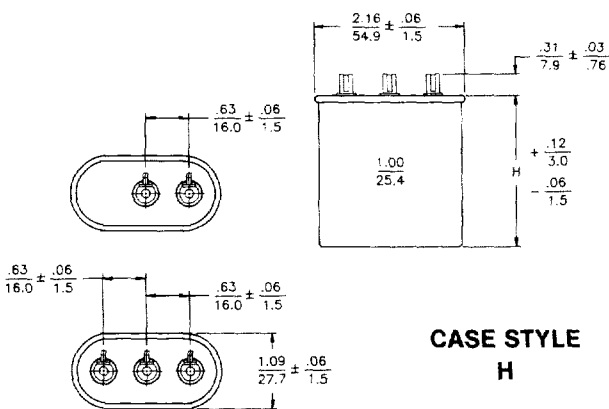
CATALOG PART NUMBER	CAPACITANCE	VOLTAGE	CASE STYLE	BASE SIZE IN.	CASE HEIGHT	
					IN.	mm
N49R7201Y	1.15 + .075	725	A1	1.25	2.13	54.0
N49R7502Y	2.5 + .075 + .075	750	A1	1.25	3.50	88.9
N49R7702Y	2.4 + .075	775	A1	1.25	3.50	88.9
N49R8101Y	1.25 + .075	810	A1	1.25	2.50	63.5
N49R8701Y	1.18 + .075 + .075	870	A1	1.25	2.50	63.5
N49R8702Y	2.2 + .075 + .075	870	A1	1.25	3.50	88.9
N49R8702Y	2.4 + .075 + .075	870	A1	1.25	3.88	98.4
N49R9001Y	1.95 + .075 + .075	900	A1	1.25	3.38	85.7
N49R9501Y	1.3	950	A1	1.25	3.25	82.6
N49R9601Y	1.86 + .075 + .075	960	A1	1.25	3.88	98.4
N20H9701Y	0.63	975	H	1.00	2.13	54.0
N34R1001Y	.075 + .075	1000	H	1.00	2.13	54.0
N49R1001Y	1.18	1000	A1	1.25	2.63	66.7
N47R1001Y	1.7 + .075 + .075	1000	B1	1.50	2.94	74.6



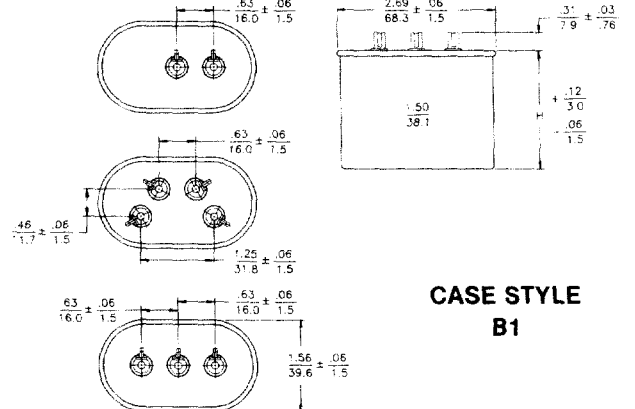
**SuperMet
CASE STYLE
U43B**



**CASE STYLE
A1**



**CASE STYLE
H**



**CASE STYLE
B1**