

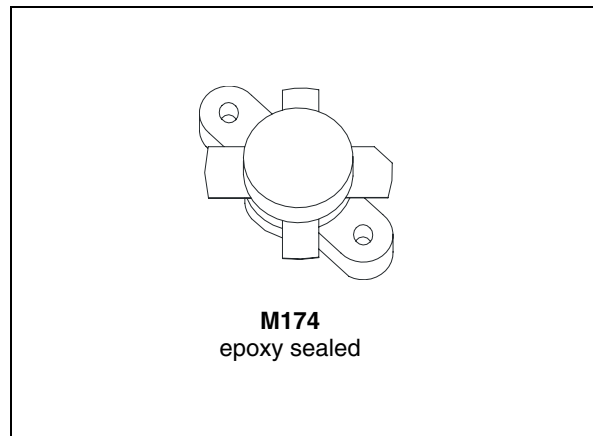
### Features

- Gold metallization
- Excellent thermal stability
- Common source configuration
- $P_{OUT} = 150\text{ W}$  min. with 14 dB gain @ 175 MHz
- Thermally enhanced packaging for lower junction temperatures
- $G_{FS}$  and  $V_{GS}$  sort marked on unit

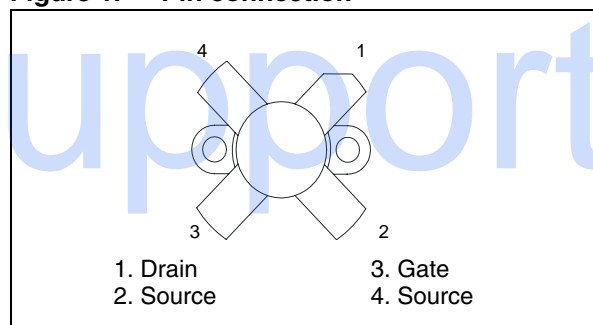
### Description

The SD2931-11 is a gold metallized N-channel MOS field-effect RF power transistor. Being electrically identical to the standard SD2931 MOSFET, it is intended for use in 50 V dc large signal applications up to 230 MHz.

The SD2931-11 is mechanical compatible to the SD2931 but offers in addition a better thermal capability (25% lower thermal resistance), representing the best-in-class transistors for ISM applications, where reliability and ruggedness are critical factors.



**Figure 1. Pin connection**



**Table 1. Device summary**

Order code	Marking	Package	Packing
SD2931-11	SD2931-11	M174 epoxy sealed	Tray

# Content

<b>1</b>	<b>Electrical data</b> .....	<b>3</b>
	1.1 Maximum ratings .....	3
	1.2 Thermal data .....	3
<b>2</b>	<b>Electrical specification</b> .....	<b>4</b>
<b>3</b>	<b>Impedance data</b> .....	<b>6</b>
<b>4</b>	<b>Typical performance</b> .....	<b>7</b>
<b>5</b>	<b>Typical performance 175 MHz</b> .....	<b>9</b>
<b>6</b>	<b>Test circuit</b> .....	<b>10</b>
<b>7</b>	<b>Typical performance 30 MHz</b> .....	<b>13</b>
<b>8</b>	<b>Test circuit 30 MHz</b> .....	<b>14</b>
<b>9</b>	<b>Package mechanical data</b> .....	<b>15</b>
<b>10</b>	<b>Revision history</b> .....	<b>17</b>

# 1 Electrical data

## 1.1 Maximum ratings

**Table 2. Absolute maximum ratings**

Symbol	Parameter	Value	Unit
$V_{(BR)DSS}$	Drain source voltage	125	V
$V_{DGR}$	Drain-gate voltage ( $R_{GS} = 1M\Omega$ )	125	V
$V_{GS}$	Gate-source voltage	$\pm 20$	V
$I_D$	Drain current	20	A
$P_{DISS}$	Power dissipation	389	W
$T_j$	Max. operating junction temperature	200	$^{\circ}C$
$T_{STG}$	Storage temperature	-65 to +150	$^{\circ}C$

## 1.2 Thermal data

**Table 3. Thermal data**

Symbol	Parameter	Value	Unit
$R_{th(j-c)}$	Junction -case thermal resistance	0.45	$^{\circ}C/W$

## 2 Electrical specification

( $T_{CASE} = 25\text{ }^{\circ}\text{C}$ ).

**Table 4. Static**

Symbol	Test conditions			Min.	Typ.	Max.	Unit
$V_{(BR)DSS}$	$V_{GS} = 0\text{ V}$	$I_{DS} = 100\text{ mA}$		125			V
$I_{DSS}$	$V_{GS} = 0\text{ V}$	$V_{DS} = 50\text{ V}$				50	$\mu\text{A}$
$I_{GSS}$	$V_{GS} = 20\text{ V}$	$V_{DS} = 0\text{ V}$				250	nA
$V_{GS(Q)}^{(1)}$	$V_{DS} = 10\text{ V}$	$I_D = 250\text{ mA}$		see table below			V
$V_{DS(ON)}$	$V_{GS} = 10\text{ V}$	$I_D = 10\text{ A}$				3.0	V
$G_{FS}^*$	$V_{DS} = 10\text{ V}$	$I_D = 5\text{ A}$		see table below			mho
$C_{ISS}$	$V_{GS} = 0\text{ V}$	$V_{DS} = 50\text{ V}$	$f = 1\text{ MHz}$		480		pF
$C_{OSS}$	$V_{GS} = 0\text{ V}$	$V_{DS} = 50\text{ V}$	$f = 1\text{ MHz}$		190		pF
$C_{RSS}$	$V_{GS} = 0\text{ V}$	$V_{DS} = 50\text{ V}$	$f = 1\text{ MHz}$		18		pF

1.  $V_{GS(Q)}$  and  $G_{FS}$  sorted with alpha/numeric code marked on unit.

**Table 5. Dynamic**

Symbol	Test conditions			Min.	Typ.	Max.	Unit
$P_{OUT}$	$V_{DD} = 50\text{ V}$	$I_{DQ} = 250\text{ mA}$	$f = 175\text{ MHz}$	150			W
$G_{PS}$	$V_{DD} = 50\text{ V}$	$I_{DQ} = 250\text{ mA}$	$P_{OUT} = 150\text{ W}$	14	15		dB
$h_D$	$V_{DD} = 50\text{ V}$	$I_{DQ} = 250\text{ mA}$	$P_{OUT} = 150\text{ W}$	55	65		%
Load Mismatch	$V_{DD} = 50\text{ V}$	$I_{DQ} = 250\text{ mA}$	$P_{OUT} = 150\text{ W}$	10:1			VSW R

Table 6.  $V_{GS}$  and  $G_{FS}$  sorts

Code	$V_{GS}$		$G_{FS}$		Code	$V_{GS}$		$G_{FS}$	
	Min.	Max.	Min.	Max.		Min.	Max.	Min.	Max.
A	2.4	2.65	5.0	5.5	J	2.65	3.15	6.5	7.0
B	2.4	2.65	5.5	6.0	K	2.65	3.15	7.0	7.5
C	2.4	2.65	6.0	6.5	L	2.65	3.15	7.5	8.0
D	2.4	2.65	6.5	7.0	M	3.15	3.3	5.0	5.5
E	2.4	2.45	7.0	7.5	N	3.15	3.3	5.5	6.0
F	2.4	2.65	7.5	8.0	O	3.15	3.3	6.0	6.5
G	2.65	3.15	5.0	5.5	P	3.15	3.3	6.5	7.0
H	2.65	3.15	5.5	6.0	Q	3.15	3.3	7.0	7.5
I	2.65	3.15	6.0	6.5	R	3.15	3.3	7.5	8.0

### 3 Impedance data

Figure 2. Impedance data

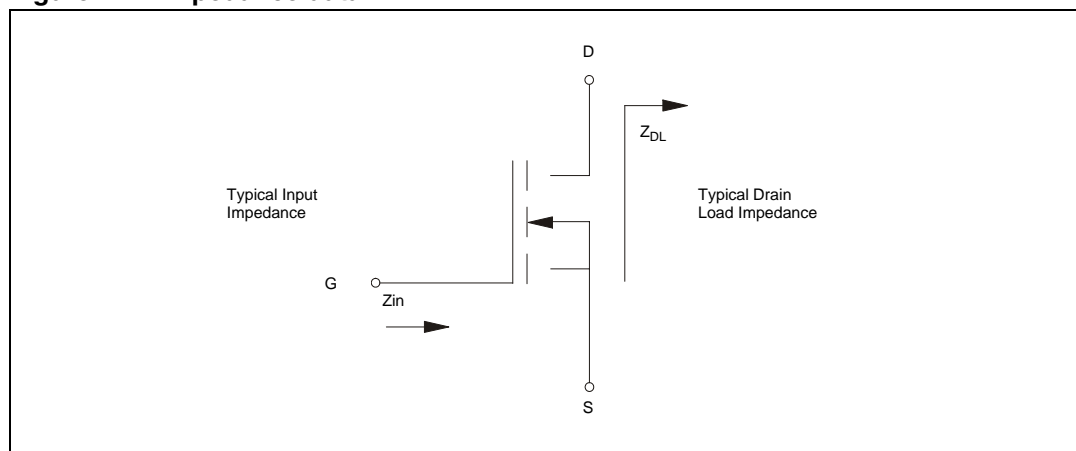
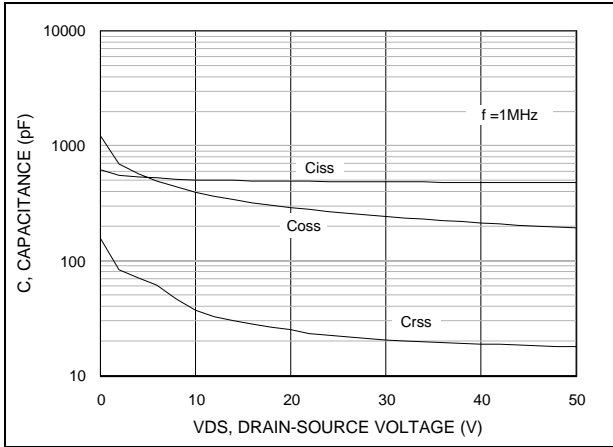


Table 7. Impedance data

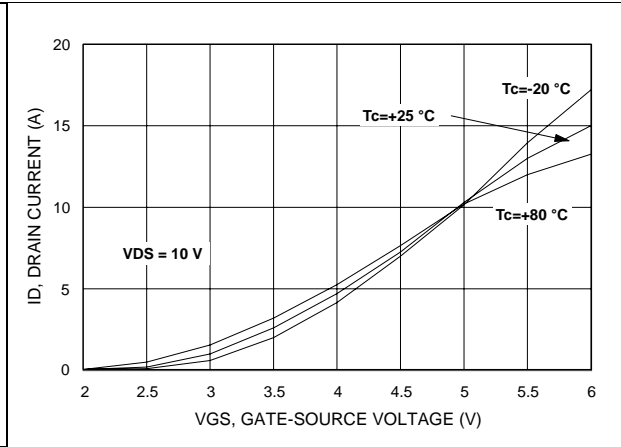
Freq	$Z_{IN} (\Omega)$	$Z_{DL} (\Omega)$
30 MHz	$1.7 - j 5.7$	$6.8 + j 0.9$
175 MHz	$1.2 - j 2.0$	$2.0 + j 2.4$

# 4 Typical performance

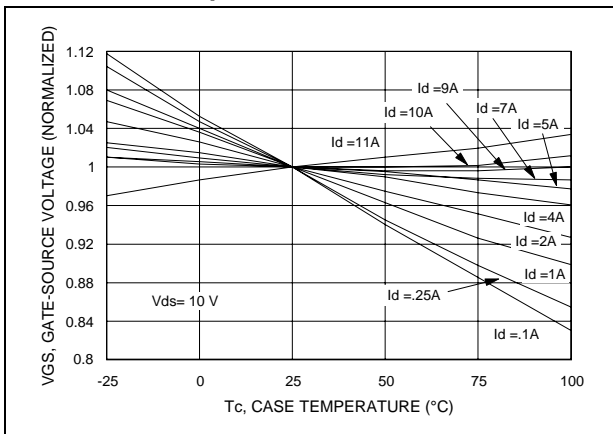
**Figure 3. Capacitance vs drain-source voltage**



**Figure 4. Drain current vs gate voltage**



**Figure 5. Gate-source voltage vs case temperature**



**Figure 6. Maximum thermal resistance vs case temperature**

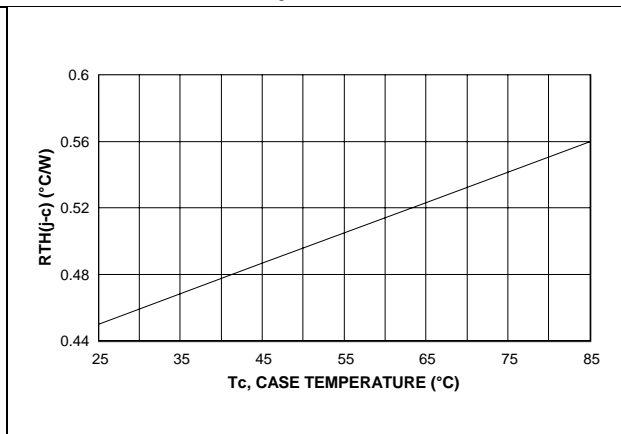
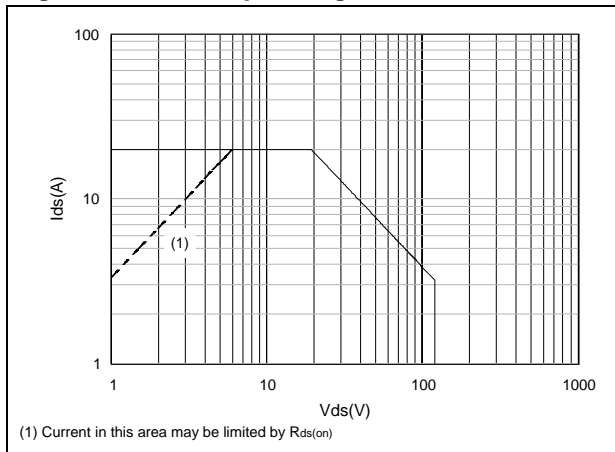


Figure 7. Safe operating area





## 5 Typical performance 175 MHz

Figure 8. Output power vs input power

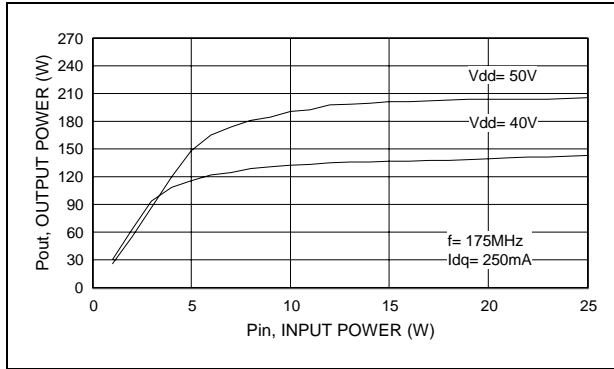


Figure 9. Output power vs input power at different temperatures

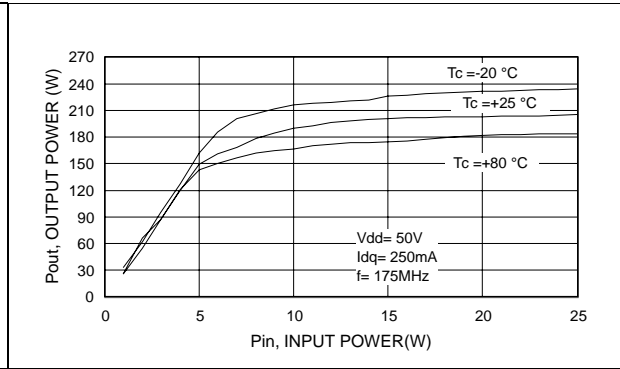


Figure 10. Power gain vs output power

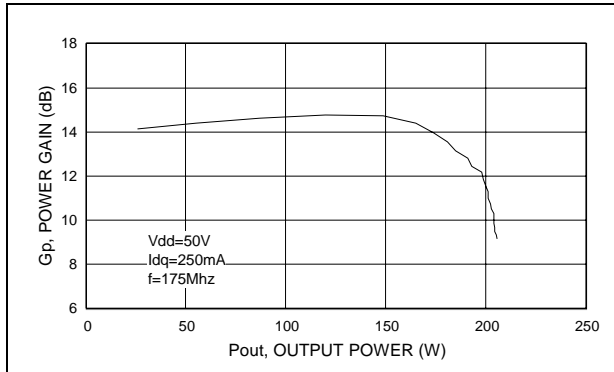


Figure 11. Efficiency vs output power

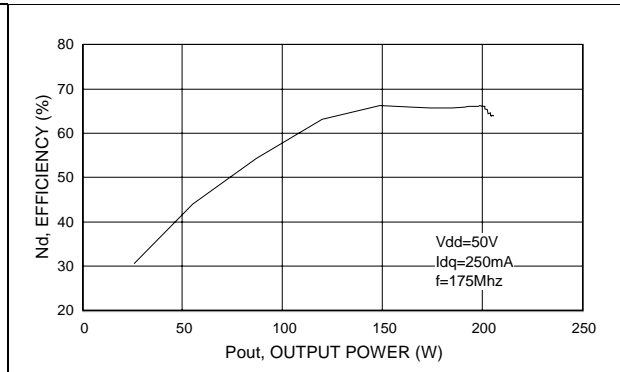


Figure 12. Output power vs supply voltage

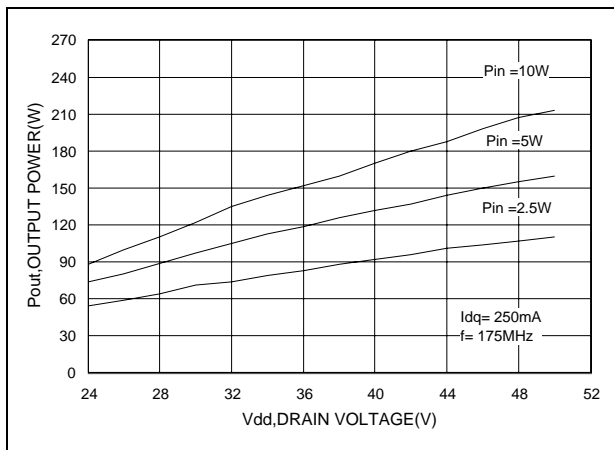
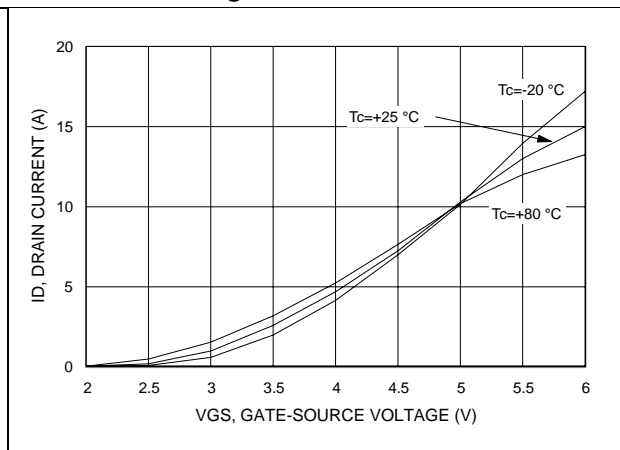


Figure 13. Drain current vs gate-source voltage



## 6 Test circuit

Figure 14. 175 MHz test circuit schematic (production test circuit)

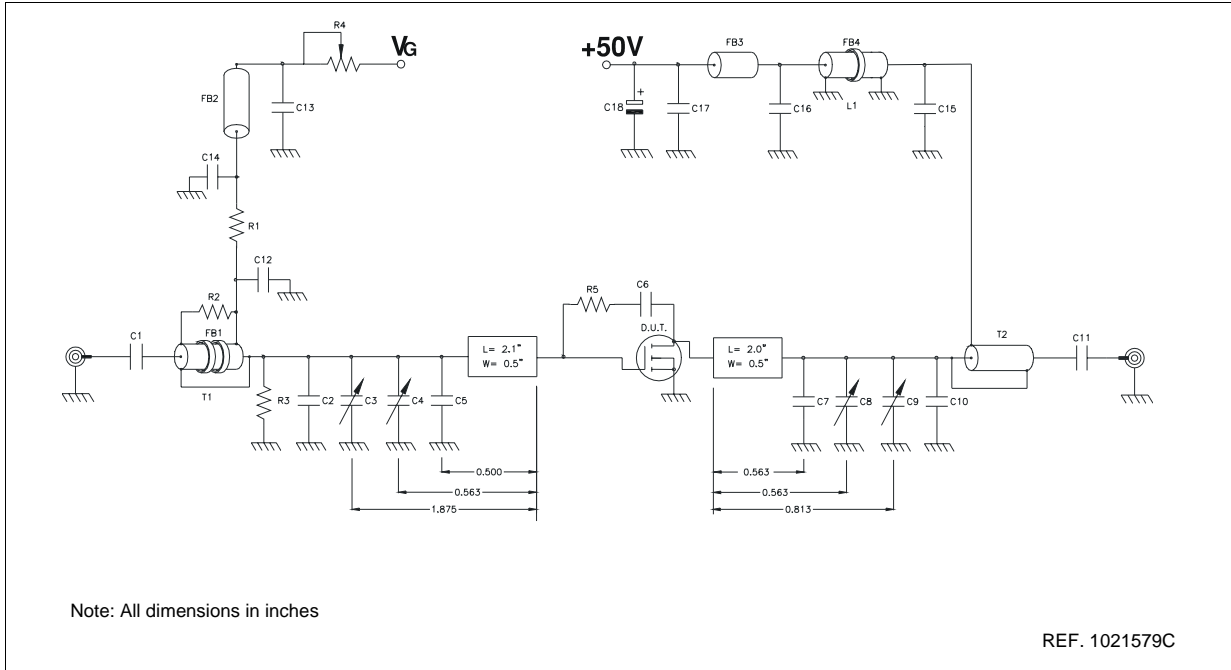


Table 8. Component part list

Component	Description
T1	4:1 transformer, 25 ohm flexible coax .090 OD 6" long
T2	1:4 transformer, 25 ohm semi-rigid coax .141 OD 6" long
FB1	Toroid X 2, 0.5" OD .312" ID 850 $\mu$ 2 turns
FB2, FB3	VK200
FB4	Shield bead, 1" OD 0.5" ID 850 $\mu$ 3 turns
L1	1/4 wave choke, 50 ohm semi-rigid coax .141 OD 12" Long
PCB	0.62" woven fiberglass, 1 oz. copper, 2 sides, $\epsilon_r = 2.55$
R1, R3	470 ohm 1 W chip resistor
R2	360 ohm 1/2 W resistor
R4	20 Kohm 10 turn potentiometer
R5	560 ohm 1 W resistor
C1, C11	470 pF ATC chip cap
C2	43 pF ATC chip cap
C3, C8, C9	Arco 404, 12-65 pF
C4	Arco 423, 16-100 pF

Table 8. Component part list (continued)

Component	Description
C5	120 pF ATC chip cap
C6	0.01 $\mu$ F ATC chip cap
C7	30 pF ATC chip cap
C10	91 pF ATC chip cap
C12, C15	1200 pF ATC chip cap
C13, C14, C16, C17	0.01 $\mu$ F / 500 V chip cap
C18	10 $\mu$ F 63 V electrolytic capacitor

Figure 15. 175 MHz test circuit photomaster

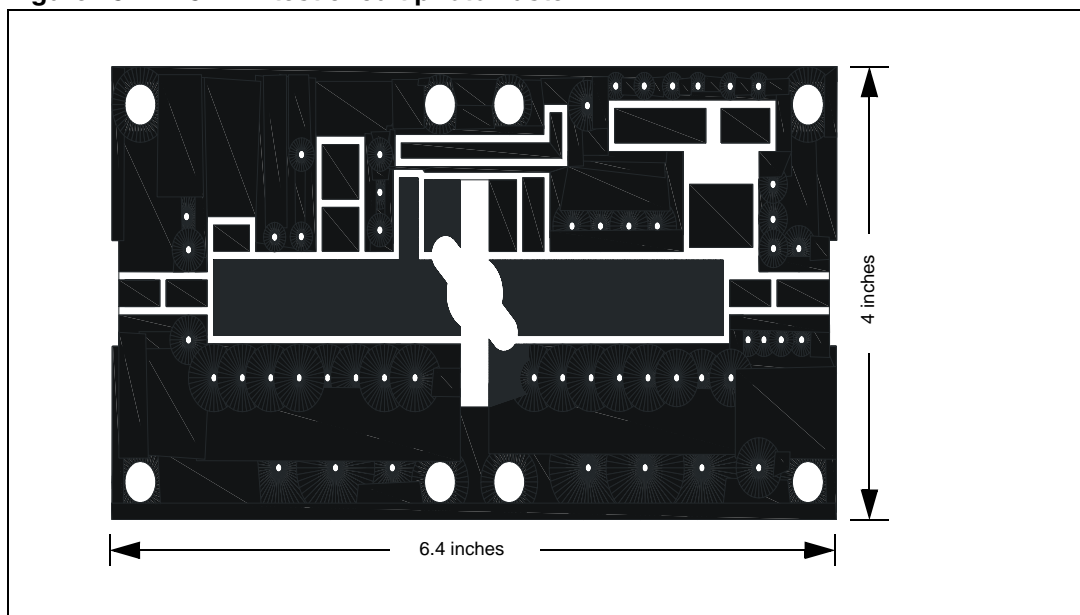
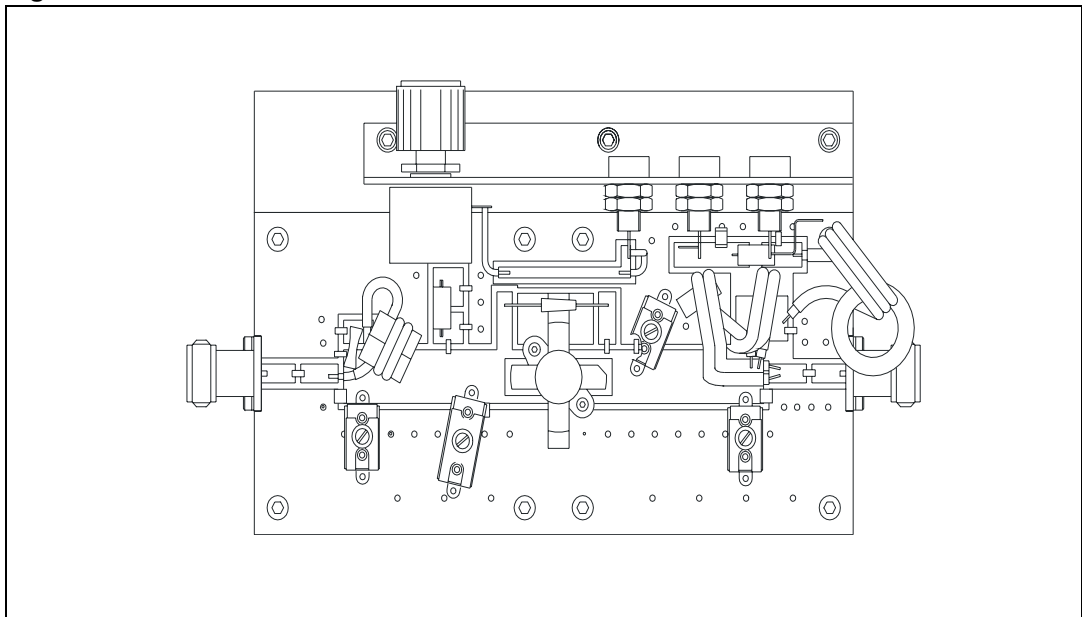


Figure 16. 175 MHz test circuit



# 7 Typical performance 30 MHz

Figure 17. Output power vs input power

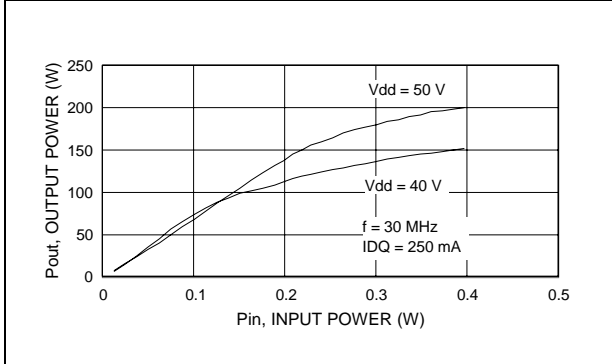


Figure 18. Power gain vs output power

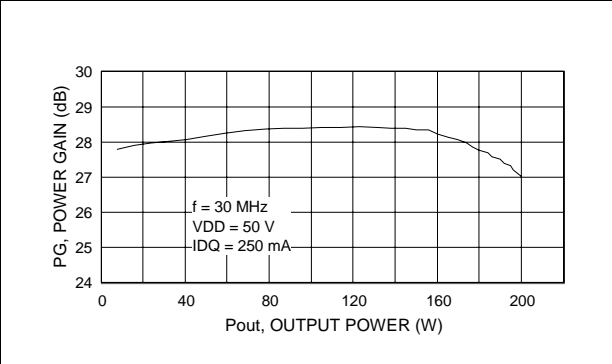


Figure 19. Efficiency vs output power

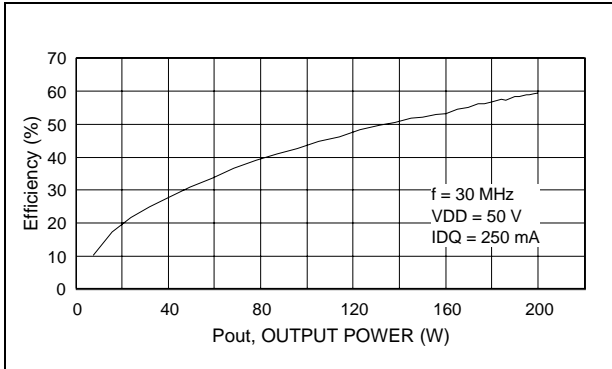


Figure 20. Output power vs supply voltage

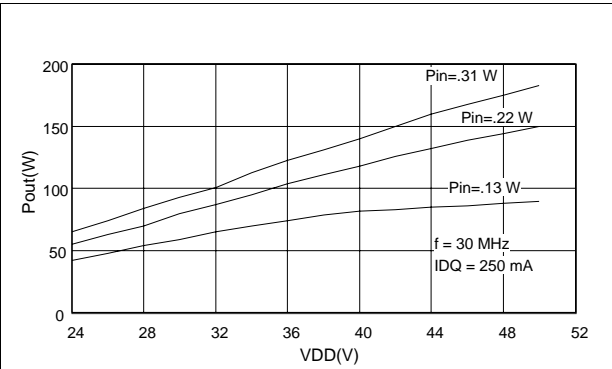
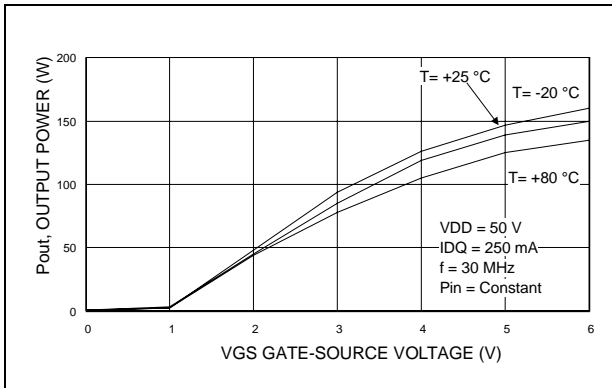


Figure 21. Output power vs gate voltage



# 8 Test circuit 30 MHz

Figure 22. 30 MHz test circuit schematic (engineering test circuit)

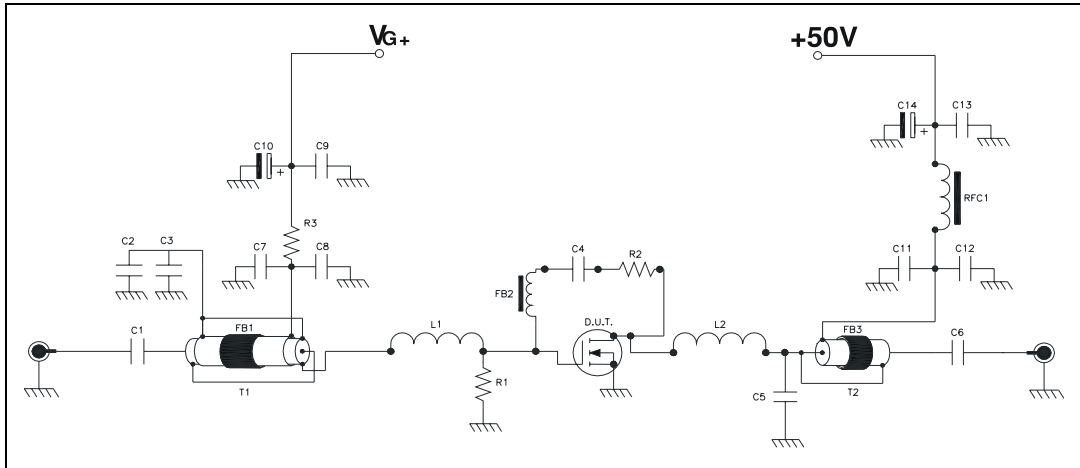


Figure 23. 30 MHz test circuit component part list

Symbol	Description
T1	9:1 transformer, 25 Ω flexible coax with extra shield .090 OD 15" long
T2	1:4 transformer, 50 Ω flexible coax .225 OD 15" long
FB1	Toroid 1.7" OD .30" ID 220 μ 4 turns
FB2	Surface mount EMI shield bead
FB3	Toroid 1.7" OD .300" ID 220μ 3 turns
RFC1	Toroid 0.5" OD 0.30" ID 125μ 4 turns 12 awg wire
PCB	0.62" Woven Fiberglass, 1 oz. Copper, 2 Sides, εr = 2.55
R1, R3	1 KΩ 1 W chip resistor
R2	680 Ω 3 W wirewound resistor
C1,C4,C6,C7,C8, C9,C11,C12,C13	0.1 μF ATC chip cap
C2,C3	750 pF ATC chip cap
C5	470 pF ATC chip cap
C10	10 μF 63 V electrolytic capacitor
C14	100 μF 63 V electrolytic capacitor

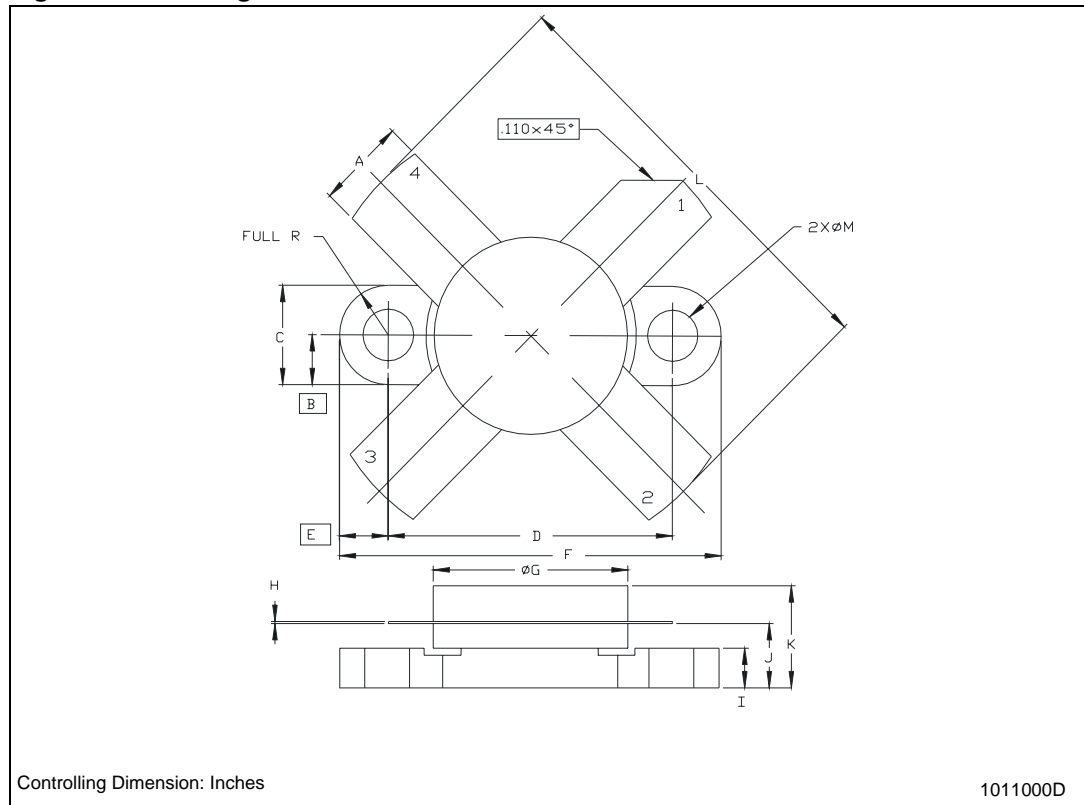
## 9 Package mechanical data

In order to meet environmental requirements, ST offers these devices in different grades of ECOPACK® packages, depending on their level of environmental compliance. ECOPACK® specifications, grade definitions and product status are available at: [www.st.com](http://www.st.com). ECOPACK® is an ST trademark.

**Table 9. M174 (0.500 DIA 4/L N/HERM W/FLG) mechanical data**

Dim.	mm.			Inch		
	Min	Typ	Max	Min	Typ	Max
A	5.56		5.584	0.219		0.230
B		3.18			0.125	
C	6.22		6.48	0.245		0.255
D	18.28		18.54	0.720		0.730
E		3.18			0.125	
F	24.64		24.89	0.970		0.980
G	12.57		12.83	0.495		0.505
H	0.08		0.18	0.003		0.007
I	2.11		3.00	0.083		0.118
J	3.81		4.45	0.150		0.175
K			7.11			0.280
L	25.53		26.67	1.005		1.050
M	3.05		3.30	0.120		0.130

**Figure 24. Package dimensions**





## 10 Revision history

Table 10. Document revision history

Date	Revision	Changes
30-Mar-2010	1	Initial release.

**Please Read Carefully:**

Information in this document is provided solely in connection with ST products. STMicroelectronics NV and its subsidiaries ("ST") reserve the right to make changes, corrections, modifications or improvements, to this document, and the products and services described herein at any time, without notice.

All ST products are sold pursuant to ST's terms and conditions of sale.

Purchasers are solely responsible for the choice, selection and use of the ST products and services described herein, and ST assumes no liability whatsoever relating to the choice, selection or use of the ST products and services described herein.

No license, express or implied, by estoppel or otherwise, to any intellectual property rights is granted under this document. If any part of this document refers to any third party products or services it shall not be deemed a license grant by ST for the use of such third party products or services, or any intellectual property contained therein or considered as a warranty covering the use in any manner whatsoever of such third party products or services or any intellectual property contained therein.

**UNLESS OTHERWISE SET FORTH IN ST'S TERMS AND CONDITIONS OF SALE ST DISCLAIMS ANY EXPRESS OR IMPLIED WARRANTY WITH RESPECT TO THE USE AND/OR SALE OF ST PRODUCTS INCLUDING WITHOUT LIMITATION IMPLIED WARRANTIES OF MERCHANTABILITY, FITNESS FOR A PARTICULAR PURPOSE (AND THEIR EQUIVALENTS UNDER THE LAWS OF ANY JURISDICTION), OR INFRINGEMENT OF ANY PATENT, COPYRIGHT OR OTHER INTELLECTUAL PROPERTY RIGHT.**

**UNLESS EXPRESSLY APPROVED IN WRITING BY AN AUTHORIZED ST REPRESENTATIVE, ST PRODUCTS ARE NOT RECOMMENDED, AUTHORIZED OR WARRANTED FOR USE IN MILITARY, AIR CRAFT, SPACE, LIFE SAVING, OR LIFE SUSTAINING APPLICATIONS, NOR IN PRODUCTS OR SYSTEMS WHERE FAILURE OR MALFUNCTION MAY RESULT IN PERSONAL INJURY, DEATH, OR SEVERE PROPERTY OR ENVIRONMENTAL DAMAGE. ST PRODUCTS WHICH ARE NOT SPECIFIED AS "AUTOMOTIVE GRADE" MAY ONLY BE USED IN AUTOMOTIVE APPLICATIONS AT USER'S OWN RISK.**

Resale of ST products with provisions different from the statements and/or technical features set forth in this document shall immediately void any warranty granted by ST for the ST product or service described herein and shall not create or extend in any manner whatsoever, any liability of ST.

ST and the ST logo are trademarks or registered trademarks of ST in various countries.

Information in this document supersedes and replaces all information previously supplied.

The ST logo is a registered trademark of STMicroelectronics. All other names are the property of their respective owners.

© 2010 STMicroelectronics - All rights reserved

STMicroelectronics group of companies

Australia - Belgium - Brazil - Canada - China - Czech Republic - Finland - France - Germany - Hong Kong - India - Israel - Italy - Japan - Malaysia - Malta - Morocco - Philippines - Singapore - Spain - Sweden - Switzerland - United Kingdom - United States of America

[www.st.com](http://www.st.com)