

# International IR Rectifier

- Advanced Process Technology
- Dynamic dv/dt Rating
- 175°C Operating Temperature
- Fast Switching
- Fully Avalanche Rated
- Ease of Paralleling
- Simple Drive Requirements
- Lead-Free

## Description

Fifth Generation HEXFET® Power MOSFETs from International Rectifier utilize advanced processing techniques to achieve extremely low on-resistance per silicon area. This benefit, combined with the fast switching speed and ruggedized device design that HEXFET Power MOSFETs are well known for, provides the designer with an extremely efficient and reliable device for use in a wide variety of applications.

The TO-220 package is universally preferred for all commercial-industrial applications at power dissipation levels to approximately 50 watts. The low thermal resistance and low package cost of the TO-220 contribute to its wide acceptance throughout the industry.

The D<sup>2</sup>Pak is a surface mount power package capable of accommodating die sizes up to HEX-4. It provides the highest power capability and the lowest possible on-resistance in any existing surface mount package. The D<sup>2</sup>Pak is suitable for high current applications because of its low internal connection resistance and can dissipate up to 2.0W in a typical surface mount application.

The through-hole version (IRF634NL) is available for low-profile application.

## Absolute Maximum Ratings

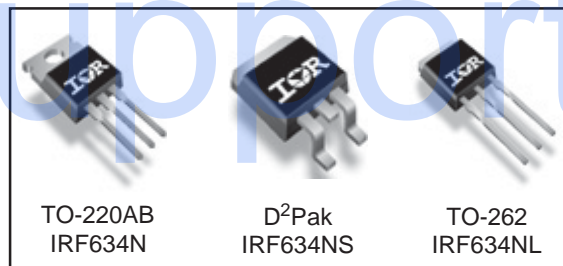
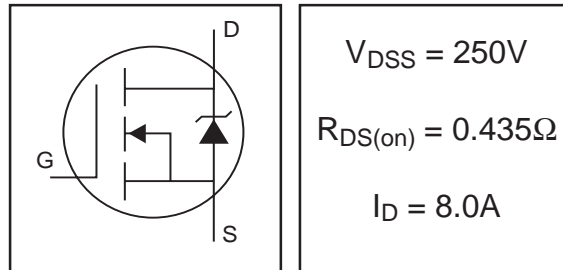
|                                   | Parameter                                | Max.                   | Units |
|-----------------------------------|--|------------------------|-------|
| $I_D$ @ $T_C = 25^\circ\text{C}$  | Continuous Drain Current, $V_{GS}$ @ 10V | 8.0                    | A     |
| $I_D$ @ $T_C = 100^\circ\text{C}$ | Continuous Drain Current, $V_{GS}$ @ 10V | 5.6                    |       |
| $I_{DM}$                          | Pulsed Drain Current ①                   | 32                     |       |
| $P_D$ @ $T_C = 25^\circ\text{C}$  | Power Dissipation                        | 88                     | W     |
| $P_D$ @ $T_A = 25^\circ\text{C}$  | Power Dissipation ⑤                      | 3.8                    |       |
|                                   | Linear Derating Factor                   | 0.59                   | W/°C  |
| $V_{GS}$                          | Gate-to-Source Voltage                   | ± 20                   | V     |
| $E_{AS}$                          | Single Pulse Avalanche Energy ②          | 110                    | mJ    |
| $I_{AR}$                          | Avalanche Current ①                      | 4.8                    | A     |
| $E_{AR}$                          | Repetitive Avalanche Energy ①            | 8.8                    | mJ    |
| dv/dt                             | Peak Diode Recovery dv/dt                | 7.3                    | V/ns  |
| $T_J$                             | Operating Junction and                   | -55 to +175            | °C    |
| $T_{STG}$                         | Storage Temperature Range                |                        |       |
|                                   | Soldering Temperature, for 10 seconds    | 300 (1.6mm from case ) |       |
|                                   | Mounting torque, 6-32 or M3 screw ④      | 10 lbf•in (1.1N•m)     |       |

www.irf.com

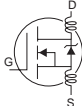
PD - 95342

IRF634NPbF  
IRF634NSPbF  
IRF634NLPbF

HEXFET® Power MOSFET



## Electrical Characteristics @ T<sub>J</sub> = 25°C (unless otherwise specified)

|                                      | Parameter                            | Min. | Typ. | Max.  | Units | Conditions   |
|--------------------------------------|--------------------------------------|------|------|-------|-------|--|
| V <sub>(BR)DSS</sub>                 | Drain-to-Source Breakdown Voltage    | 250  | —    | —     | V     | V <sub>GS</sub> = 0V, I <sub>D</sub> = 250μA   |
| ΔV <sub>(BR)DSS/ΔT<sub>J</sub></sub> | Breakdown Voltage Temp. Coefficient  | —    | 0.33 | —     | V/°C  | Reference to 25°C, I <sub>D</sub> = 1mA  |
| R <sub>DS(on)</sub>                  | Static Drain-to-Source On-Resistance | —    | —    | 0.435 | Ω     | V <sub>GS</sub> = 10V, I <sub>D</sub> = 4.8A ③                                       |
| V <sub>GS(th)</sub>                  | Gate Threshold Voltage               | 2.0  | —    | 4.0   | V     | V <sub>DS</sub> = V <sub>GS</sub> , I <sub>D</sub> = 250μA                           |
| g <sub>fs</sub>                      | Forward Transconductance             | 5.4  | —    | —     | S     | V <sub>DS</sub> = 50V, I <sub>D</sub> = 4.8A ③                                       |
| I <sub>DSS</sub>                     | Drain-to-Source Leakage Current      | —    | —    | 25    | μA    | V <sub>DS</sub> = 250V, V <sub>GS</sub> = 0V   |
|                                      |                                      | —    | —    | 250   |       | V <sub>DS</sub> = 200V, V <sub>GS</sub> = 0V, T <sub>J</sub> = 150°C                 |
| I <sub>GSS</sub>                     | Gate-to-Source Forward Leakage       | —    | —    | 100   | nA    | V <sub>GS</sub> = 20V  |
|                                      | Gate-to-Source Reverse Leakage       | —    | —    | -100  |       | V <sub>GS</sub> = -20V   |
| Q <sub>g</sub>                       | Total Gate Charge                    | —    | —    | 34    | nC    | I <sub>D</sub> = 4.8A  |
| Q <sub>gs</sub>                      | Gate-to-Source Charge                | —    | —    | 6.5   |       | V <sub>DS</sub> = 200V   |
| Q <sub>gd</sub>                      | Gate-to-Drain ("Miller") Charge      | —    | —    | 16    |       | V <sub>GS</sub> = 10V, See Fig. 6 and 13   |
| t <sub>d(on)</sub>                   | Turn-On Delay Time                   | —    | 8.4  | —     | ns    | V <sub>DD</sub> = 125V   |
| t <sub>r</sub>                       | Rise Time                            | —    | 16   | —     |       | I <sub>D</sub> = 4.8A  |
| t <sub>d(off)</sub>                  | Turn-Off Delay Time                  | —    | 28   | —     |       | R <sub>G</sub> = 1.3Ω  |
| t <sub>f</sub>                       | Fall Time                            | —    | 15   | —     |       | V <sub>GS</sub> = 10V, See Fig. 10 ③   |
| L <sub>D</sub>                       | Internal Drain Inductance            | —    | 4.5  | —     | nH    | Between lead,<br>6mm (0.25in.)<br>from package<br>and center of die contact          |
| L <sub>S</sub>                       | Internal Source Inductance           | —    | 7.5  | —     |       |  |
| C <sub>iss</sub>                     | Input Capacitance                    | —    | 620  | —     | pF    | V <sub>GS</sub> = 0V   |
| C <sub>oss</sub>                     | Output Capacitance                   | —    | 84   | —     |       | V <sub>DS</sub> = 25V  |
| C <sub>riss</sub>                    | Reverse Transfer Capacitance         | —    | 23   | —     |       | f = 1.0MHz, See Fig. 5   |

## Source-Drain Ratings and Characteristics

|                 | Parameter                                 | Min.   | Typ. | Max. | Units | Conditions  |
|-----------------|---|--|------|------|-------|---|
| I <sub>S</sub>  | Continuous Source Current<br>(Body Diode) | —  | —    | 8.0  | A     | MOSFET symbol<br>showing the<br>integral reverse<br>p-n junction diode. |
| I <sub>SM</sub> | Pulsed Source Current<br>(Body Diode)①    | —  | —    | 32   |       |   |
| V <sub>SD</sub> | Diode Forward Voltage                     | —  | —    | 1.3  | V     | T <sub>J</sub> = 25°C, I <sub>S</sub> = 4.8A, V <sub>GS</sub> = 0V ③    |
| t <sub>rr</sub> | Reverse Recovery Time                     | —  | 130  | 200  | ns    | T <sub>J</sub> = 25°C, I <sub>F</sub> = 4.8A                            |
| Q <sub>rr</sub> | Reverse Recovery Charge                   | —  | 650  | 980  | nC    | di/dt = 100A/μs ③   |
| t <sub>on</sub> | Forward Turn-On Time                      | Intrinsic turn-on time is negligible (turn-on is dominated by L <sub>S</sub> +L <sub>D</sub> ) |      |      |       |   |

## Thermal Resistance

|                  | Parameter                             | Typ. | Max. | Units |
|------------------|---------------------------------------|------|------|-------|
| R <sub>θJC</sub> | Junction-to-Case                      | —    | 1.7  | °C/W  |
| R <sub>θCS</sub> | Case-to-Sink, Flat, Greased Surface ④ | 0.50 | —    |       |
| R <sub>θJA</sub> | Junction-to-Ambient④                  | —    | 62   |       |
| R <sub>θJA</sub> | Junction-to-Ambient (PCB mount)⑤      | —    | 40   |       |

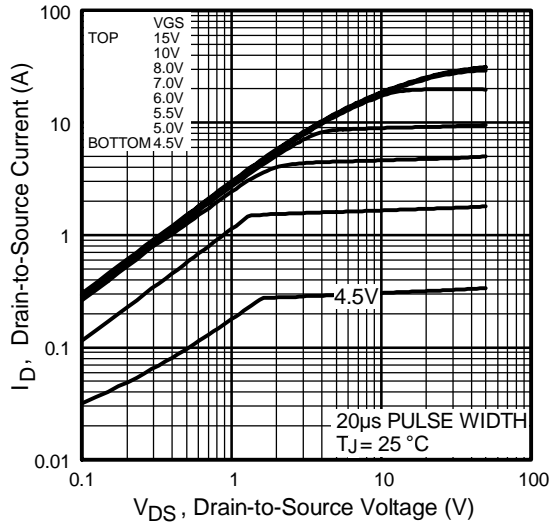


Fig 1. Typical Output Characteristics

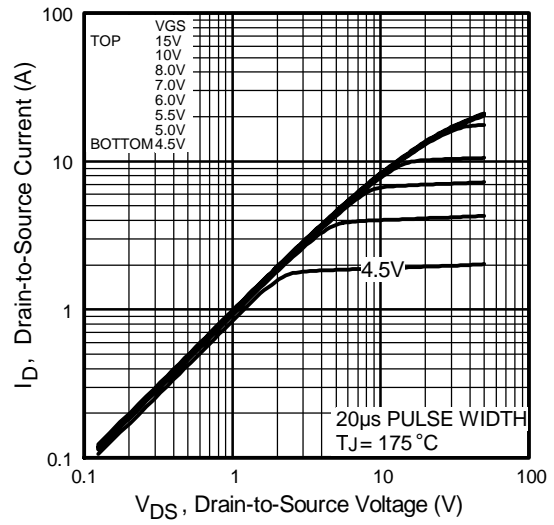


Fig 2. Typical Output Characteristics

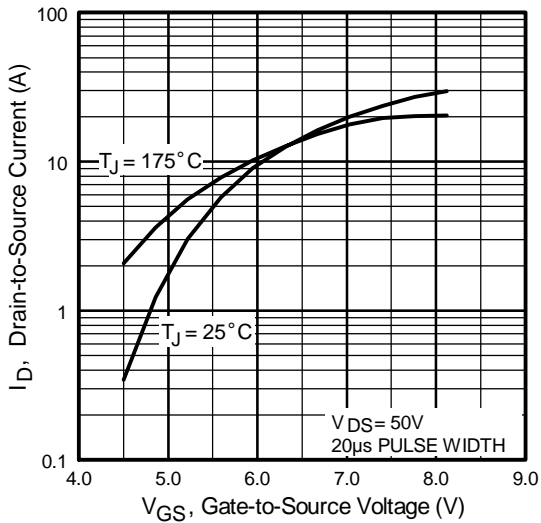


Fig 3. Typical Transfer Characteristics

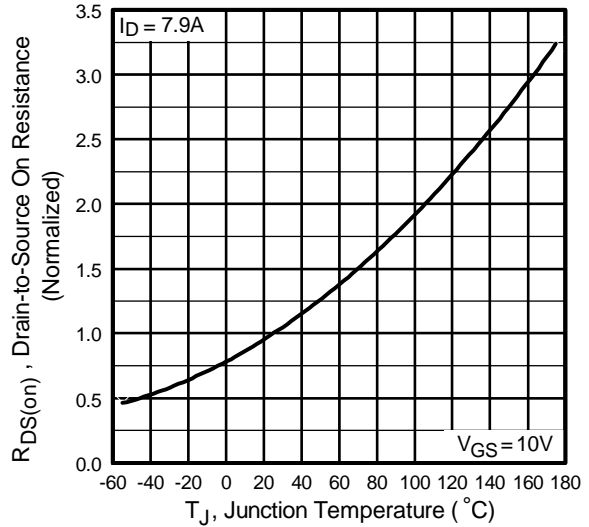
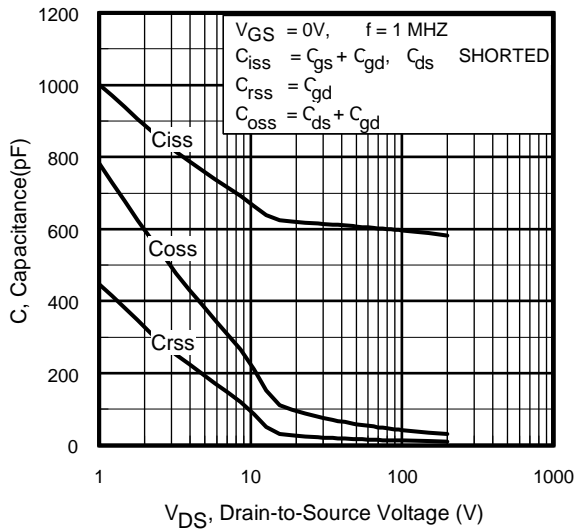
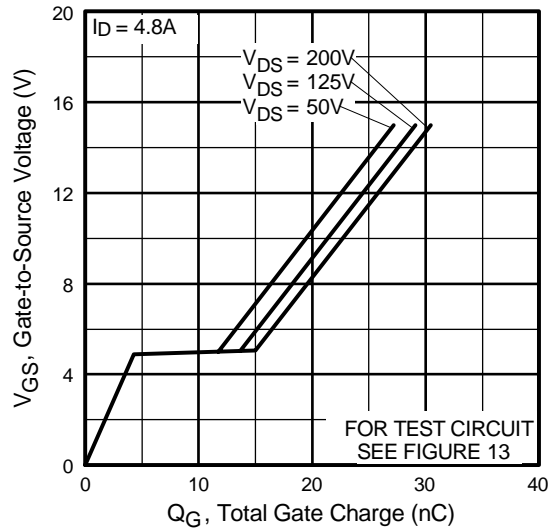


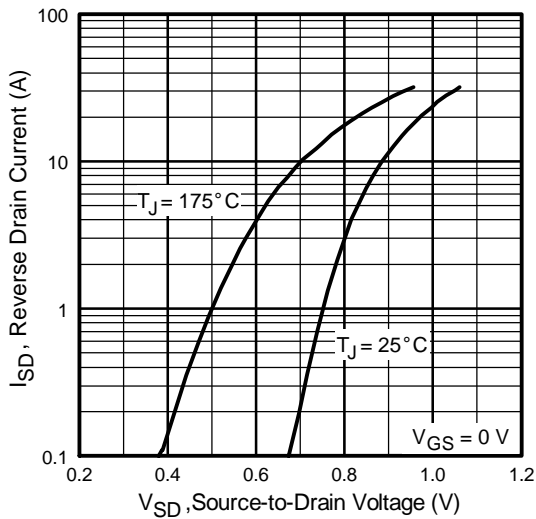
Fig 4. Normalized On-Resistance Vs. Temperature



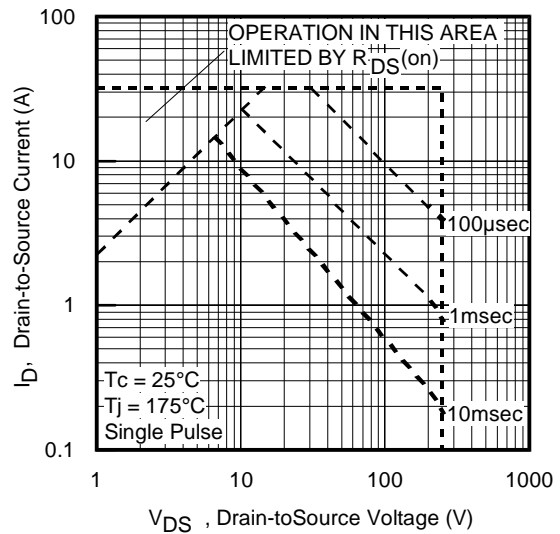
**Fig 5.** Typical Capacitance Vs. Drain-to-Source Voltage



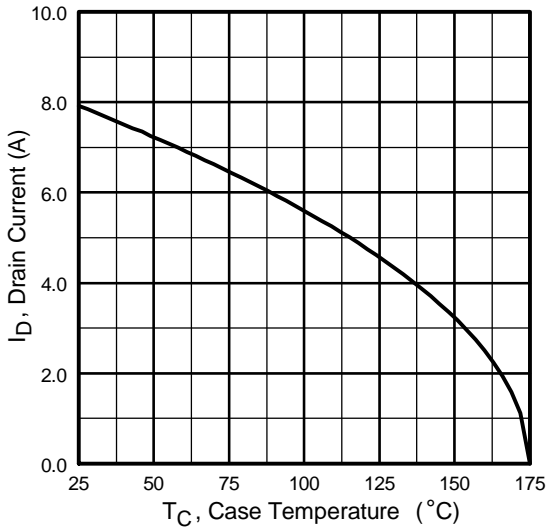
**Fig 6.** Typical Gate Charge Vs. Gate-to-Source Voltage



**Fig 7.** Typical Source-Drain Diode Forward Voltage



**Fig 8.** Maximum Safe Operating Area



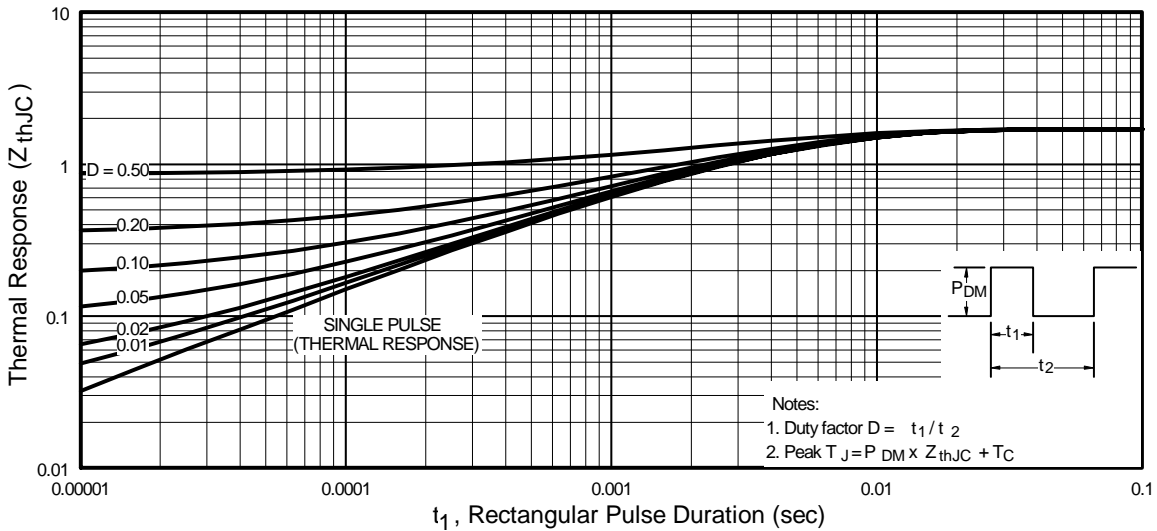
**Fig 9.** Maximum Drain Current Vs. Case Temperature



**Fig 10a.** Switching Time Test Circuit



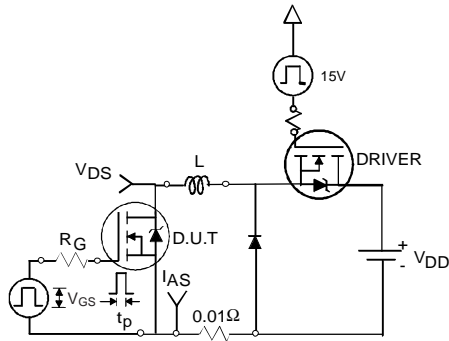
**Fig 10b.** Switching Time Waveforms



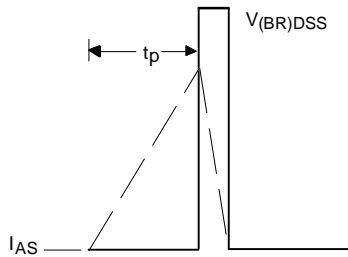
**Fig 11.** Maximum Effective Transient Thermal Impedance, Junction-to-Case

# IRF634N/S/LPbF

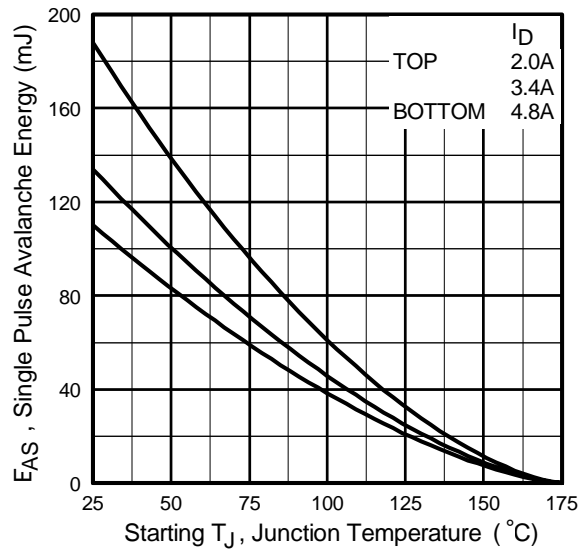
International  
**IR** Rectifier



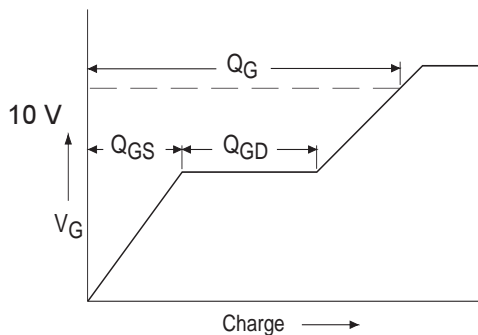
**Fig 12a.** Unclamped Inductive Test Circuit



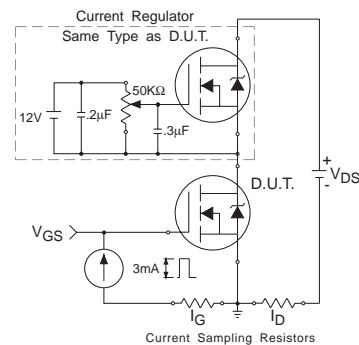
**Fig 12b.** Unclamped Inductive Waveforms



**Fig 12c.** Maximum Avalanche Energy Vs. Drain Current



**Fig 13a.** Basic Gate Charge Waveform



**Fig 13b.** Gate Charge Test Circuit

**Peak Diode Recovery dv/dt Test Circuit**



\*  $V_{GS} = 5V$  for Logic Level Devices

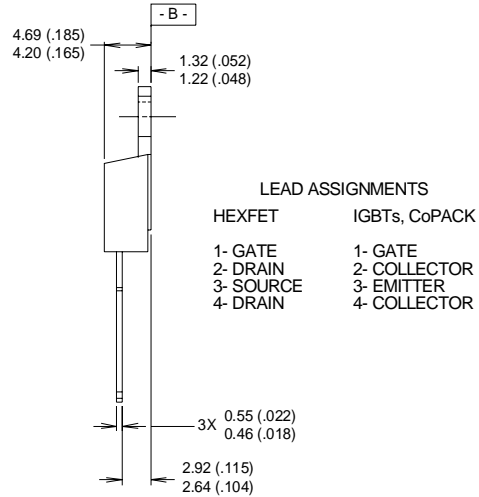
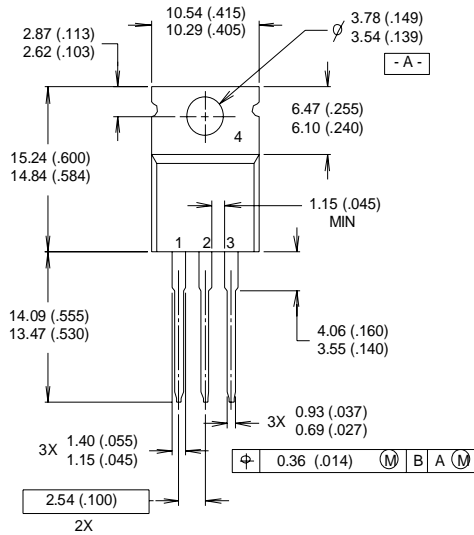
**Fig 14.** For N-Channel HEXFET® Power MOSFETs

# IRF634N/S/LPbF



## TO-220AB Package Outline

Dimensions are shown in millimeters (inches)



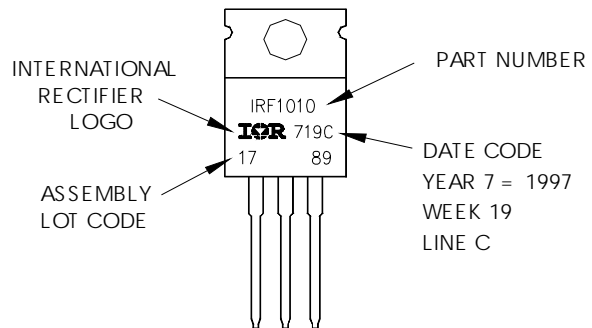
**NOTES:**

- 1 DIMENSIONING & TOLERANCING PER ANSI Y14.5M, 1982.
- 2 CONTROLLING DIMENSION : INCH

- 3 OUTLINE CONFORMS TO JEDEC OUTLINE TO-220AB.
- 4 HEATSINK & LEAD MEASUREMENTS DO NOT INCLUDE BURRS.

## TO-220AB Part Marking Information

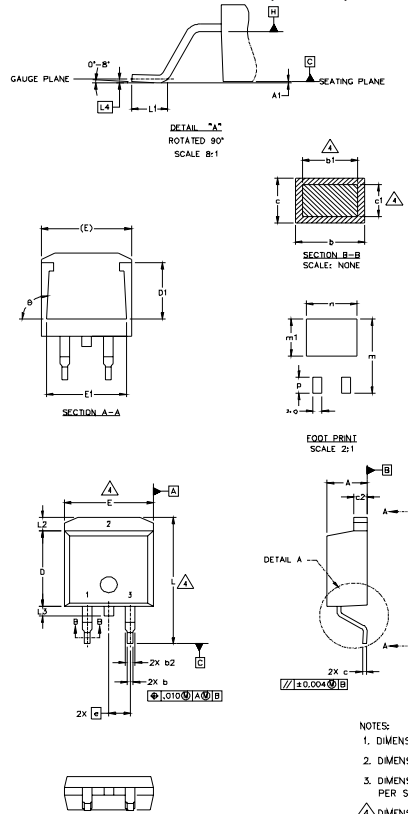
EXAMPLE: THIS IS AN IRF1010  
 LOT CODE 1789  
 ASSEMBLED ON WW 19, 1997  
 IN THE ASSEMBLY LINE "C"  
**Note:** "P" in assembly line position indicates "Lead-Free"





## D<sup>2</sup>Pak Package Outline

Dimensions are shown in millimeters (inches)



| SYMBOL | DIMENSIONS  |       |          |      | NOTES |
|--------|-------------|-------|----------|------|-------|
|        | MILLIMETERS |       | INCHES   |      |       |
|        | MIN.        | MAX.  | MIN.     | MAX. |       |
| A      | 4.06        | 4.83  | .160     | .190 | 4     |
| A1     |             | 0.127 |          | .005 |       |
| b      | 0.51        | 0.99  | .020     | .039 | 4     |
| b1     | 0.51        | 0.89  | .020     | .035 |       |
| b2     | 1.14        | 1.40  | .045     | .055 | 3     |
| c      | 0.43        | 0.63  | .017     | .025 |       |
| c1     | 0.38        | 0.74  | .015     | .029 | 3     |
| c2     | 1.14        | 1.40  | .045     | .055 |       |
| D      | 8.51        | 9.65  | .335     | .380 | 3     |
| D1     | 5.33        |       | .210     |      |       |
| E      | 9.65        | 10.67 | .380     | .420 | 3     |
| E1     | 6.22        |       | .245     |      |       |
| e      | 2.54 BSC    |       | .100 BSC |      | 3     |
| L      | 14.61       | 15.88 | .575     | .625 |       |
| L1     | 1.78        | 2.79  | .070     | .110 | 3     |
| L2     |             | 1.65  |          | .065 |       |
| L3     | 1.27        | 1.78  | .050     | .070 | 3     |
| L4     | 0.25 BSC    |       | .010 BSC |      |       |
| m      | 17.78       |       | .700     |      | 3     |
| m1     | 8.89        |       | .350     |      |       |
| n      | 11.43       |       | .450     |      | 3     |
| o      | 2.08        |       | .082     |      |       |
| p      | 3.81        |       | .150     |      | 3     |
| θ      | 90°         | 93°   | 90°      | 93°  |       |

### LEAD ASSIGNMENTS

| HEXFET     | IGBTs, CoPACK | DIODES      |
|------------|---------------|-------------|
| 1.- GATE   | 1.- GATE      | 1.- ANODE * |
| 2.- DRAIN  | 2.- COLLECTOR | 2.- CATHODE |
| 3.- SOURCE | 3.- EMITTER   | 3.- ANODE   |

\* PART DEPENDENT.

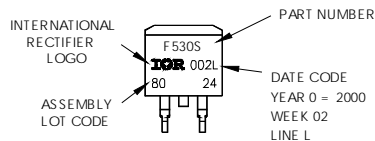
### NOTES:

- DIMENSIONING AND TOLERANCING PER ASME Y14.5M-1994
- DIMENSIONS ARE SHOWN IN MILLIMETERS [INCHES].
- DIMENSION D & E DO NOT INCLUDE MOLD FLASH. MOLD FLASH SHALL NOT EXCEED 0.127 [0.005"] PER SIDE. THESE DIMENSIONS ARE MEASURED AT THE OUTMOST EXTREMES OF THE PLASTIC BODY.
- △ DIMENSION b1 AND c1 APPLY TO BASE METAL ONLY.
- CONTROLLING DIMENSION: INCH.

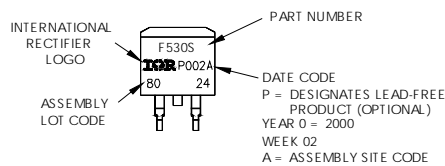
## D<sup>2</sup>Pak Part Marking Information

EXAMPLE: THIS IS AN IRF530S WITH LOT CODE 8024 ASSEMBLED ON VW 02, 2000 IN THE ASSEMBLY LINE "L"

Note: "P" in assembly line position indicates "Lead-Free"



OR

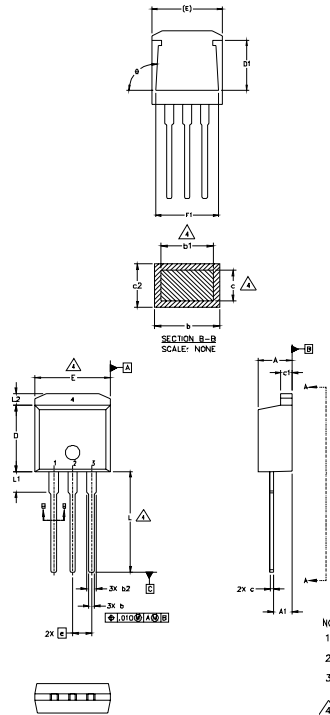


# IRF634N/S/LPbF



## TO-262 Package Outline

Dimensions are shown in millimeters (inches)



| SYMBOL | DIMENSIONS  |       |          |      | NOTES |
|--------|-------------|-------|----------|------|-------|
|        | MILLIMETERS |       | INCHES   |      |       |
|        | MIN.        | MAX.  | MIN.     | MAX. |       |
| A      | 4.06        | 4.83  | .160     | .190 | 4     |
| A1     | 2.03        | 2.92  | .080     | .115 |       |
| b      | 0.51        | 0.99  | .020     | .039 |       |
| b1     | 0.51        | 0.89  | .020     | .035 |       |
| b2     | 1.14        | 1.40  | .045     | .055 | 4     |
| c      | 0.38        | 0.63  | .015     | .025 |       |
| c1     | 1.14        | 1.40  | .045     | .055 |       |
| c2     | 0.43        | .063  | .017     | .029 | 3     |
| D      | 8.51        | 9.65  | .335     | .380 |       |
| D1     | 5.33        |       | .210     |      | 3     |
| E      | 9.65        | 10.67 | .380     | .420 |       |
| E1     | 6.22        |       | .245     |      |       |
| e      | 2.54 BSC    |       | .100 BSC |      |       |
| L      | 13.46       | 14.09 | .530     | .555 |       |
| L1     | 3.56        | 3.71  | .140     | .146 |       |
| L2     |             | 1.65  |          | .065 |       |

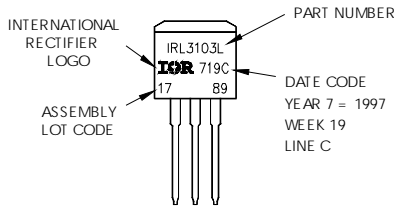
### LEAD ASSIGNMENTS

| HEXFET     | IGBT          |
|------------|---------------|
| 1.- GATE   | 1 - GATE      |
| 2.- DRAIN  | 2 - COLLECTOR |
| 3.- SOURCE | 3 - EMITTER   |
| 4.- DRAIN  |               |

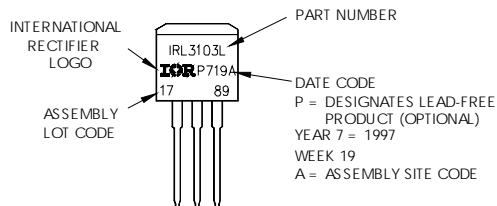
- NOTES:
1. DIMENSIONING AND TOLERANCING PER ASME Y14.5M-1994
  2. DIMENSIONS ARE SHOWN IN MILLIMETERS [INCHES]
  3. DIMENSION D & E DO NOT INCLUDE MOLD FLASH. MOLD FLASH SHALL NOT EXCEED 0.127 [.005"] PER SIDE. THESE DIMENSIONS ARE MEASURED AT THE OUTMOST EXTREMES OF THE PLASTIC BODY.
  4. DIMENSION b1 AND c1 APPLY TO BASE METAL ONLY.
  5. CONTROLLING DIMENSION: INCH.

## TO-262 Part Marking Information

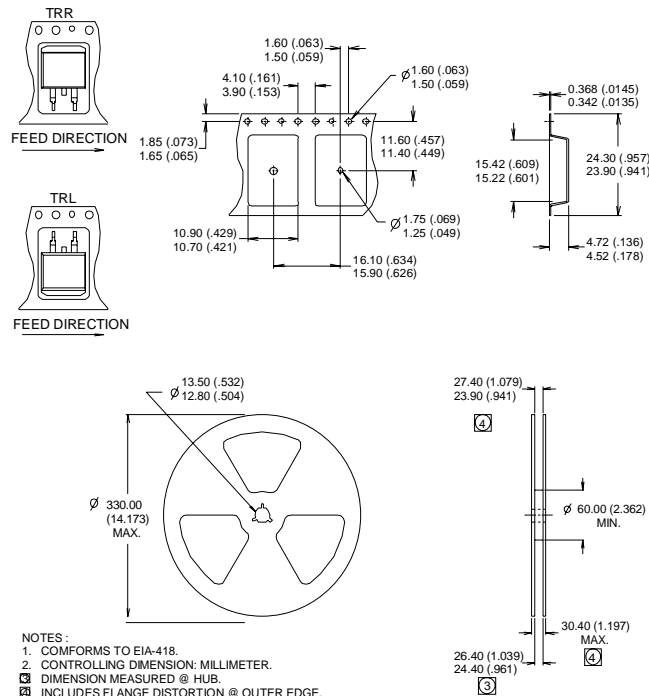
EXAMPLE: THIS IS AN IRL3103L  
 LOT CODE 1789  
 ASSEMBLED ON WW 19, 1997  
 IN THE ASSEMBLY LINE "C"  
 Note: "P" in assembly line  
 position indicates "Lead-Free"



**OR**



D<sup>2</sup>Pak Tape & Reel Infor-



Notes:

- ① Repetitive rating; pulse width limited by max. junction temperature.
- ② Starting  $T_J = 25^\circ\text{C}$ ,  $L = 9.5\text{mH}$   
 $R_G = 25\Omega$ ,  $I_{AS} = 4.8\text{A}$ ,  $V_{GS} = 10\text{V}$
- ③ Pulse width  $\leq 400\mu\text{s}$ ; duty cycle  $\leq 2\%$ .
- ④ This is only applied to TO-220A package
- ⑤ This is applied to D<sup>2</sup>Pak, when mounted on 1" square PCB ( FR-4 or G-10 Material ).  
 For recommended footprint and soldering techniques refer to application note #AN-994.

Data and specifications subject to change without notice.  
 This product has been designed and qualified for the Automotive [Q101] (IRF634N),  
 Industrial (IRF634NS and IRF634NL) market.  
 Qualification Standards can be found on IR's Web site.