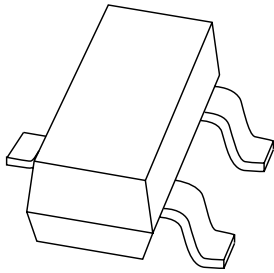


DATA SHEET



BSR15; BSR16 PNP switching transistors

Product data sheet
Supersedes data of 1999 Apr 15

2004 Jan 13

PNP switching transistors

BSR15; BSR16

FEATURES

- High current (max. 600 mA)
- Low voltage (max. 60 V).

APPLICATIONS

- Medium power switching.

DESCRIPTION

PNP switching transistor in a SOT23 plastic package.
 NPN complements: BSR13 and BSR14.

MARKING

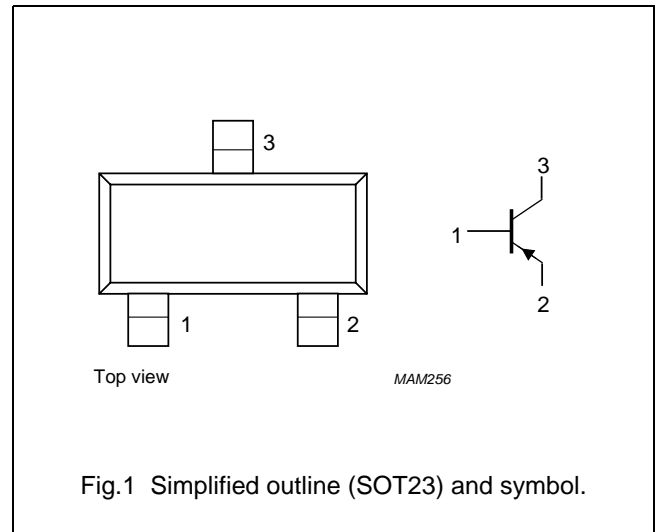
TYPE NUMBER	MARKING CODE ⁽¹⁾
BSR15	T7*
BSR16	T8*

Note

- * = p : Made in Hong Kong.
 * = t : Made in Malaysia.
 * = W : Made in China.

PINNING

PIN	DESCRIPTION
1	base
2	emitter
3	collector



ORDERING INFORMATION

TYPE NUMBER	PACKAGE		
	NAME	DESCRIPTION	VERSION
BSR15	-	plastic surface mounted package; 3 leads	SOT23
BSR16			

PNP switching transistors

BSR15; BSR16

LIMITING VALUES

In accordance with the Absolute Maximum Rating System (IEC 60134).

SYMBOL	PARAMETER	CONDITIONS	MIN.	MAX.	UNIT
V _{CBO}	collector-base voltage	open emitter	–	–60	V
V _{CEO}	collector-emitter voltage BSR15 BSR16	open base	–	–40	V
			–	–60	V
V _{EBO}	emitter-base voltage	open collector	–	–5	V
I _C	collector current (DC)		–	–600	mA
I _{CM}	peak collector current		–	–800	mA
I _{BM}	peak base current		–	–200	mA
P _{tot}	total power dissipation	T _{amb} ≤ 25 °C	–	250	mW
T _{stg}	storage temperature		–65	+150	°C
T _j	junction temperature		–	150	°C
T _{amb}	operating ambient temperature		–65	+150	°C

THERMAL CHARACTERISTICS

SYMBOL	PARAMETER	CONDITIONS	VALUE	UNIT
R _{th(j-a)}	thermal resistance from junction to ambient	note 1	500	K/W

Note

1. Transistor mounted on an FR4 printed-circuit board.

PNP switching transistors

BSR15; BSR16

CHARACTERISTICS

$T_j = 25\text{ °C}$ unless otherwise specified.

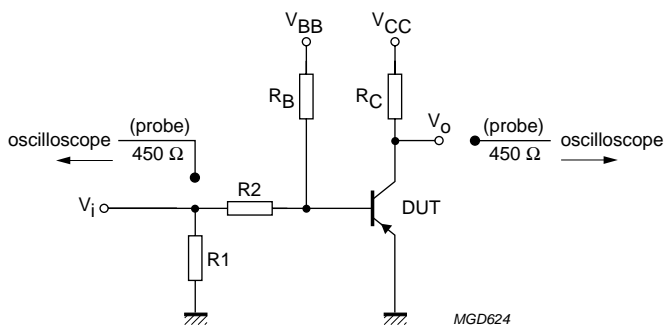
SYMBOL	PARAMETER	CONDITIONS	MIN.	MAX.	UNIT
I_{CBO}	collector cut-off current BSR15	$I_E = 0; V_{CB} = -50\text{ V}$ $I_E = 0; V_{CB} = -50\text{ V}; T_j = 150\text{ °C}$	–	–20	nA
	collector cut-off current BSR16	$I_E = 0; V_{CB} = -50\text{ V}$ $I_E = 0; V_{CB} = -50\text{ V}; T_j = 150\text{ °C}$	–	–10	nA
I_{EBO}	emitter cut-off current	$I_C = 0; V_{EB} = -5\text{ V}$	–	–50	nA
h_{FE}	DC current gain BSR15	$I_C = -0.1\text{ mA}; V_{CE} = -10\text{ V}$	35	–	
	DC current gain BSR16	$I_C = -0.1\text{ mA}; V_{CE} = -10\text{ V}$	75	–	
	DC current gain BSR15	$I_C = -1\text{ mA}; V_{CE} = -10\text{ V}$	50	–	
	DC current gain BSR16	$I_C = -1\text{ mA}; V_{CE} = -10\text{ V}$	100	–	
	DC current gain BSR15	$I_C = -10\text{ mA}; V_{CE} = -10\text{ V}$	75	–	
	DC current gain BSR16	$I_C = -10\text{ mA}; V_{CE} = -10\text{ V}$	100	–	
V_{CEsat}	collector-emitter saturation voltage	$I_C = -150\text{ mA}; I_B = -15\text{ mA}$	–	–400	mV
		$I_C = -500\text{ mA}; I_B = -50\text{ mA}$	–	–1.6	V
V_{BEsat}	base-emitter saturation voltage	$I_C = -150\text{ mA}; I_B = -15\text{ mA}$	–	–1.3	V
		$I_C = -500\text{ mA}; I_B = -50\text{ mA}$	–	–2.6	V
C_c	collector capacitance	$I_E = I_E = 0; V_{CB} = -10\text{ V}; f = 1\text{ MHz}$	–	8	pF
C_e	emitter capacitance	$I_C = I_C = 0; V_{EB} = -2\text{ V}; f = 1\text{ MHz}$	–	30	pF
f_T	transition frequency	$I_C = -50\text{ mA}; V_{CE} = -20\text{ V}; f = 100\text{ MHz}$	200	–	MHz
Switching times (between 10% and 90% levels); (see Fig.2)					
t_{on}	turn-on time	$I_{Con} = -150\text{ mA}; I_{Bon} = -15\text{ mA};$ $I_{Boff} = 15\text{ mA}$	–	40	ns
t_d	delay time		–	12	ns
t_r	rise time		–	30	ns
t_{off}	turn-off time		–	365	ns
t_s	storage time		–	300	ns
t_f	fall time		–	65	ns

Note

1. Pulse test: $t_p \leq 300\text{ }\mu\text{s}$; $\delta \leq 0.02$.

PNP switching transistors

BSR15; BSR16



$V_i = -9.5 \text{ V}$; $T = 500 \mu\text{s}$; $t_p = 10 \mu\text{s}$; $t_r = t_f \leq 3 \text{ ns}$.
 $R_1 = 68 \Omega$; $R_2 = 325 \Omega$; $R_B = 325 \Omega$; $R_C = 160 \Omega$.
 $V_{BB} = 3.5 \text{ V}$; $V_{CC} = -29.5 \text{ V}$.
 Oscilloscope: input impedance $Z_i = 50 \Omega$.

Fig.2 Test circuit for switching times.

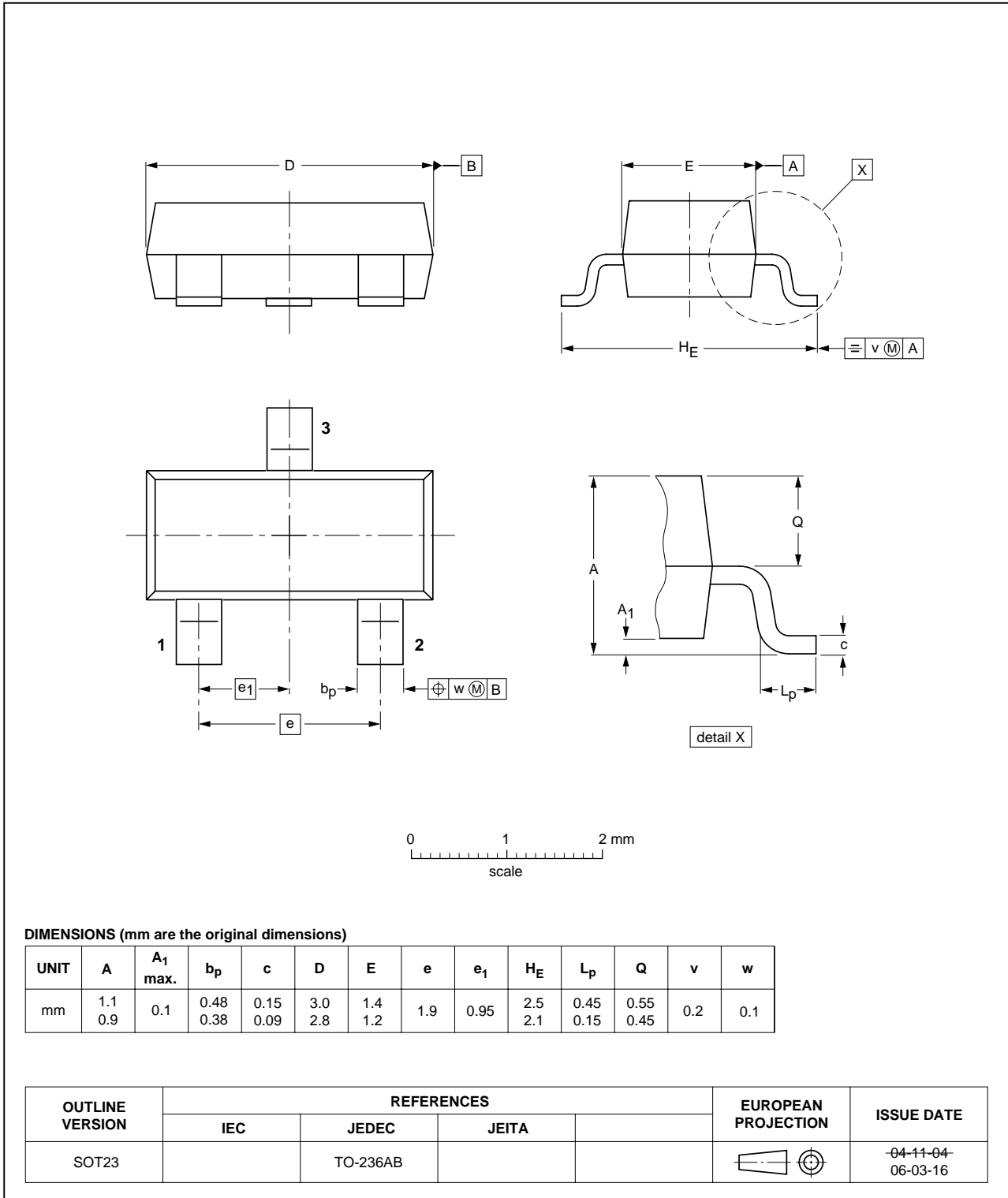
PNP switching transistors

BSR15; BSR16

PACKAGE OUTLINE

Plastic surface-mounted package; 3 leads

SOT23



PNP switching transistors

BSR15; BSR16

DATA SHEET STATUS

DOCUMENT STATUS ⁽¹⁾	PRODUCT STATUS ⁽²⁾	DEFINITION
Objective data sheet	Development	This document contains data from the objective specification for product development.
Preliminary data sheet	Qualification	This document contains data from the preliminary specification.
Product data sheet	Production	This document contains the product specification.

Notes

1. Please consult the most recently issued document before initiating or completing a design.
2. The product status of device(s) described in this document may have changed since this document was published and may differ in case of multiple devices. The latest product status information is available on the Internet at URL <http://www.nxp.com>.

DISCLAIMERS

General — Information in this document is believed to be accurate and reliable. However, NXP Semiconductors does not give any representations or warranties, expressed or implied, as to the accuracy or completeness of such information and shall have no liability for the consequences of use of such information.

Right to make changes — NXP Semiconductors reserves the right to make changes to information published in this document, including without limitation specifications and product descriptions, at any time and without notice. This document supersedes and replaces all information supplied prior to the publication hereof.

Suitability for use — NXP Semiconductors products are not designed, authorized or warranted to be suitable for use in medical, military, aircraft, space or life support equipment, nor in applications where failure or malfunction of an NXP Semiconductors product can reasonably be expected to result in personal injury, death or severe property or environmental damage. NXP Semiconductors accepts no liability for inclusion and/or use of NXP Semiconductors products in such equipment or applications and therefore such inclusion and/or use is at the customer's own risk.

Applications — Applications that are described herein for any of these products are for illustrative purposes only. NXP Semiconductors makes no representation or warranty that such applications will be suitable for the specified use without further testing or modification.

Limiting values — Stress above one or more limiting values (as defined in the Absolute Maximum Ratings System of IEC 60134) may cause permanent damage to the device. Limiting values are stress ratings only and operation of the device at these or any other conditions

above those given in the Characteristics sections of this document is not implied. Exposure to limiting values for extended periods may affect device reliability.

Terms and conditions of sale — NXP Semiconductors products are sold subject to the general terms and conditions of commercial sale, as published at <http://www.nxp.com/profile/terms>, including those pertaining to warranty, intellectual property rights infringement and limitation of liability, unless explicitly otherwise agreed to in writing by NXP Semiconductors. In case of any inconsistency or conflict between information in this document and such terms and conditions, the latter will prevail.

No offer to sell or license — Nothing in this document may be interpreted or construed as an offer to sell products that is open for acceptance or the grant, conveyance or implication of any license under any copyrights, patents or other industrial or intellectual property rights.

Export control — This document as well as the item(s) described herein may be subject to export control regulations. Export might require a prior authorization from national authorities.

Quick reference data — The Quick reference data is an extract of the product data given in the Limiting values and Characteristics sections of this document, and as such is not complete, exhaustive or legally binding.

NXP Semiconductors

Customer notification

This data sheet was changed to reflect the new company name NXP Semiconductors, including new legal definitions and disclaimers. No changes were made to the technical content, except for package outline drawings which were updated to the latest version.

Contact information

For additional information please visit: <http://www.nxp.com>

For sales offices addresses send e-mail to: salesaddresses@nxp.com

© NXP B.V. 2009

All rights are reserved. Reproduction in whole or in part is prohibited without the prior written consent of the copyright owner.

The information presented in this document does not form part of any quotation or contract, is believed to be accurate and reliable and may be changed without notice. No liability will be accepted by the publisher for any consequence of its use. Publication thereof does not convey nor imply any license under patent- or other industrial or intellectual property rights.

Printed in The Netherlands

R75/04/pp8

Date of release: 2004 Jan 13

Document order number: 9397 750 12421





Home About NXP News Careers Investors Order/buy Tech support Contact my.NXP

Select site:

Search

[Advanced search / Selection guides](#)

Products ... Single PNP switching transistors **BSR16**

Applications Looking for

BSR15_BSR16

[Preview](#)

[Product information](#)

[Selection guide](#)

Datasheet



(Product Specification)
v.4.0, 2004-01-13
Pages, 133kB

[Download datasheet](#)
[Download all documentation](#)

PNP switching transistors

[General description](#)
[Features and benefits](#)
[Applications](#)
[Quick reference](#)
[Parametrics/similar products](#)

[Block diagrams/pinning](#)
[Pricing/ordering/availability](#)
[Samples](#)
[Products/packages](#)

[Quality/reliability/chemical content](#)
[Design support](#)
[Print/email](#)
[Disclaimers](#)

All information hereunder is subject to the subsequent disclaimers

General description

PNP switching transistor in a SOT23 plastic package. NPN complements: BSR13 and BSR14.

[Hide](#)

[Back to top](#)

Features and benefits

High current (max. 600 mA)
Low voltage (max. 60 V).

[Hide](#)

[Back to top](#)

Applications

Medium power switching.

[Hide](#)

[Back to top](#)

Parametrics/similar products

[Hide](#)

Type number	Package	h_{FE} [min]	h_{FE} [max]	f_T [min](MHz)	Polarity	Complement	I_C [max](mA)	V_{CEO} [max](V)	P_{tot} [max](mW)	t_{off} (ns)
BSR16	SOT23 (TO-236AB)	50	>50	200	PNP	BSR14	600	60	250	365

Similar products

BSR15_BSR16 links to the similar products page containing an overview of products that are similar in function or related to the type number(s) as listed on this page. The similar products page includes products from the same catalog tree(s), relevant selection guides and products from the same functional category.

[Back to top](#)

Pricing/ordering/availability

[Hide](#)

Type number	Ordering code (12NC)	Orderable part number	Region	Distributor	In stock	Order quantity	Inventory date	Buy online	Samples
BSR16	9335 084 00215	BSR16,215	EU	FUTURE ELECTRONICS UK	84,000		6/30/2011	Buy online	Order samples
			AS	AVNET ELECTRONICS / HONG KONG	48,000		6/24/2011	Buy online	
			NA	AVNET ELECTRONICS MARKETING	8,845		6/30/2011	Buy online	
			NA	MOUSER ELECTRONICS	4,257		6/30/2011	Buy online	
			NA	MOUSER ELECTRONICS	4,257		6/30/2011	Buy online	
			JAPAN	CHIP ONE STOP	yes		6/27/2011	Buy online	

[Back to top](#)

Products/packages

[Hide](#)

Type number	Orderable part number	Ordering code (12NC)	Product status	Package	Packing	Marking	ECCN
BSR16	BSR16,215	9335 084 00215	Volume production	SOT23 (TO-236AB)	Tape reel smd	Standard Marking	

[Back to top](#)

Quality/reliability/chemical content

[Hide](#)

Type number	Orderable part number	Chemical content	RoHS	Leadfree conversion date	RHF	IFR (FIT)	MTBF (hours)	MSL	MSL LF
BSR16	BSR16,215	BSR16	EU/CH RoHS COMPLIANT Pb	week 34, 2003				1	NA

[Quality and reliability disclaimer](#)

[Back to top](#)

Design support

[Hide](#)

Other type

[Letter Symbols - Transistors; General \(v.1.0, 1999-05-07\)](#)

Support Models

[Spice model of BSR16](#)

[Back to top](#)

Print/email

[Hide](#)

[Email this product information](#)
[Print this product information](#)

[Back to top](#)

Disclaimers

[Hide](#)

[General product disclaimer](#)
[Quality and reliability disclaimer](#)