

1024K NV SRAM with Phantom Clock
FEATURES

- Real time clock keeps tracks of hundredths of seconds, minutes, hours, days, date of the months, and years.
- Watch function is transparent to RAM operation.
- Data Retention over 10 years in absence of power.
- 128K x 8 NV SRAM directly replaces volatile static RAM or EEPROM.
- Embedded lithium energy cell maintains calendar operation and retains RAM data.
- Standard 32 pin DIP JEDEC Pinout.
- Month and year determine the number of days in each month
- Full $\pm 10\%$ operating range.
- Operating temperature range 0°C to 70°C.
- Available in 120 ns access time.

Pin configuration

$\overline{\text{RST}}$	1	32	VCC
A16	2	31	A15
A14	3	30	<u>NC</u>
A12	4	29	WE
A7	5	28	A13
A6	6	27	A8
A5	7	26	A9
A4	8	25	<u>A11</u>
A3	9	24	<u>OE</u>
A2	10	23	<u>A10</u>
A1	11	22	<u>CE</u>
A0	12	21	I/O7
I/O0	13	20	I/O6
I/O1	14	19	I/O5
I/O2	15	18	I/O4
Gnd	16	17	I/O3

Functional Description

The IM 1248Y 1024K NV SRAM with Phantom Clock is a fully static nonvolatile RAM organized as 128K words by 8 bits with a built-in real time clock.

This 'NV SRAM' has all the normal characteristics of a CMOS static RAM with an important benefit of data being retained in the absence of power. Data retention current is so small that a miniature lithium cell contained within the package provides an energy source to preserve data. Protection against data loss has also been incorporated to maintain data integrity during power on/off conditions.

The Phantom Clock provides timekeeping information including hundredths of seconds, seconds, minutes, hours, day, date, month and year information. The date at the end of the month is automatically adjusted for months with less than 31 days, including correction for leap years. The Phantom Clock operates in either 24-hour or 12-hour format with an AM/PM indicator.

PIN NAMES

<u>NC</u>	No Connection
<u>OE</u>	Output Enable
Gnd	Ground
I/O0 – I/O7	Data in/ Data Out
<u>Vcc</u>	Power Supply +5V
<u>WE</u>	Write Enable
<u>A0 – A16</u>	Address Inputs
<u>CE</u>	Chip Enable

1024K NV SRAM with Phantom Clock
READ MODE

The IM 1248Y performs a read cycle whenever \overline{WE} high and \overline{CE} low. The unique address specified by the 17 address inputs A0-A16 defines which of the 1,048,576 bytes of data is to be accessed. Valid data will be available to the eight data output drivers within access time t_{ACC} after the last address input is stable, provided that CE and OE access times are satisfied. If OE or CE access times are not satisfied, data access will be measured from the limiting parameter (t_{CO} or t_{OE}), rather than address. The state of the eight data I/O lines is controlled by the \overline{OE} and CE control signals. The data lines may be in an indeterminate state between t_{OH} and t_{AA} but the data lines will always have valid data at t_{AA} .

WRITE MODE

The IM 1248Y is in the write mode whenever \overline{CE} and WE inputs are held low. The latter occurring falling edge of either \overline{CE} or \overline{WE} determines the start of a write cycle. A write is terminated by the earlier rising edge of \overline{CE} or \overline{WE} . The address must be held valid throughout the write cycle. \overline{WE} must return to the high state for a minimum recovery time (t_{WR}) before another Read or Write cycle can be initiated. CE or \overline{WE} is high during power on to perfect memory after Vcc reaches Vcc (min) but before the processor stabilizes.

DATA RETENTION

The IM 1248Y provides full functional capability for Vcc greater than 4.75V and write protects at 4.5V. Data is retained in the absence of Vcc without any additional support circuitry. The SRAM constantly monitors VCC. The moment VCC decays, the RAM automatically write protects itself. All inputs to the RAM become “don’t care” and all outputs are in high impedance-state. As Vcc falls below approximately 3.0V the power switching circuit connects the lithium energy source to RAM to retain data. During power-on, when Vcc rises above approximately 3.0V the power switching circuit connects external Vcc to the RAM and disconnects the lithium energy source. Normal RAM operation can resume after VCC becomes greater than 4.5V.

Maximum Ratings

Operating Temperature.....0°C to 70°C
 Storage Temperature.....0°C to 70°C
 Soldering Temperature
 And Time.....260°C for 10 sec
 Supply Voltage.....-0.5V to 7.0V
 Input Voltage.....-0.5V to 7.0V
 Input/ Output Voltage.....-0.5V to Vcc + 0.3V
 Power Dissipation.....1.0W

Recommended D.C. Operating Conditions

Parameter	Symbol	Min.	Typ	Max.	Unit
Supply Voltage	Vcc	4.5	5.0	5.5	V
	Gnd	0	-	0	V
Input Voltage	V _{IH}	2.2	3.5	Vcc +0.3	V
	V _{IL}	0	-	0.8	V

1024K NV SRAM with Phantom Clock**PHANTOM CLOCK OPERATION**

Communication with the Phantom Clock is established by pattern recognition on a serial bit stream of 64 bits which must be matched by executing 64 consecutive write cycles containing the proper data on I/O0. All access which occur prior to recognition of the 64-bit pattern are directed to memory.

After recognition is established, the next 64 read or write cycles either extract or update data in the Phantom Clock, and memory access is inhibited.

Initially, a read cycle to any memory location using the $\overline{\text{CE}}$ and $\overline{\text{OE}}$ control of the Phantom Clock starts the pattern recognition sequence by moving a pointer to the first bit of the 64-bit comparison register. Next, 64 consecutive write cycles are executed using the $\overline{\text{CE}}$ and $\overline{\text{WE}}$ control of the SmartWatch. These 64 write cycles are used only to gain access to the Phantom Clock.

However, write cycle generated to gain access to the Phantom Cycle are also writing data to a location in the mated RAM. When the first write cycle is executed it is compared to bit 0 of the 64-bit comparison register, If a match is found, the pointer increments to the next location of the comparison register and awaits the next write cycle. If a match is not found the pointer does not advance and all subsequent write cycles are ignored. If a read cycle occurs at any time during pattern recognition, the present sequence is aborted and the comparison register have been matched. With a correct match for 64-bits the Phantom Clock is enabled and data transfer to or from the time-keeping register can proceed. The next 64-cycles will cause the Phantom Clock to either receive or transmit data on I/O0, depending the level of the OE pin or the WE.

PHANTOM CLOCK REGISTER INFORMATION

The Phantom Clock information is contained in 8 registers of 8 bits, each of which is sequentially accessed one bit at a time after the 64-bit pattern recognition sequence has been completed. When updating the Phantom Clock registers, each register must be handled in - groups of 8 bits. Writing and reading individual bits within a register could produce erroneous results.

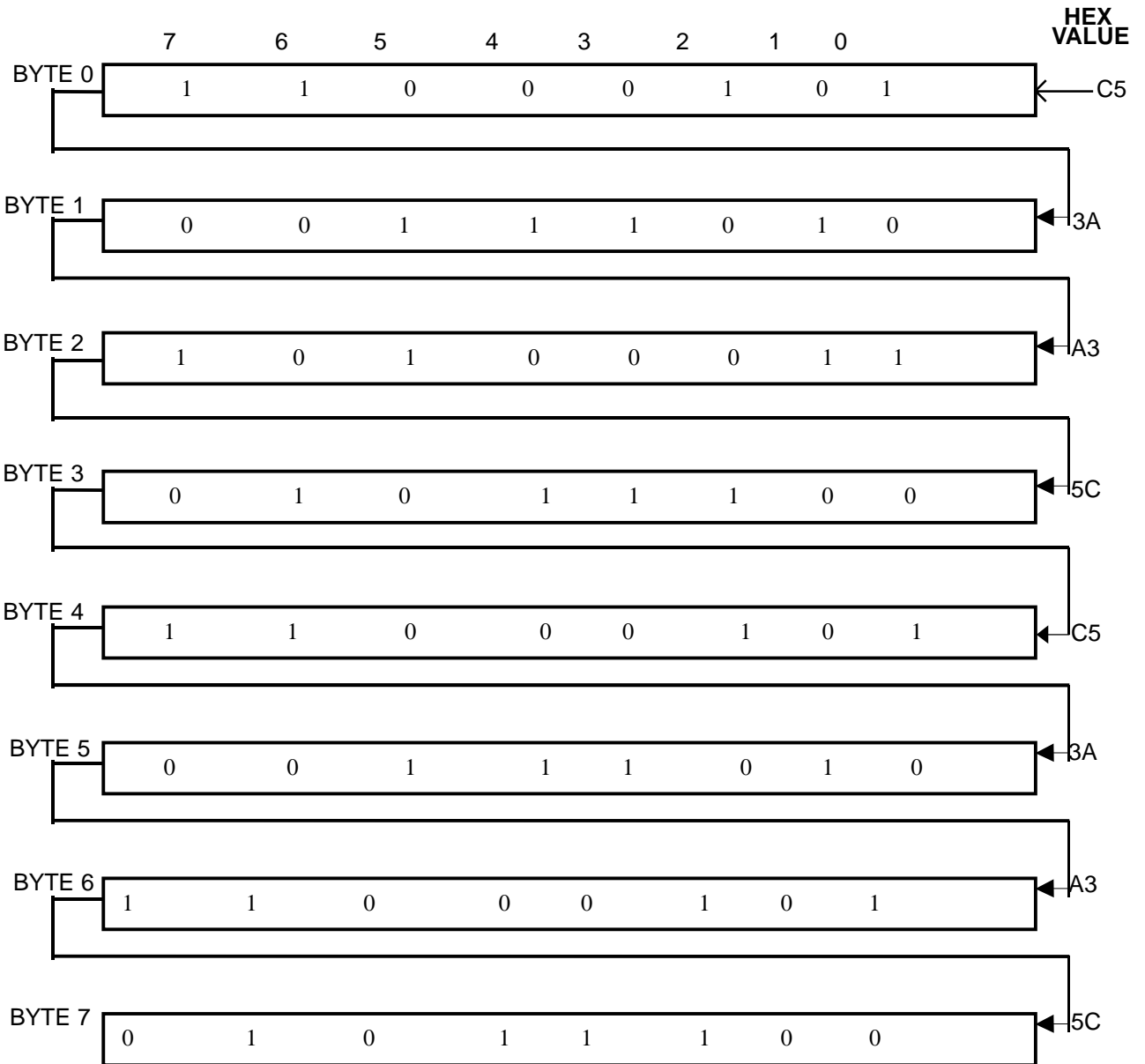
Data contained in the Phantom Clock register is in binary coded decimal format (BCD). Reading and writing the registers is always accomplished by stepping through all 8 registers, starting with bit 0 of register 0 and ending with bit 7 of register 7.

AM/PM 12/24 MODE

Bit 7 of the hours register is defined as the 12-or-24 hour mode select bit. When high, the 12-hour mode is selected. In the 12-hour mode, bit 5 is the AM/PM bit with logic high being PM. In the 24-hour mode, bit 5 is the second 10-hour bit (20-23 hours).

1024K NV SRAM with Phantom Clock

PHANTOM CLOCK REGISTER DEFINITION

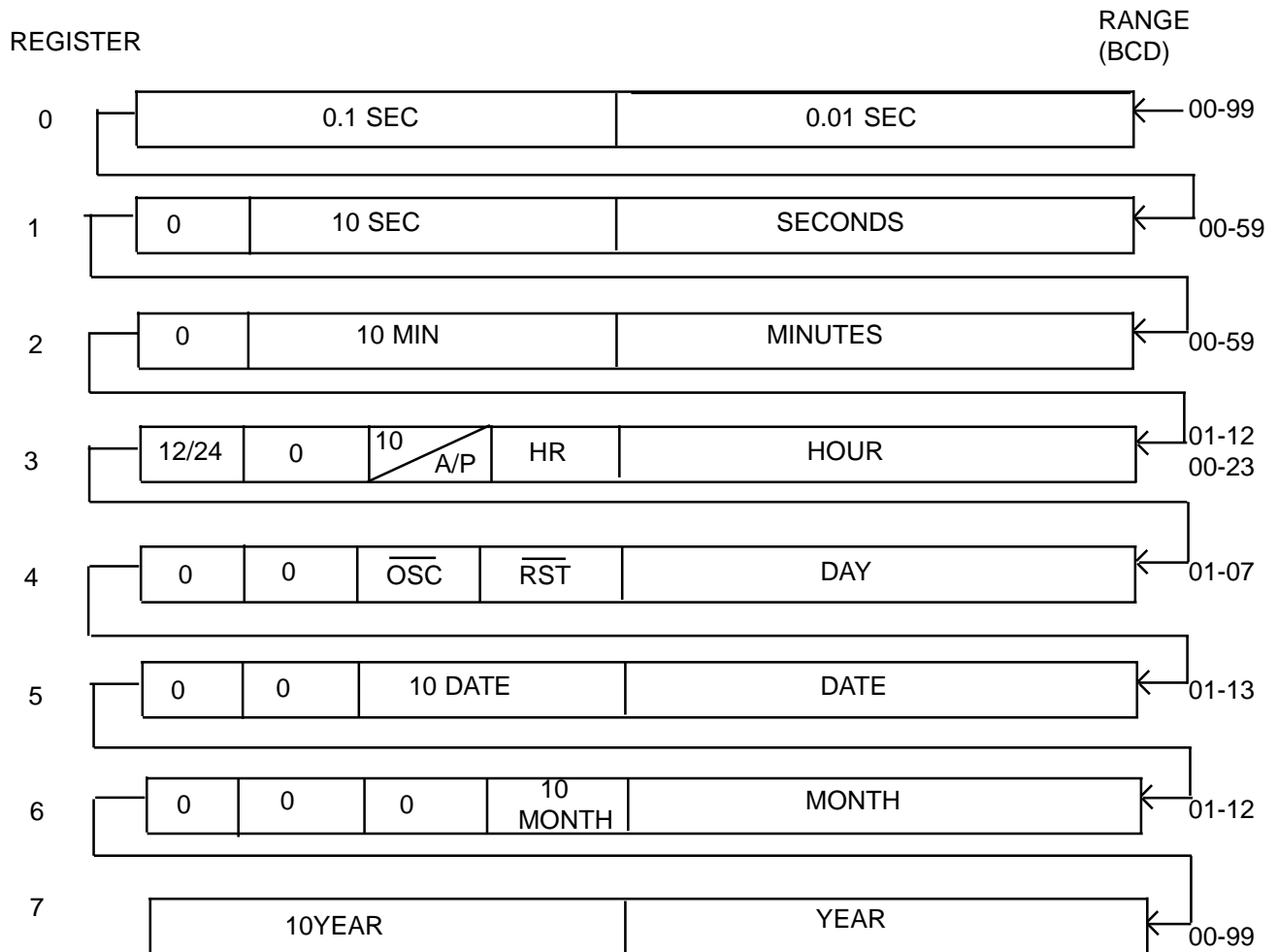


1024K NV SRAM with Phantom Clock

OSCILATTOR AND RESET BITS

Bits 4 and 5 of the day register are used to control the RESET and oscillator functions. Bit 4 controls the RESET (pin 1). When the RESET bit is set to logic 1, the RESET input pin is ignored. When the RESET bit is set to logic 0, A low input on the RESET pin will cause the Phantom Clock to abort data transfer without changing data in the watch registers. Bit 5 controls the oscillator. When set to logic 1, the oscillator is off. When set to logic 0, the oscillator turns on and the watch becomes operational. These bits are shipped from the factory set to a logic 1.

PHANTOM CLOCK REGISTER DEFINITION



1024K NV SRAM with Phantom Clock
DC ELECTRICAL CHARACTERISTICS (0°C TO 70°C; V_{CC} = 5V + 10%)

PARAMETER	SYMBOL	MIN	TYP	MAX	UNITS
Input Leakage Current	I _{IL}	-1.0		+1.0	A
I/O Leakage Current CE > V _{IH} < V _{CC}	I _{IO}	-1.0		+1.0	A
Output Current @ 2.4V	I _{OH}	-1.0			mA
Output Current @ 0.4V	I _{OL}	2.0			mA
Standby Current CE = 2.25V	I _{CCS1}		5.0	10	mA
Standby Current CE = V _{CC} - 0.5V	I _{CCS2}		3.0	5.0	mA
Operating Current t _{CYC} = 120ns	I _{CC01}			85	mA

Notes

1. Typical values are measured at Ta = 25°C and V_{CC} = 5V

Capacitance

Parameter	Description	Test conditons	Min.	Typ	Max	Unit
C _I	Input capacitance	V _i = 0V	-	5	10	pF
C _{IO}	I/O capacitance	V _{IO} = 0V	-	5	10	pF

1024K NV SRAM with Phantom Clock
Switching Characteristics over the operating range

Parameter	Description	Min	Max	Unit
t_{RC}	Read cycle time	120		ns
t_{ACC}	Address access time		120	ns
t_{OE}	Output enable access time		60	ns
t_{CO}	CE to output valid		120	ns
t_{COE}	OE or CE to output valid	5		ns
t_{OD}	Output High Z from Deselection		40	ns
t_{OH}	Output hold from adds change	5		ns
t_{WC}	Write cycle time	120		ns
t_{AW}	Address setup time	0		ns
t_{WP}	Write pulse-width	90		ns
t_{WR}	Write recovery time	20		ns
t_{ODW}	Output High Z from <u>WE</u>		40 ns	
t_{OEWE}	Output Active from WE	5		ns
t_{DS}	Input data setup time	50		ns
t_{DH}	Input data hold time	20		ns

POWER DOWN/POWER UP TIMING

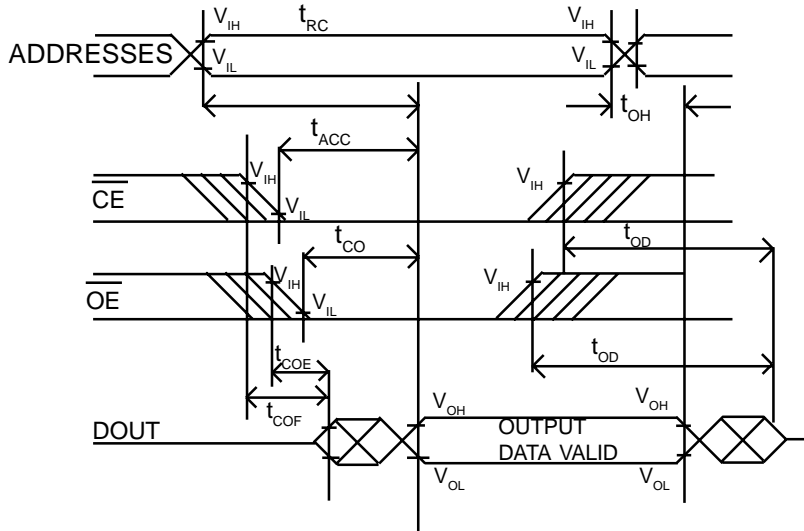
PARAMETER	SYMBOL	MIN	TYP	MAX	UNITS
CE at VIH before power-down	t_{PD}	0			us
Vcc Slow from 4.5 V to 0V (CE at VIH)	t_F	300			us
Vcc Slow from 0V to 4.5 V (CE at VIH)	t_R	0			us
CE at VIH after Power-Up	t_{REC}			2	ms

1024K NV SRAM with Phantom Clock
PHANTOM CLOCK AC ELECTRICAL CHARACTERISTICS(0°C TO 70°C,V_{CC}= 4.5 TO 5.5V)

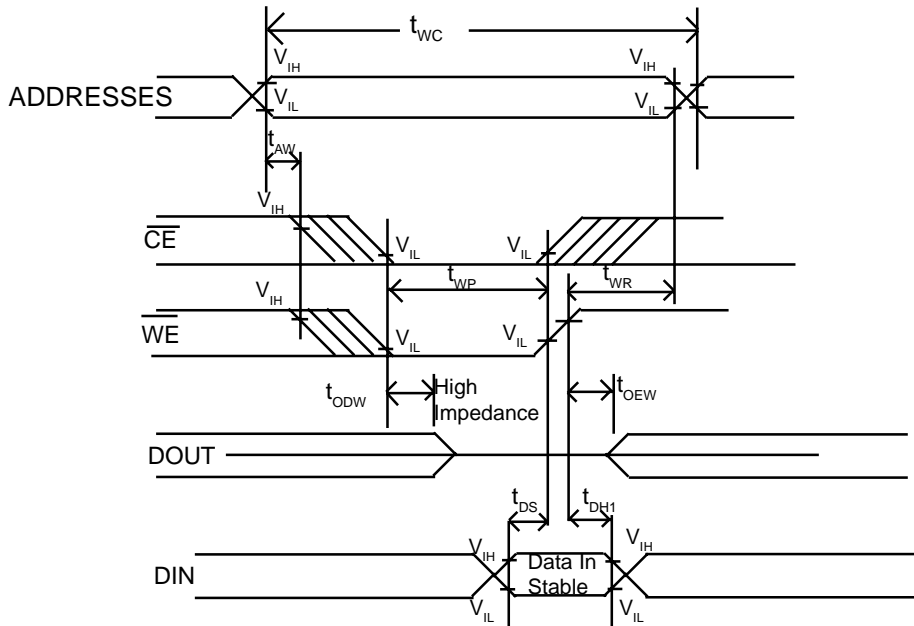
PARAMETER	SYMBOL	MIN	TYP	MAX	UNITS
Read Cycle Time	t_{RC}	120			ns
\overline{CE} Access Time	t_{CO}			100	ns
\overline{OE} Access Time	t_{OE}			100	ns
\overline{CE} to Output Low Z	t_{COE}	10			ns
\overline{OE} to Output Low Z	t_{OEE}	10			ns
\overline{CE} to Output High Z	t_{OD}			40	ns
\overline{OE} to Output High Z	t_{ODO}			40	ns
Read Recovery	t_{RR}	20			ns
Write Cycle Time	t_{WC}	120			ns
Write Pulse Width	t_{WP}	100			ns
Write Recovery	t_{WR}	20			ns
Data Setup Time	t_{DS}	40			ns
Data Hold Time	t_{DH}	10			ns
\overline{CE} Pulse Width	t_{CW}	100			ns
RESET Pulse Width	t_{RST}	200			ns
\overline{CE} High to Power-Fail	t_{PF}			0	ns

1024K NV SRAM with Phantom Clock

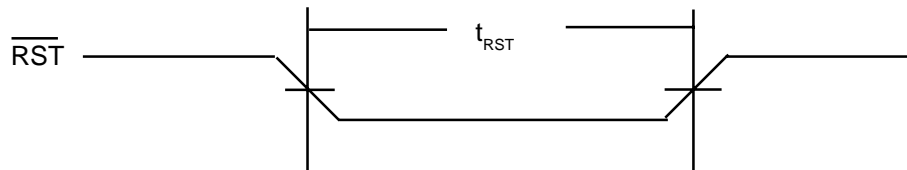
READ CYCLE



WRITE CYCLE 1

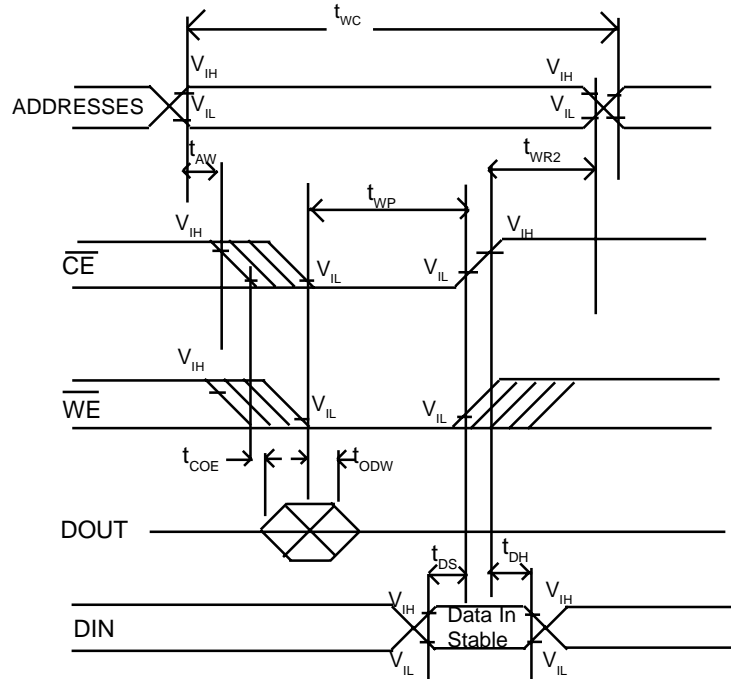


RESET FOR PHATOM CLOCK

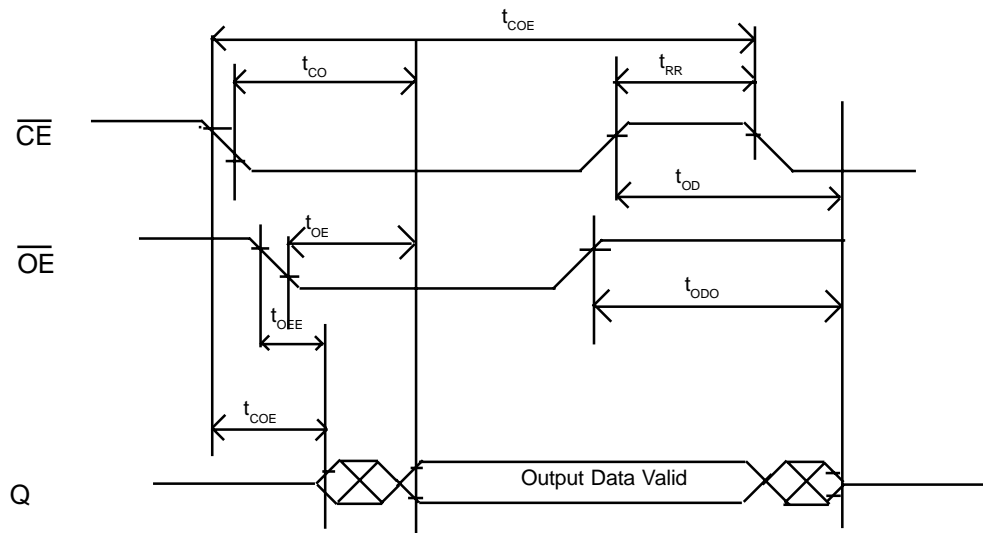


1024K NV SRAM with Phantom Clock

WRITE CYCLE 2



Read cycle to Phantom Clock



1024K NV SRAM with Phantom Clock

Phantom Read Cycle

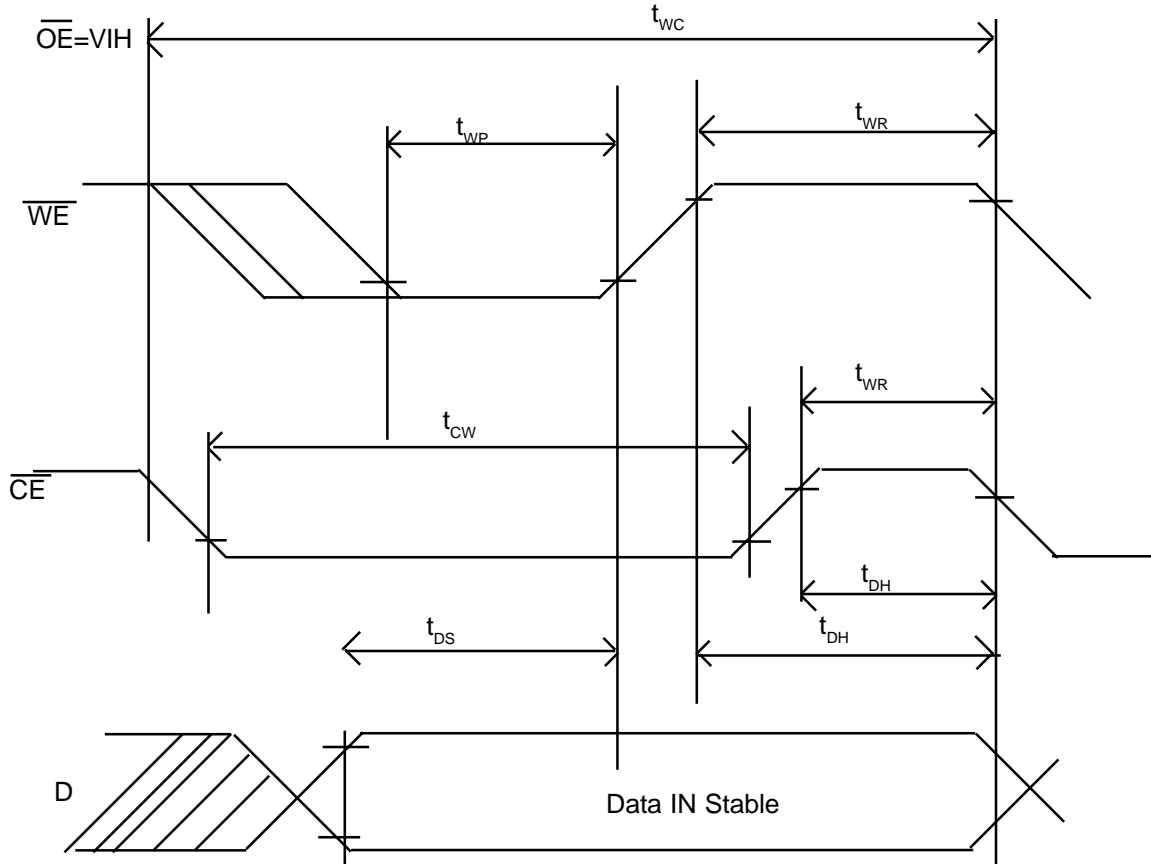
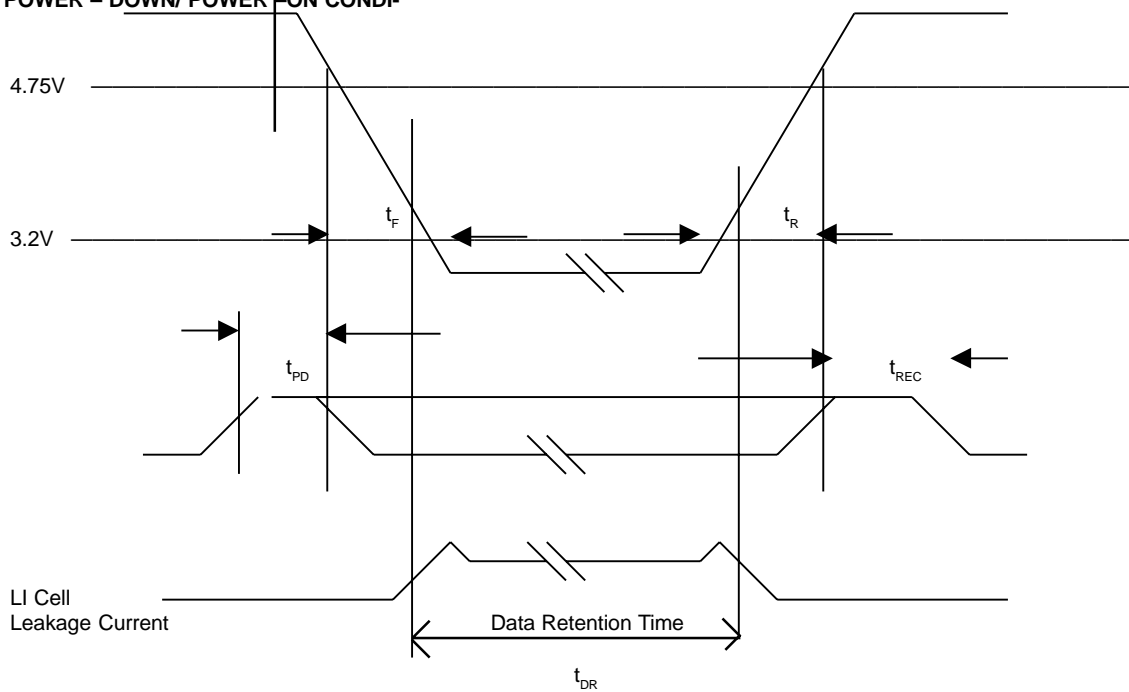
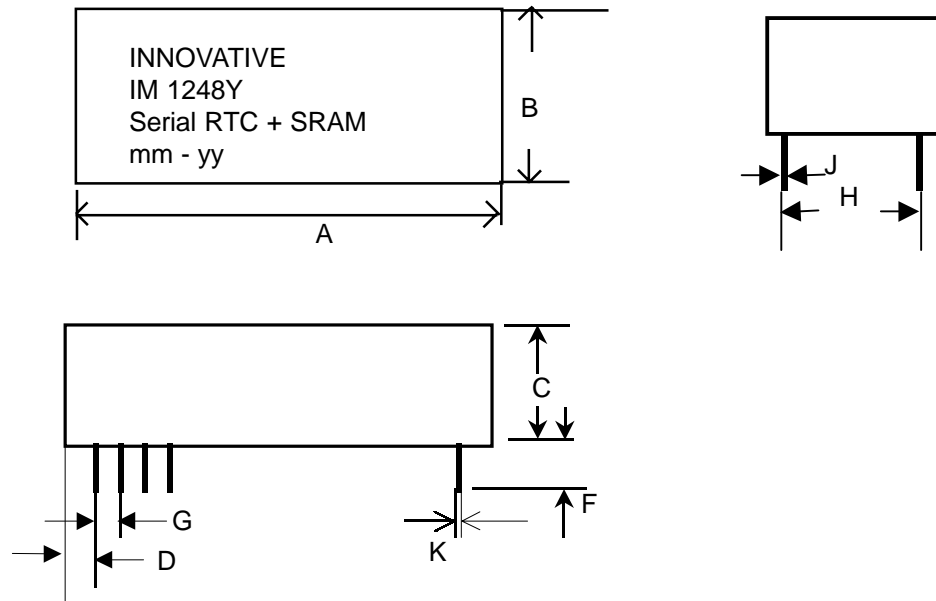


FIG. D POWER - DOWN/ POWER - ON CONDI-
TION



1024K NV SRAM with Phantom Clock



DIM IN INCHES	MIN.	MAX.
A	1.52	1.54
B	0.695	0.72
C	0.395	0.415
D	0.1	0.13
F	0.12	0.16
G	0.09	0.11
H	0.59	0.63
J	0.008	0.012
K	0.015	0.021

Ordering Information

Ordering Code	Package Type
IM1248	32-Pin SIP