

- 1N5822US AVAILABLE IN JAN, JANTX, JANTXV AND JANS PER MIL-PRF-19500/620
- 3 AMP SCHOTTKY BARRIER RECTIFIERS
- HERMETICALLY SEALED
- LEADLESS PACKAGE FOR SURFACE MOUNT
- METALLURGICALLY BONDED, DOUBLE PLUG CONSTRUCTION

1N5820US  
thru  
1N5822US

## MAXIMUM RATINGS

Operating Temperature: -65°C to +125°C  
 Storage Temperature: -65°C to +150°C  
 Average Rectified Forward Current: 3.0 AMP,  $T_{EC} = +55^{\circ}\text{C}$   
 Derating: 43 mA / °C above  $T_{EC} = +55^{\circ}\text{C}$

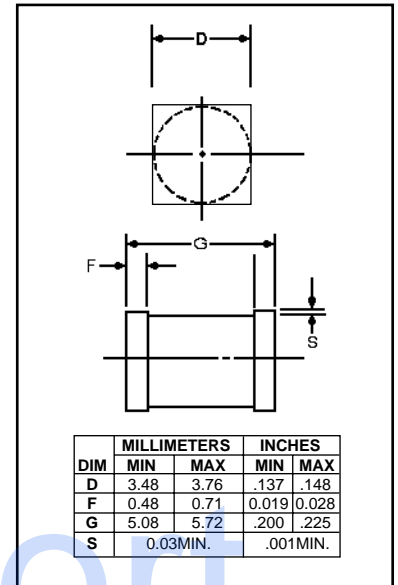


FIGURE 1

ELECTRICAL CHARACTERISTICS @ 25°C, unless otherwise specified.

CDI TYPE NUMBER	WORKING PEAK REVERSE VOLTAGE	MAXIMUM FORWARD VOLTAGE			MAXIMUM REVERSE LEAKAGE CURRENT AT RATED VOLTAGE		
		$V_{RWM}$	$V_F @ 1.0A$	$V_F @ 3.0A$	$V_F @ 9.4A$	$I_R @ 25^{\circ}\text{C}$	$I_R @ 100^{\circ}\text{C}$
		VOLTS	VOLTS	VOLTS	VOLTS	mA	mA
1N5820US	20	0.40	0.50	0.70	0.10	12.5	
1N5821US	30	0.40	0.50	0.70	0.10	12.5	
1N5822US	40	0.40	0.50	0.70	0.10	12.5	
J,JX, JV & JS 5822US	40	0.40	0.50	0.70	0.10	12.5	

## DESIGN DATA

**CASE:** D-5B, Hermetically sealed glass case, PER MIL-PRF 19500/620

**LEAD FINISH:** Tin / Lead

**THERMAL RESISTANCE:** ( $R_{\theta JC}$ ):  
10 °C/W maximum at L = 0 inch

**THERMAL IMPEDANCE:** ( $Z_{\theta JX}$ ): 3  
°C/W maximum

**POLARITY:** Cathode end is banded.

**MOUNTING SURFACE SELECTION:**  
The Axial Coefficient of Expansion (COE) of this device is approximately + 4PPM / °C. The COE of the Mounting Surface System should be selected to provide a suitable match with this device.



**COMPENSATED DEVICES INCORPORATED**

22 COREY STREET, MELROSE, MASSACHUSETTS 02176  
 PHONE (781) 665-1071 FAX (781) 665-7379  
 WEBSITE: <http://www.cdi-diodes.com> E-mail: [mail@cdi-diodes.com](mailto:mail@cdi-diodes.com)

# 1N5820US thru 1N5822US

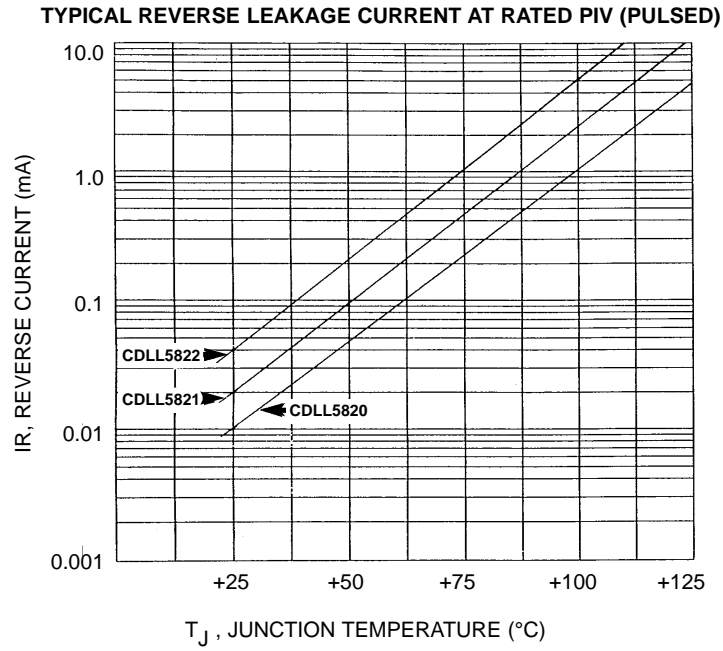


FIGURE 1

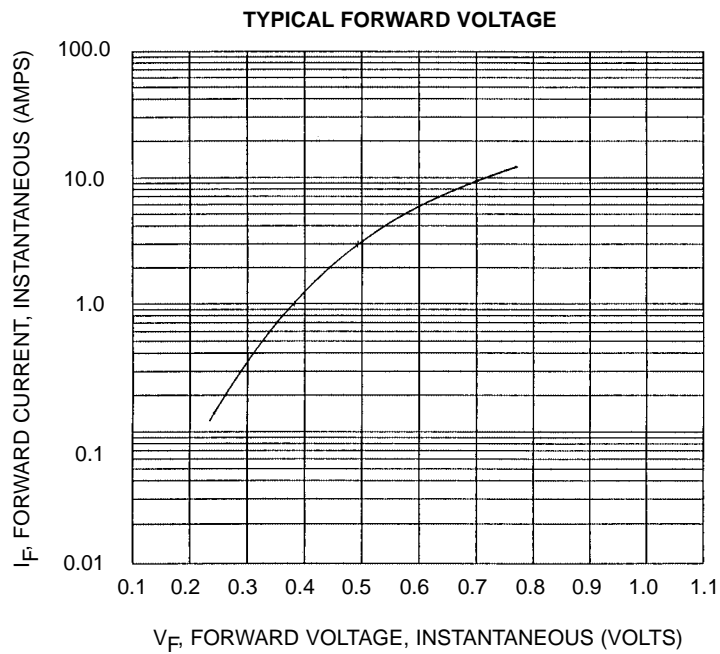


FIGURE 2