

PRODUCT NUMBER

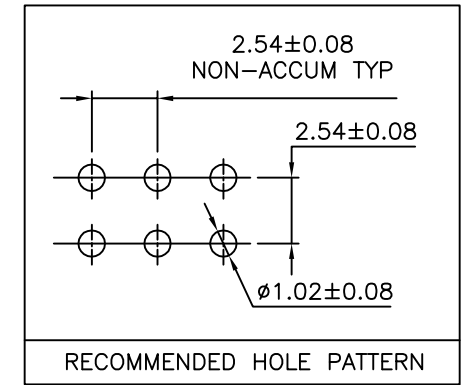
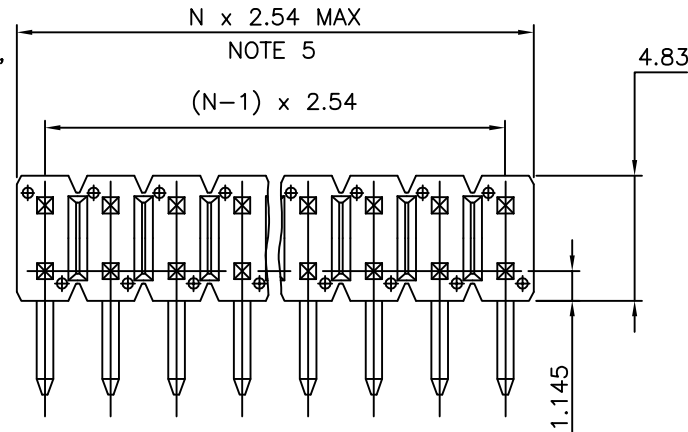
77317-YXX-XXLF

WHEN REQUIRED, ADD SUFFIX LETTER "LF"
INDICATES THE PRODUCT IS RoHS
COMPATIBLE, SEE NOTE 7

TOTAL NB OF POSITIONS 04 TO 72

PIN STYLE SEE SHEET 2

PLATING SEE SHEET 2



NOTES:

1. HOUSING MAT'L : HIGH TEMPERATURE THERMOPLASTIC. UL94V-0 COLOR: BLACK
2. PIN MATERIAL : PHOSPHOR BRONZE
3. PRODUCT PACKAGED IN POLY BAGS.
4. 9N MIN RETENTION IN EITHER DIRECTION
5. TO DETERMINE DIMENSIONS :
N = NUMBER OF POSITIONS PER ROW
EXAMPLE : 8 POS N x 2.54 = 20.32mm
6. UNDERPLATING : 1.27µm Ni MIN
7. RoHS COMPATIBLE PRODUCT SPECIFICATIONS

a - PLATING:

- "LF" MEANS THE PRODUCT IS LEAD-FREE, 2µm MINIMUM MATTE TIN OVER 1.27µm MINIMUM NICKEL UNDERPLATE.

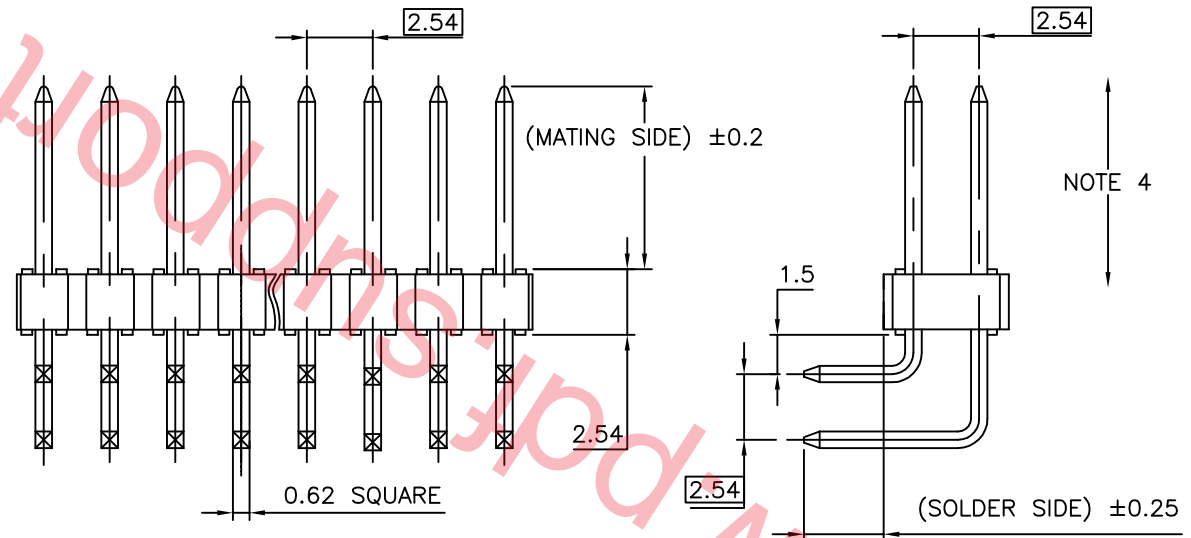
b - MANUFACTURING PROCESS COMPATIBILITY

- THE HOUSING WILL WITHSTAND EXPOSURE TO 260°C ±5°C SOLDER BATH TEMPERATURE FOR 5 SECONDS IN A WAVE SOLDER APPLICATION WITH A 1.6mm MIN THICK CIRCUIT BOARD.

c - LABELING:

- MEETS PACKAGING SPECS AS PER GS-14-920

d - LEGAL STATEMENT: SEE GS-22-008



mat'l. code		surface		tolerance		projection		product family	
SEE NOTES		ISO 1302		ISO 406 ISO 1101		mm		BERGSTIK	
ltr	ecn no	dr	date	tolerances unless otherwise specified		mm		title	
AA	F04-0167	JCO	04.04.05	angles	linear	.X ±0.3		UNSHR.HEADER	
AB	F04-0362	LMU	04.11.29			.XX ±0.15		RA DR TMT	
AC	F06-0207	LMU	06.07.27			.XXX ±0.05		scale 5:1	
AD	F06-0263	LMU	06.10.27	dr	D.LE	01.01.24		dwg no	
AE	F08-0148	RTR	08.03.31	engr	JM.C	01.01.24		sheet 1 of 2	
AF	F09-0212	LMU	09.11.03	chr	JM.C	01.01.24		size	
AG	F11-0320	LMU	12.01.25	appd	JF.N	01.01.24		77317	
sheet index	revision sheet	AG	AE					type	
	1 2							CUSTOMER Drawing	

PLATING

- 1 = 0.76µm GOLD/GXT ON CONTACT AREA 3.81µm TIN-LEAD ON TAIL
- 4 = 3.81µm TIN-LEAD ON CONTACT AREA 3.81µm TIN-LEAD ON TAIL
- 8 = 0.38µm GOLD/GXT ON CONTACT AREA 3.81µm TIN-LEAD ON TAIL
- G = 0.76µm FULL GXT
- S = 0.38µm FULL GXT
- 1.27µm NICKEL MIN UNDERLAYER FOR ALL PLATING VERSIONS
- WHEN "LF" IS REQUIRED, 2µm MATTE TIN OVER 1.27µm MIN NICKEL PROVIDED INSTEAD OF TIN-LEAD

PRODUCTS SPECIFICATIONS		
PIN STYLE	MATING	SOLDER
01	5.72	2.57
03	5.84	2.54
04	5.84	3.05
12	6.80	3.05
14	10.00	2.70
15	7.00	16.40
16	7.80	13.50
17	7.48	1.60
18	8.80	2.90
19	2.60	2.60
20	N/A	
21	10.89	3.05



FCIconnect.com

Copyright FCI

mat'l. code		surface		tolerance		projection		product family	
SEE NOTES		ISO 1302		ISO 406 ISO 1101				BERGSTIK	
ltr	ecn no	dr	date	tolerances unless otherwise specified		mm		title	
X	F04-0362	LMU	04.11.29	angles	linear	.X ±0.3		UNSHR.HEADER	
AA	F06-0207	LMU	06.07.27			.XX ±0.15		RA DR TMT	
AB	F06-0263	LMU	06.10.27			.XXX ±0.05		scale 5:1	
AC	F08-0148	RTR	08.03.31	dr	D.LE	01.01.24		dwg no	
AD	F09-0212	LMU	09.11.03	engr	JM.C	01.01.24		sheet 2 of	
AE	F11-0320	LMU	12.01.25	chr	JM.C	01.01.24		size	
				appd	JF.N	01.01.24		A3	
sheet index		revision sheet		type		CUSTOMER Drawing			