

6

5

4

3

2

1

**MATERIAL AND FINISH**

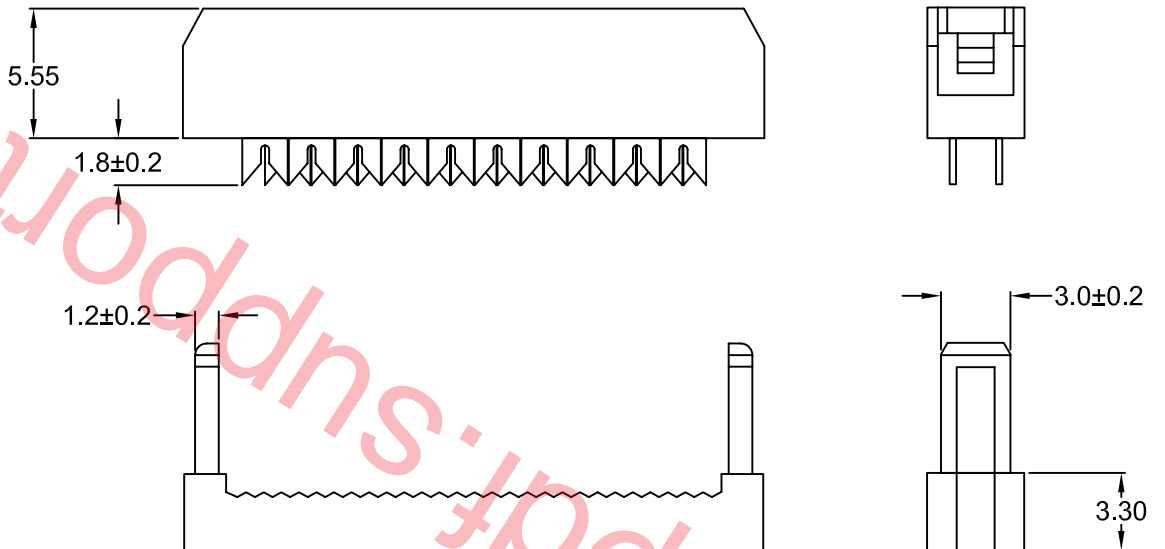
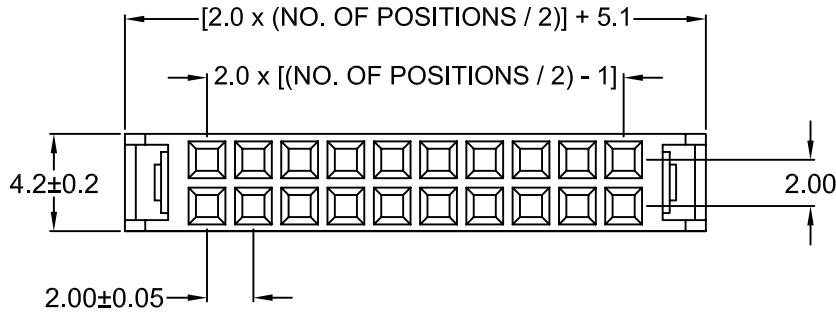
Insulator: PBT, 30% glass-filled, UL-94V-0 rated, color black  
Contacts: Phosphor bronze, Selective Gold plated (see chart) over Nickel

**ELECTRICAL SPECIFICATIONS:**

Rated current: 1A  
Insulation resistance: 1000 Mohm min. at 500VDC  
Contact resistance: 12 Mohm max. @ 6VDC 0.3A  
Dielectric withstanding voltage: 500VAC for one minute

Operating temperature: -55°C to +105°C

NOTE: USE IDC FLAT CABLE. 1.0mm PITCH  
28AWG STRANDED OR 30AWG SOLID



1000.pdf-supply.com

REVISIONS	CHNG	CHK	APPR
	REV	DATE	CHANGE

P/N	PLATING
TCSD-0XX-I-20	Gold Flash
TCSD-0XX-I-1-20	5 μ" Gold
TCSD-0XX-I-2-20	10 μ" Gold
TCSD-0XX-I-3-20	15 μ" Gold
TCSD-0XX-I-4-20	30 μ" Gold

TOLERANCE UNLESS OTHERWISE SPECIFIED	
X	± 1
X.X	± 0.4
X.XX	± 0.20
DRAWN BY	PB
DATE:	12/12/01
CHECK BY	TD
DATE:	12/12/01
APPR BY	
DATE:	

**Power Dynamics, Inc.**  
 Phone: 973 560-0019    Whippany, New Jersey    Fax: 973 560-0076

PART: RECEPTACLE; 2.0mm PITCH; 10-68 PINS  
 DOUBLE ROW / IDC FLAT WIRE

**TCSD-0XX-I-X-20**    SHEET 1 of 1

SCALE: NTS    ALL DIMENSIONS FOR REFERENCE ONLY  
 DIMENSIONS ARE IN MILLIMETERS    REV:

6

5

4

3

2

1