

PIN STRIP HEADER (Detachable Insulator)

FEATURES

- Detachable insulator for ultra low profile applications
- Cost effective replacement for pin staking
- MATE-RITE TIP prevents scraping of mating socket
- Rounded tails facilitate board placement
- Mates with Crane's ATP, ATS, ABH, ABS, and ABT Sockets; JUN Jumpers

STANDARD PART DIMENSIONS

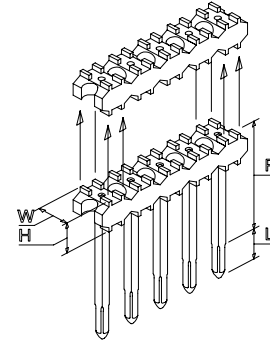
MATING		SINGLE ROW	DUAL ROW	TRIPLE ROW
P	POST "A"	0.318" / 8,08mm	0.318" / 8,08mm	0.318" / 8,08mm
	POST "B"	0.230" / 5,84mm	0.230" / 5,84mm	0.230" / 5,84mm
	POST "I"	See Selected Options (next page)		
INSULATOR BODY		SINGLE ROW	DUAL ROW	TRIPLE ROW
W	WIDTH	0.096" / 2,44mm	0.198" / 5,03mm	0.295" / 7,49mm
H	HEIGHT	0.098" / 2,49mm	0.098" / 2,49mm	0.098" / 2,49mm
PC TAIL		SINGLE ROW	DUAL ROW	TRIPLE ROW
L	LENGTH	0.110" / 2,79mm	0.110" / 2,79mm	0.110" / 2,79mm
For other lengths, see Selected Options (next page)				
BOARD LAYOUT		SINGLE ROW	DUAL ROW	TRIPLE ROW
Finished Plated Thru-Hole Size		0.032" ± 0.002" / 0,81mm ± 0,05mm	0.032" ± 0.002" / 0,81mm ± 0,05mm	0.032" ± 0.002" / 0,81mm ± 0,05mm
MATERIALS				
INSULATOR BODY		Glass Filled Polyester (UL94V-0)		
POST		Phosphor Bronze		

See SPECIFICATIONS and PERFORMANCE DATA for more detail

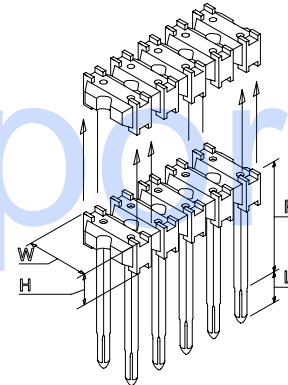
PIN STAKING ALTERNATIVE?

A Crane customer, frustrated with the "downtime" associated with his pin staking operation, ran tests to see if it would be a cost effective alternative to use Crane's DPEG Series connectors. The tests revealed he would not only save money, but eliminate the noise and rough handling associated with the staking operation.

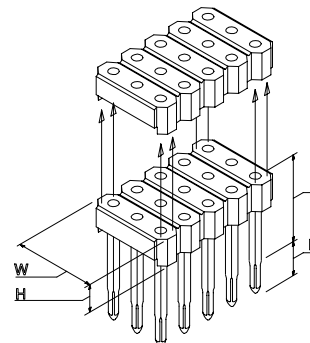
SINGLE ROW (1 to 40 Positions)



DUAL ROW (2 to 80 Positions)



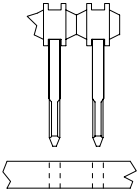
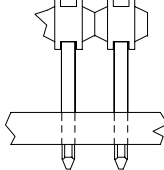
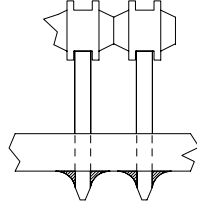
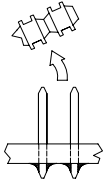
TRIPLE ROW (9 to 120 Positions)



SAMPLE HOTLINE: 1-800-676-7644

0.100" (2,54mm) Centers 0.025" (0,64mm) Square Mating Posts	HOW TO ORDER CRANE'S DPEG SERIES									
	STANDARD PART NUMBER								OPTIONAL	
					--					
PRODUCT SERIES	DPEG									
TOTAL NUMBER OF POSITIONS	SINGLE	01-40								
	DUAL	02-80								
	TRIPLE	09-120								
NUMBER OF ROWS	SINGLE	S								
	DUAL	D								
	TRIPLE	T								
TYPE OF HEADER	STRAIGHT		S							
PLATING (See Specs At Bottom Of Page)	G,T or M, H, L, F									
Due to the number of options, not all platings are stocked for all pin lengths. Contact factory for availability.										
MATING POST DATA	Mating Post Length	Minimum Gold Plated Area								
	0.318" / 8,08mm	0.180" / 4,57mm		A						
	0.230" / 5,84mm	0.180" / 4,57mm		B						
	OPTIONAL LENGTH - See Below			I						
TAIL (0.110" / 2,79mm STANDARD)	COINED		0.028" / 0,71mm Diagonal			R				
SELECTED OPTIONS						POST	TAIL			
	If you need one of our OPTIONAL dimensions, just add designator to the end of standard part.					I	0.180	0.100"	1	8

Crane's Detachable Insulator Headers

 <p style="font-size: small;">DPEG header is placed on the PC board</p>	 <p style="font-size: small;">Coined tail penetrates; square shoulder does not</p>	 <p style="font-size: small;">DPEG header is soldered to the PC board</p>	 <p style="font-size: small;">Insulator is removed from header after soldering</p>
--	---	---	---

NOTE: Crane recommends a PC hole diameter of 0.032" ± 0.002" for use with DPEG header series.

SAMPLE HOTLINE: 1-800-676-7644



CRANE CONNECTORS - PLATING SPECIFICATIONS

PLATING OPTIONS		CONTACT AREA Inches (Millimeters)	PC TAIL Inches (Millimeters)	UNDERPLATE Inches (Millimeters)
G	Selective	15 μ " (0,00038) Gold	100 μ " (0,00254) Tin/Lead - Min	50 μ " (0,00127) Nickel - Min.
T	Tin / Lead	100 μ " (0,00254) Tin / Lead	100 μ " (0,00254) Tin/Lead - Min	50 μ " (0,00127) Nickel - Min.
M	Selective	50 μ " (0,00127) Gold	100 μ " (0,00254) Tin/Lead - Min	50 μ " (0,00127) Nickel - Min.
H	Selective	30 μ " (0,00076) Gold	100 μ " (0,00254) Tin/Lead - Min	50 μ " (0,00127) Nickel - Min.
L	Selective	10 μ " (0,00025) Gold	100 μ " (0,00254) Tin/Lead - Min	50 μ " (0,00127) Nickel - Min.
F	Selective	3 μ " (0,00008) Gold	100 μ " (0,00254) Tin/Lead - Min	50 μ " (0,00127) Nickel - Min.

STANDARD TAIL OPTIONS ON 0.100" (2,54mm) PIN STRIP HEADERS

"R" COINED	"K" KINKED	"F" FINE	"Q" SQUARE
The standard "R" option provides a coined tail improving solder action while making insertion easier.	The "K" option provides a kinked tail, reducing unwanted movement on the PC board.	The "F" option combines an 0.018" rounded tail with an 0.025" square post. This fine line feature allows more traces between holes.	The "Q" option provides an 0.025" square tail for use in wire wrap applications.

STANDARDS

 UL File No. E120111 (N)	ISO9001  Crane Connectors File No. A-3620
Recognized to U.S. and Canadian requirements under the Component Recognition Program of Underwriters Laboratories Inc.	Registered by UL to ISO9001 under UL's accreditation by Raad voor de Certificatie (RvC), the Dutch Council for Certification.

SAMPLE HOTLINE: 1-800-676-7644