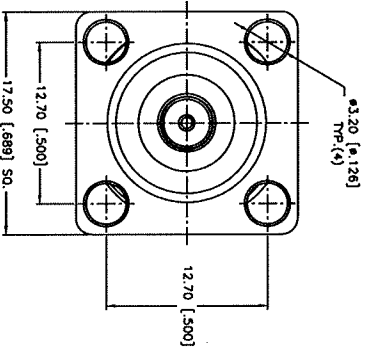
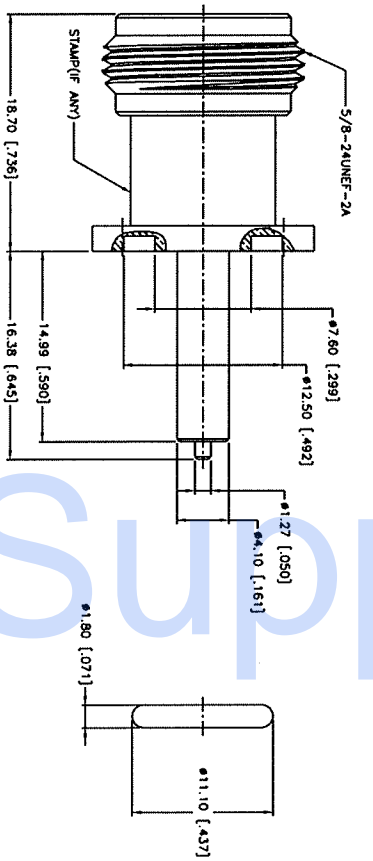


REV.	DATE	ECR NO.	DESCRIPTION
NC	02/12/11	---	INITIAL RELEASE



DESCRIPTION	MATERIAL	FINISH	QTY
5 GASKET	SILICONE	RED	1
4 RING	BRASS	NEXCOTE	1
3 CONTACT PIN	PHOSPHOR BRONZE	GOLD	1
2 INSULATOR	PTFE	NATURAL	1
1 BODY	BRASS	NEXCOTE	1

UNLESS OTHERWISE SPECIFIED DIMENSIONS ARE IN MILLIMETERS, UNLESS NOTED OTHERWISE IN PARENTHESES.	UNLESS OTHERWISE SPECIFIED DIMENSIONS FOR MILLIMETERS ARE:
0.5 - 8mm ± 0.12mm	CHECKED
8 - 30mm ± 0.40mm	DRAWN T. DENG
30 - 120mm ± 0.50mm	DATE 02/12/11
	APPROVALS

UNLESS OTHERWISE SPECIFIED DIMENSIONS ARE IN MILLIMETERS, UNLESS NOTED OTHERWISE IN PARENTHESES.	UNLESS OTHERWISE SPECIFIED DIMENSIONS FOR MILLIMETERS ARE:
0.20 - .315 ± ± 0.005"	CHECKED
.315 - 1.180 ± ± 0.015"	DRAWN T. DENG
1.180 - 4.724 ± ± 0.020"	DATE 02/12/11
	APPROVALS

DO NOT SCALE DRAWING	CAD FILE	DWG. NO.	REV.	SITE	SCALE
	C:/CONNEX/172224-22.DWG	172224-22	A	A	NA

PART DESCRIPTION	PART NO.
Amphenol Connex N PANEL RECEPT. JACK	172224-22