

SPECIFICATIONS

Mechanical

Contact Retention Force: 0.50Kg min.

Electrical

Voltage Rating: 750V

Current Rating: 2.75A

Contact Resistance: 10mΩ max.

Dielectrical Withstanding Voltage: 1000V

Insulation Resistance: 1000MΩ min.

Physical

Housing: LCP, UL 94-0 rated, Ivory White

Contact: Phosphor Bronze

Plating: See "ORDERING INFORMATION"

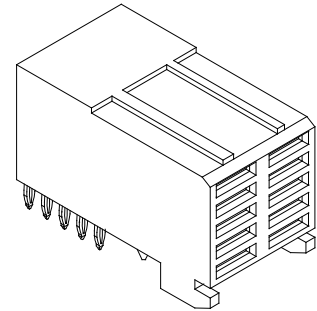
FUTURE BUS CONNECTOR

1F Series

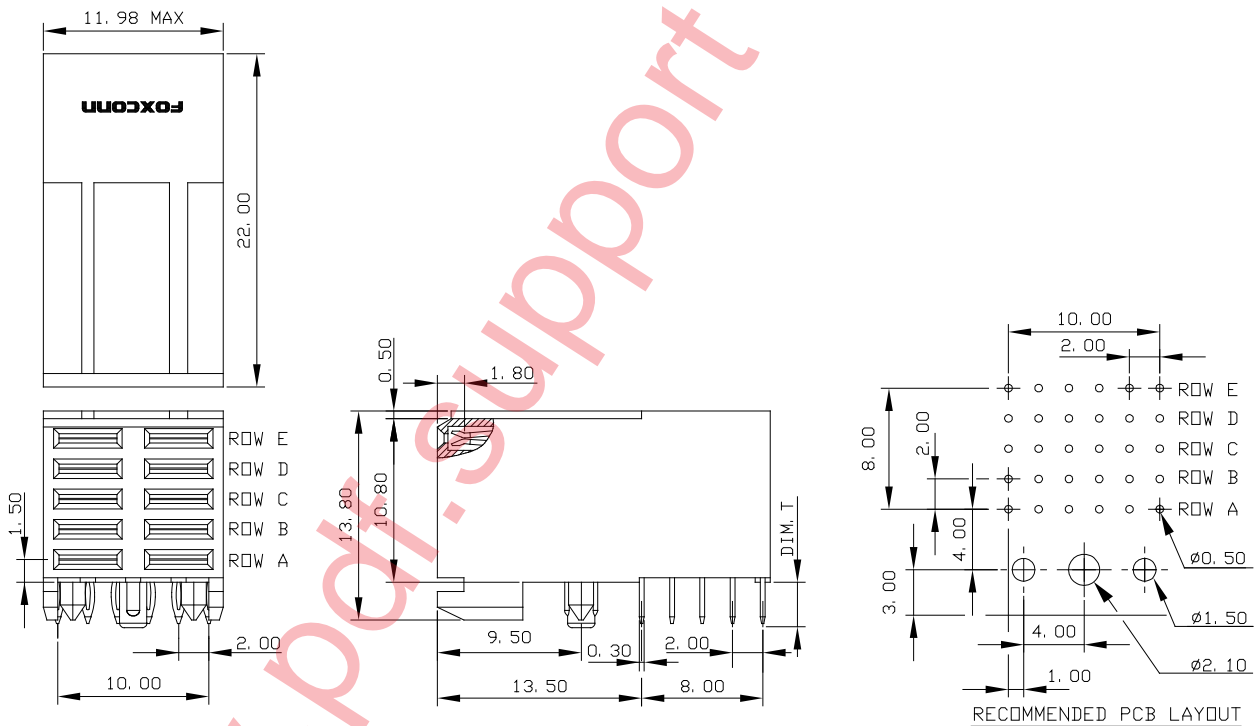
Power Rec. Press Fit Type

2.0mm Pitch

5 Rows



DRAWING



ORDERING INFORMATION

PRODUCT NO.: 1 F 2 4 0 1 0 * - P * 0 1 0 * - **

- POS. NO.(N)
010: 10 POS.
- Mating Area Plating,
1 : GOLD FLASH
3 : 0.76um(30u")MIN. GOLD PLATING
5 : 1.27um(50u")MIN. GOLD PLATING
6 : 0.25um(10u")MIN. GOLD PLATING
A : 0.76um(30u")MIN. FPT PLATING,
0.25um(10u")MIN. GOLD PLATING
- Tail Style
P : PRESS FIT TYPE
- Tail Length (DIM.T)
2 : 2.73mm
- Lead Free Code
N: NONE
F: LEAD FREE PLATING
- Package Type
A: TUBE
- Extension Code
N,T,L,M
- Body Style
10: STANDARD PART