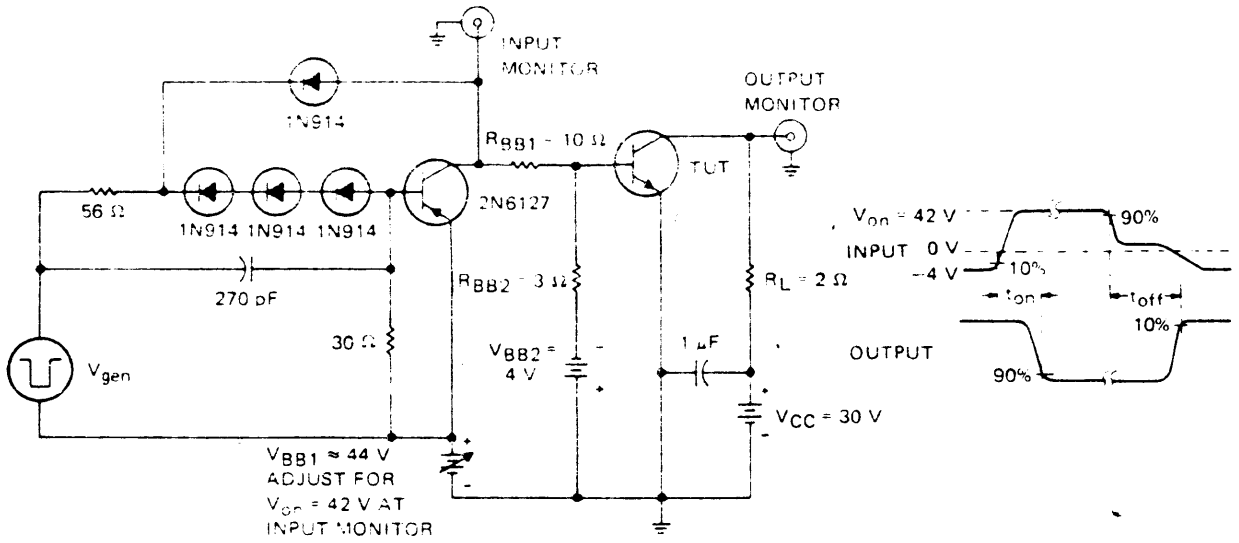


TYPES 2N6326, 2N6327, 2N6328 N-P-N SILICON POWER TRANSISTORS

PARAMETER MEASUREMENT INFORMATION



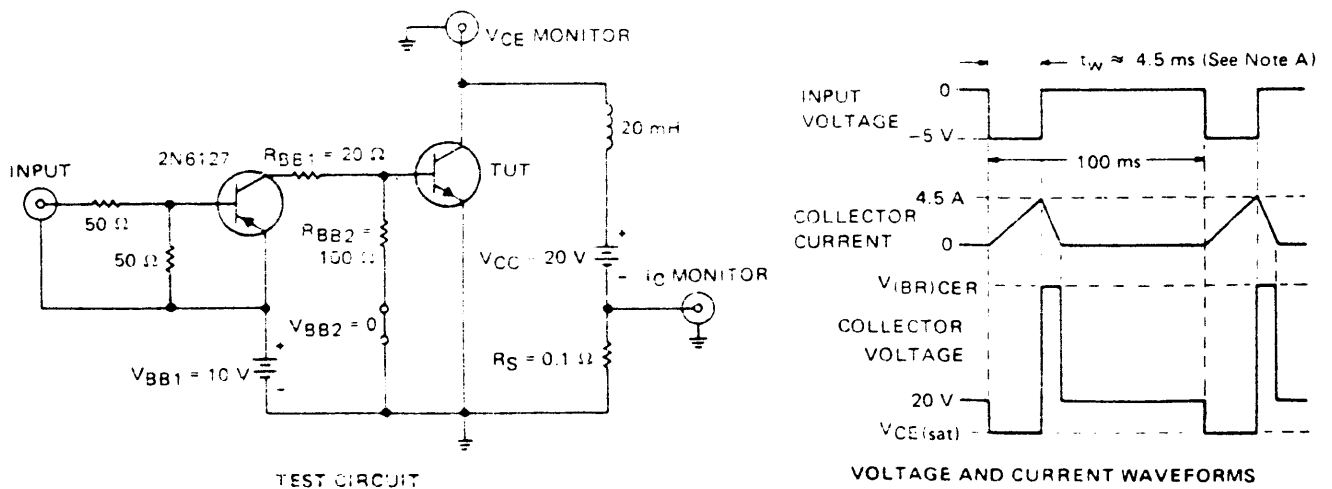
TEST CIRCUIT

VOLTAGE WAVEFORMS

- NOTES:
- A. V_{gen} is a ± 30 V pulse (from 0 V) into a $50\text{-}\Omega$ termination.
 - B. The V_{gen} waveform is supplied by a generator with the following characteristics: $t_r \leq 15$ ns, $t_f \leq 15$ ns, $Z_{out} = 50\text{-}\Omega$, $t_w = 20\text{-}\mu$ s, duty cycle $\leq 2\%$.
 - C. Waveforms are monitored on an oscilloscope with the following characteristics: $t_r \leq 15$ ns, $R_{in} \geq 10\text{-}M\Omega$, $C_{in} \leq 11.5$ pF.
 - D. Resistors must be noninductive types.
 - E. The d.c. power supplies may require additional bypassing in order to minimize ringing.

FIGURE 1

INDUCTIVE LOAD SWITCHING



TEST CIRCUIT

VOLTAGE AND CURRENT WAVEFORMS

NOTE A: Input pulse width is increased until $I_{CM} = 4.5$ A.

FIGURE 2

TEXAS
INSTRUMENTS

TYPES 2N6326, 2N6327, 2N6328 N-P-N SILICON POWER TRANSISTORS

MAXIMUM SAFE OPERATING AREAS

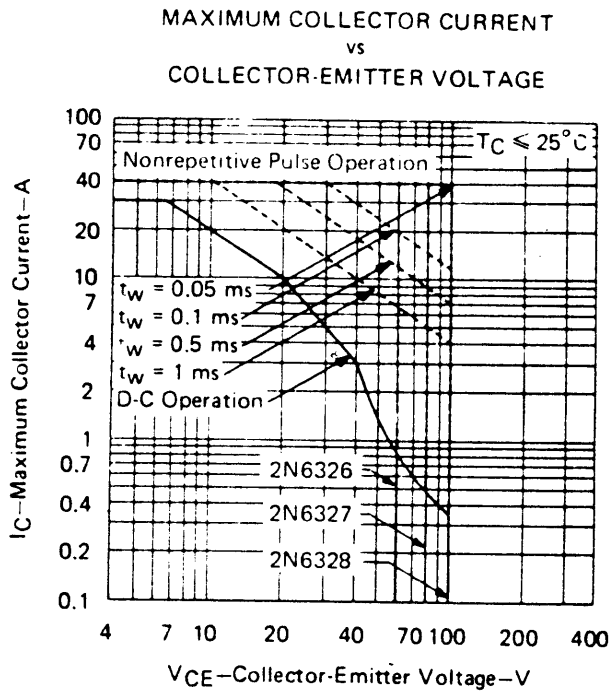


FIGURE 3

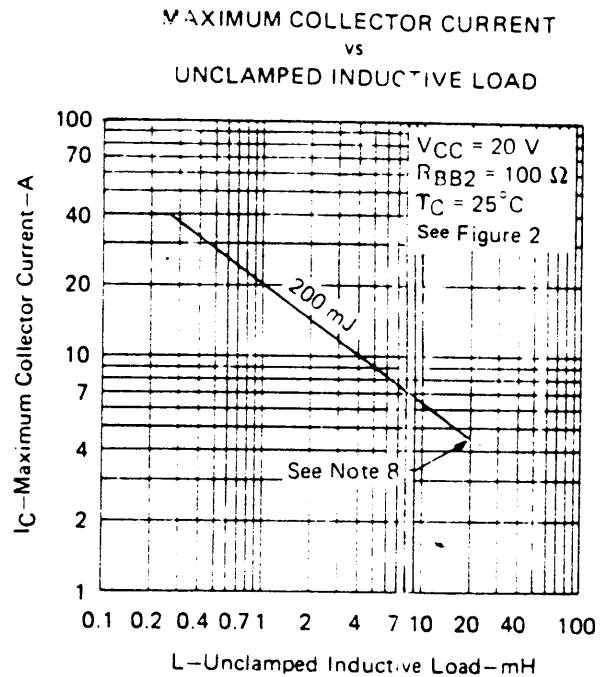


FIGURE 4

NOTE 8: Above this point the safe operating area has not been defined.

THERMAL INFORMATION

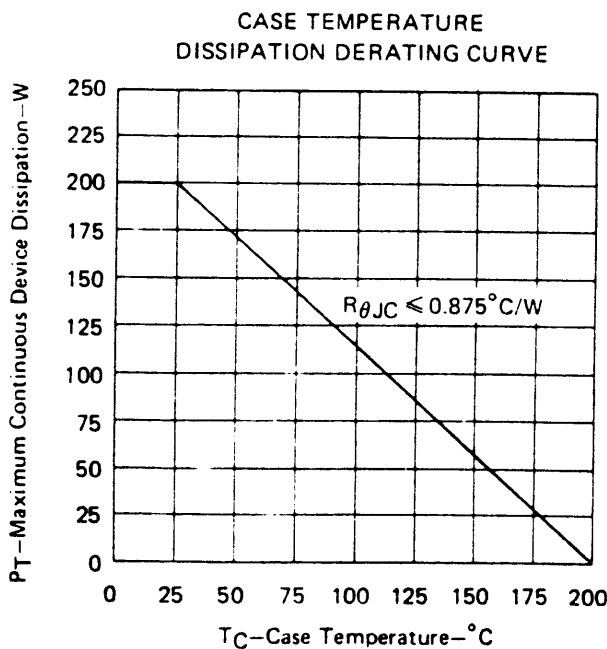


FIGURE 5

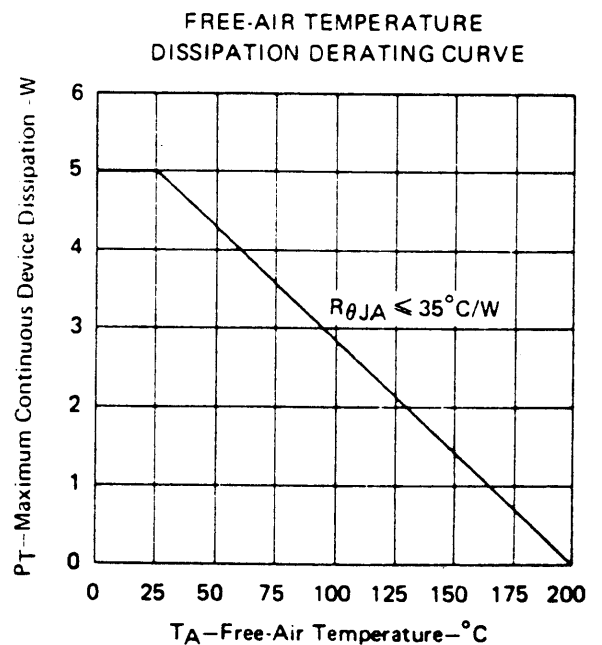


FIGURE 6

UNITED KINGDOM
Regional Technology Centre
Texas Instruments Limited
Manton Lane
Bedford MK41 7PA
Telephone: (0234) 67466
Telex: 82178
Technical Enquiry Service
Telephone: (0234) 223000

FRANCE
Texas Instruments France
Boite Postale 5
06270 Villeneuve Louber
Telephone: (93) 200101
Telex: 470127

GERMANY
Texas Instruments
Deutschland GmbH.
Haggertystrasse 1
8050 Freising
Telephone: 08161 800
Telex: 526529

ITALY
Texas Instruments
Semiconduttori Italia S.P.A.
Divisione Semiconduttori
Viale delle Scienze 1
02015 Cittaducale (Rieti)
Telephone: (0746) 6941
Telex: 611003