

# Amphenol MIL-DTL-26482, Series 2, Matrix<sup>®</sup>



## TABLE OF CONTENTS

### MIL-DTL-26482, Series 2, Matrix<sup>®</sup>

- Design Characteristics, Customer Options . . . . . 333
- Insert Availability and Identification, Alternate Positioning . . . . . 334
- Insert Arrangement Drawings . . . . . 335, 336
- Class Descriptions, Performance Specifications . . . . . 337
- How to Order (Military and Commercial) . . . . . 338

### Shell Styles:

- Wall Mounting Receptacle with Narrow Flange, Wall Mounting Receptacle with Wide Flange . . . . . 339
- Cable Connecting Receptacle, Jam Nut Receptacle. . . . . 340
- Straight Plug, Straight Plug with RFI Grounding Fingers . . . . . 341

### Contacts and Tools:

- Contact Information, Sealing Plugs, Crimping and Insertion/Removal Tools . . . . . 342
- Assembly Instructions . . . . . 343, 344

### Additional MIL-DTL-26482 Connectors

- Brief Description of Commercial/Military MIL-DTL-26482, Series 1 . . . . . 345  
(Covered in-depth in Amphenol Industrial Catalog 12-070)



## MIL-DTL-26482 Series 2, Matrix<sup>®</sup> Typical Markets:

- Military & Commercial Aviation
  - Cockpit, Landing Gear, Aircraft Frame
- Military Aircraft Carriers
- Instrumentation/Process Control/Test Equipment
- C4ISR



Amphenol Aerospace offers the Matrix® Product line of MIL-DTL-26482\*, Series 2 connectors.

This series provides a bayonet coupling connector with crimp rear insertable, rear releasable contacts.

#### DESIGN CHARACTERISTICS

- Medium size, environmentally resistant connector
- Recommended operating voltage to 1,000 VAC (RMS) at sea level
- Quick positive coupling assured by 3 point bayonet coupling system
- Visual confirmation of complete coupling
- Eliminates mismatching by the use of five key/keyway design
- Insertion and removal of contacts from the rear of the connector assures no damage to the front that might affect the sealing characteristics
- Utilizes same standard qualified rear-release type plastic tool for contact insertion and removal
- Contacts are qualified to SAE AS39029\*\* requirements – BIN coded (three color bands), and are crimped with standard crimp tools per MIL-DTL-22520
- Grommets are constructed of tear-resistant elastomer and experience no degradation when exposed to a broad range of fluids
- Sealing over a range of wire diameters is assured by a triple webbed grommet at the rear of the connector
- Closed entry socket side of the insert is designed with a lead-in chamfer and a hard face that will accept a pin contact bent within pre-established limits
- Elastomer interfacial seal on the pin side has raised barriers around each pin which displace into the socket chamfer when mated, providing a positive moisture seal

#### CUSTOMER OPTIONS

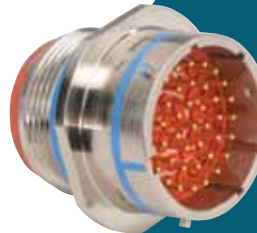
- Shell styles within this family include: Wall mount with either a narrow or a wide flange, jam nut single hole mount, and cable connecting receptacles, along with standard plugs or plugs with RFI grounding fingers, in shell sizes 8 to 24
- MS and Proprietary versions available
- Accommodation of contact sizes 20, 16 and 12
- 34 insert arrangement patterns available, accommodating from a minimum of 3 to a maximum of 55 circuits
- Alternate positioning available
- Various finishes are available (for information on non-cadmium zinc alloy plating, consult Amphenol Aerospace)

\* MIL-DTL-26482 supersedes MIL-C-26482

\*\* SAE AS39029 supersedes MIL-C-39029



MS3470  
wall mounting receptacle  
with narrow flange



MS3472  
wall mounting receptacle  
with wide flange

MS3471  
cable connecting recep-  
tacle



MS3474  
jam nut receptacle



MS3476  
straight plug  
MS3475  
plug with RFI grounding  
fingers

38999

III

HD

Dualok

II

I

SJT

Accessories

Aquacon

Herm/Seal

PCB

HIGH  
SPEED

Fiber  
Optics

Contacts  
Connectors  
Cables

EMI Filter  
Transient

26482  
Matrix 2

83723 III  
Matrix | Pyle

26500  
Pyle

5015  
Crimp Rear  
Release  
Matrix

22992  
Class 1

Back-  
Shells

Options  
Others

**Alternate Rotations**

**INSERT ARRANGEMENTS**

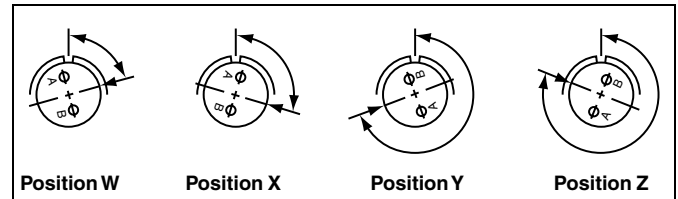
| Insert Arrangement | Service Rating | Total Contacts | Contact Size |    |    |
|--------------------|----------------|----------------|--------------|----|----|
|                    |                |                | 12           | 16 | 20 |
| 8-33               | I              | 3              |              |    | 3  |
| 8-98               | I              | 3              |              |    | 3  |
| 10-6               | I              | 6              |              |    | 6  |
| 12-3               | II             | 3              |              | 3  |    |
| 12-8               | I              | 8              |              |    | 8  |
| 12-10              | I              | 10             |              |    | 10 |
| 14-4               | I              | 4              | 4            |    |    |
| 14-5               | II             | 5              |              | 5  |    |
| 14-9               | I              | 9              | 4            |    | 5  |
| 14-12              | I              | 12             |              | 4  | 8  |
| 14-15              | I              | 15             |              | 1  | 14 |
| 14-18              | I              | 18             |              |    | 18 |
| 14-19              | I              | 19             |              |    | 19 |
| 16-8               | II             | 8              |              | 8  |    |
| 16-23S             | I              | 23             |              | 1  | 22 |
| 16-26              | I              | 26             |              |    | 26 |
| 18-8               | I              | 8              | 8            |    |    |
| 18-11              | II             | 11             |              | 11 |    |
| 18-30              | I              | 30             |              | 1  | 29 |
| 18-32              | I              | 32             |              |    | 32 |
| 20-16              | II             | 16             |              | 16 |    |
| 20-24S             | I              | 24             |              |    | 24 |
| 20-39              | I              | 39             |              | 2  | 37 |
| 20-41              | I              | 41             |              |    | 41 |
| 22-12              | I              | 12             | 12           |    |    |
| 22-19S             | I              | 19             | 19           |    |    |
| 22-21              | II             | 21             |              | 21 |    |
| 22-32S             | I              | 32             |              |    | 32 |
| 22-41              | I              | 41             |              | 14 | 27 |
| 22-55              | I              | 55             |              |    | 55 |
| 22-95              | I              | 32             | 6            |    | 26 |
| 24-19S             | II             | 19             | 19           |    |    |
| 24-31              | I              | 31             |              | 31 |    |
| 24-61              | I              | 61             |              |    | 61 |

Arrangements designated with an S are tooled in socket only.

**ALTERNATE ROTATIONS OF INSERT**

To avoid cross-plugging problems in applications requiring the use of more than one connector of the same size and arrangement, alternate rotations are available as indicated in the chart below.

As shown in the diagram, the front face of the pin insert is rotated within the shell in a clockwise direction from the normal shell key. The socket insert would be rotated counter-clockwise the same number of degrees in respect to the normal shell key.



View looking into front face of pin insert or rear of socket insert.

| Insert Arrangement | Degrees |     |     |     |
|--------------------|---------|-----|-----|-----|
|                    | W       | X   | Y   | Z   |
| 8-33               | 90      | -   | -   | -   |
| 8-98               | -       | -   | -   | -   |
| 10-6               | 90      | -   | -   | -   |
| 12-3               | -       | -   | 180 | -   |
| 12-8               | 90      | 112 | 203 | 292 |
| 12-10              | 60      | 155 | 270 | 295 |
| 14-4               | 45      | -   | -   | -   |
| 14-5               | 40      | 92  | 184 | 273 |
| 14-9               | 15      | 90  | 180 | 270 |
| 14-12              | 43      | 90  | -   | -   |
| 14-15              | 17      | 110 | 155 | 234 |
| 14-18              | 15      | 90  | 180 | 270 |
| 14-19              | 30      | 165 | 315 | -   |
| 16-8               | 54      | 152 | 180 | 331 |
| 16-23              | 158     | 270 | -   | -   |
| 16-26              | 60      | -   | 275 | 338 |
| 18-8               | 180     | -   | -   | -   |
| 18-11              | 62      | 119 | 241 | 340 |
| 18-30              | 180     | 193 | 285 | 350 |
| 18-32              | 85      | 138 | 222 | 265 |
| 20-16              | 238     | 318 | 333 | 347 |
| 20-24              | 70      | 145 | 215 | 290 |
| 20-39              | 63      | 144 | 252 | 333 |
| 20-41              | 45      | 126 | 225 | -   |
| 22-12              | -       | -   | -   | -   |
| 22-19              | 15      | 90  | 225 | 308 |
| 22-21              | 16      | 135 | 175 | 349 |
| 22-32              | 72      | 145 | 215 | 288 |
| 22-41              | 39      | 135 | 264 | -   |
| 22-55              | 30      | 142 | 226 | 314 |
| 22-95              | 26      | 180 | 266 | -   |
| 24-19              | 30      | 165 | 315 | -   |
| 24-31              | 90      | 225 | 255 | -   |
| 24-61              | 90      | 180 | 270 | 324 |

38999

III

HD

Dualok

II

I

SJT

Accessories

Aquacon

Herm/Seal

PCB

HIGH SPEED

Fiber Optics

Contacts Connectors Cables

EMI Filter Transient

26482 Matrix 2

83723 III Matrix | Pyle

26500 Pyle

5015 Crimp Rear Release Matrix

22992 Class I

Back-Shells

Options Others

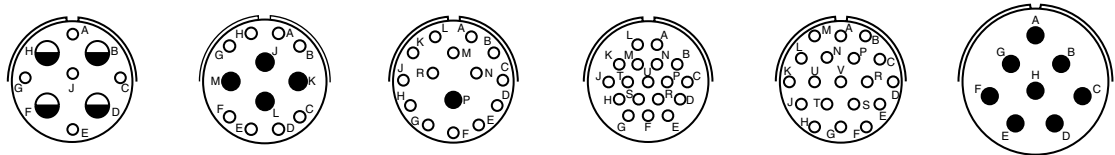
# MIL-DTL-26482, Series 2, Matrix®

## Insert Arrangements

Front face of pin insert or rear face of socket insert illustrated



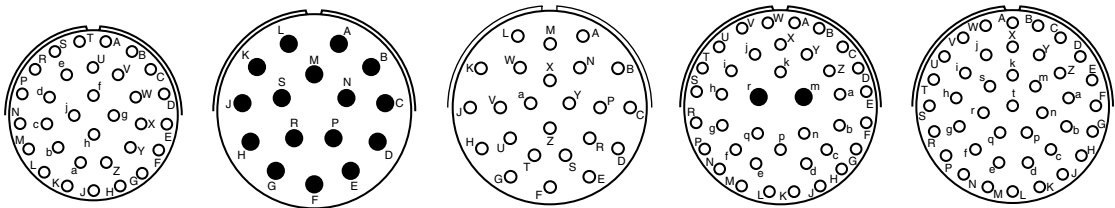
| Insert Arrangement | 8-33 | 8-98 | 10-06 | 12-03 | 12-08 | 12-10 | 14-04 | 14-05 |
|--------------------|------|------|-------|-------|-------|-------|-------|-------|
| Service Rating     | I    | I    | I     | II    | I     | I     | I     | II    |
| Number of Contacts | 3    | 3    | 6     | 3     | 8     | 10    | 4     | 5     |
| Contact Size       | 20   | 20   | 20    | 16    | 20    | 20    | 12    | 16    |



| Insert Arrangement | 14-09 |    | 14-12 |    | 14-15 |    | 14-18 |    | 14-19 |    | 16-08 |  |
|--------------------|-------|----|-------|----|-------|----|-------|----|-------|----|-------|--|
| Service Rating     | I     |    | I     |    | I     |    | I     |    | I     |    | II    |  |
| Number of Contacts | 5     | 4  | 8     | 4  | 14    | 1  | 18    | 18 | 19    | 19 | 8     |  |
| Contact Size       | 20    | 12 | 20    | 16 | 20    | 16 | 20    | 20 | 20    | 20 | 16    |  |



| Insert Arrangement | 16-23 |    | 16-26 |    | 18-08 |    | 18-11 |    | 18-30 |    |
|--------------------|-------|----|-------|----|-------|----|-------|----|-------|----|
| Service Rating     | I     |    | I     |    | I     |    | II    |    | I     |    |
| Number of Contacts | 22    | 1  | 26    | 26 | 8     | 8  | 11    | 11 | 29    | 1  |
| Contact Size       | 20    | 16 | 20    | 20 | 12    | 12 | 16    | 16 | 20    | 16 |



| Insert Arrangement | 18-32 |    | 20-16 |    | 20-24 |    | 20-39 |    | 20-41 |    |
|--------------------|-------|----|-------|----|-------|----|-------|----|-------|----|
| Service Rating     | I     |    | II    |    | I     |    | I     |    | I     |    |
| Number of Contacts | 32    | 32 | 16    | 16 | 24    | 24 | 37    | 2  | 41    | 41 |
| Contact Size       | 20    | 20 | 16    | 16 | 20    | 20 | 20    | 16 | 20    | 20 |

NOTE: Connectors sold as mil-spec connectors will have mil-spec markings on the insert (a "snail-trail" designating the numerical path). Commercial versions will have insert markings as shown here.



38999

- III
- HD
- Dualok
- II
- I
- SJT
- Accessories
- Aquacon
- Herm/Seal
- PCB

- HIGH SPEED
- Fiber Optics
- Contacts
- Connectors
- Cables

EMI Filter  
Transient

26482  
Matrix 2

83723 III  
Matrix | Pyle

26500  
Pyle

5015  
Crmp Rear  
Release  
Matrix

22992  
Class I

Back-  
Shells

Options  
Others

Front face of pin insert or rear face of socket insert illustrated

38999

- III
- HD
- Dualok
- II
- I
- SJT
- Accessories
- Aquacon
- Herm/Seal
- PCB

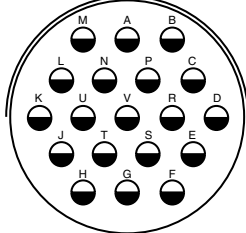
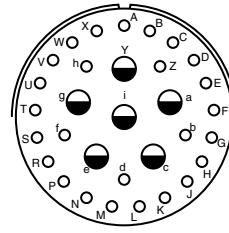
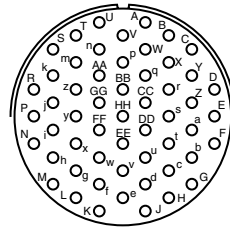
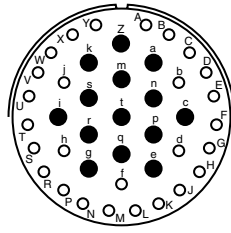


| Insert Arrangement | 22-12 | 22-19 | 22-21 | 22-32 |
|--------------------|-------|-------|-------|-------|
| Service Rating     | I     | I     | II    | I     |
| Number of Contacts | 12    | 19    | 21    | 32    |
| Contact Size       | 12    | 12    | 16    | 20    |

HIGH SPEED

- Fiber Optics
- Contacts Connectors Cables

EMI Filter Transient



| Insert Arrangement | 22-41    | 22-55 | 22-95    | 24-19 |
|--------------------|----------|-------|----------|-------|
| Service Rating     | I        | I     | I        | II    |
| Number of Contacts | 27    14 | 55    | 26    6  | 19    |
| Contact Size       | 20    16 | 20    | 20    12 | 12    |

26482 Matrix 2

83723 III Matrix | Pyle

26500 Pyle

5015 Crimp Rear Release Matrix

22992 Class I



| Insert Arrangement | 24-31 | 24-61 |
|--------------------|-------|-------|
| Service Rating     | I     | I     |
| Number of Contacts | 31    | 61    |
| Contact Size       | 16    | 20    |

Back-Shells

Options Others

NOTE: Connectors sold as mil-spec connectors will have mil-spec markings on the insert (a "snail-trail" designating the numerical path). Commercial versions will have insert markings as shown here.



### CLASS DESCRIPTIONS

| Military MIL-DTL-26482, Series 2 | Amphenol/Matrix Commercial MB1 Series | Description   |
|----------------------------------|---------------------------------------|---|
| Class L                          | Class R                               | Aluminum shell, electroless nickel finish, fluid resistant            |
| Class E                          | –                                     | Inactive, superceded by Class L*                                      |
| Class R                          | –                                     | Inactive, superceded by Class L*                                      |
| Class A                          | Class A                               | Aluminum shell, black non-conductive anodized finish, fluid resistant |
| –                                | Class G                               | Stainless steel shell, passivated, fluid resistant                    |
| Class W                          | Class W                               | Aluminum shell, olive drab cadmium plated, corrosion/fluid resistant  |

\* Ref. MIL-DTL-26482

### PERFORMANCE SPECIFICATIONS

#### SERVICE RATINGS\*\*

| Service Rating | Recommended Operating AC Voltage at Sea Level | Test Voltage AC (RMS), 60 cps |            |            |             |
|----------------|---|-------------------------------|------------|------------|-------------|
|                |   | Sea Level                     | 50,000 ft. | 70,000 ft. | 110,000 ft. |
| I              | 600   | 1,500                         | 500        | 375        | 200         |
| II             | 1,000   | 2,300                         | 750        | 500        | 200         |

\*\* Service Rating is comparable to MS rating A. Miniature connectors rated Service Rating I will provide a minimum flashover voltage at sea level of 2,000 volts AC (RMS). Service Rating II is comparable to MS Service Rating D, and will provide a minimum flashover voltage of 2,800 volts AC (RMS) at sea level.

Please note that the electrical data given is not an establishment of electrical safety factors. This is left entirely in the designer's hands, as he can best determine which peak voltage, switching surges, transients, etc. can be expected in a particular circuit.

### OPERATING TEMPERATURE RANGE

–65°C (–85°F) to 200°C (392°F)

### ENVIRONMENTAL SEAL

Wired, mated connectors with the specified accessory attached will meet the altitude immersion test specified in MIL-DTL-26482.

### DURABILITY

Minimum of 500 mating cycles.

### SHOCK AND VIBRATION REQUIREMENTS

When tested as follows, the connector shall sustain no physical damage, or electrical discontinuity exceeding one microsecond.

#### SHOCK:

Pulse of an approximate half sine wave of 300g magnitude with duration of 3 milliseconds applied in three axes.

#### VIBRATION:

Sixteen hours of random vibration having a range of 50 to 2,000 Hz with a 41.7G peak level.

38999

III

HD

Dualok

II

I

SJT

Accessories

Aquacon

Herm/Seal

PCB

HIGH SPEED

Fiber Optics

Contacts Connectors Cables

EMI Filter Transient

26482 Matrix 2

83723 III Matrix | Pyle

26500 Pyle

5015 Crimp Rear Release Matrix

22992 Class I

Back-Shells

Options Others

1. 2. 3. 4. 5. 6. 7.

| MIL-DTL-26482, Series 2 | Connector Type | Connector Style | Service Class | Shell Size/Insert Arrangement | Contact Type | Alternate Rotation of Insert | Modification Number |
|-------------------------|----------------|-----------------|---------------|-------------------------------|--------------|------------------------------|---------------------|
| <b>MILITARY</b>         | <b>MS</b>      | <b>3470</b>     | <b>W</b>      | <b>12-10</b>                  | <b>P</b>     | <b>W</b>                     | <b>NA</b>           |
| <b>COMMERCIAL</b>       | <b>MB1</b>     | <b>0</b>        | <b>W</b>      | <b>12-10</b>                  | <b>P</b>     | <b>W</b>                     | <b>(xxx)</b>        |

### Step 1. Military Connector Type

|           |                              |
|-----------|------------------------------|
| <b>MS</b> | Designates Military Standard |
|-----------|------------------------------|

### Step 2. Select a Connector Style

|             | Designates                               |
|-------------|--|
| <b>3470</b> | Wall Mount Receptacle with Narrow Flange |
| <b>3472</b> | Wall Mount Receptacle with Wide Flange   |
| <b>3471</b> | Cable Connecting Receptacle              |
| <b>3474</b> | Jam Nut Receptacle                       |
| <b>3476</b> | Straight Plug                            |
| <b>3475</b> | Straight Plug with RFI Grounding Fingers |

### Step 3. Select a Service Class

|          | Designates   |
|----------|--|
| <b>L</b> | Aluminum shell, electroless nickel finish, fluid resistant insert            |
| <b>A</b> | Aluminum shell, black anodized finish, non-conductive fluid resistant insert |
| <b>W</b> | Aluminum shell, olive drab cadmium plated, fluid resistant insert            |

Note: For stainless steel shell, passivated, order by Amphenol®/Matrix® commercial Class G.  
Class L inactivates classes E and R (Ref. MIL-DTL-26482)

### Step 4. Select a Shell Size & Insert Arrangement from chart on page 334.

First number represents Shell Size, second number is the Insert Arrangement.

### Step 5. Select a Contact Type

|          | Designates      |
|----------|-----------------|
| <b>P</b> | Pin Contacts    |
| <b>S</b> | Socket Contacts |
| <b>A</b> | Less Pins       |
| <b>B</b> | Less Sockets    |

Use A & B only when other than a full complement of power contacts is to be installed.

### Step 6. Select an Alternate Rotation of Insert

“W”, “X”, “Y”, “Z” designate that insert is rotated in its shell from normal position. No letter required for normal (no rotation) position. See page 334 for description of alternate positions.

For ordering information on accessories, such as protection caps and backshell hardware, contact Amphenol Aerospace.

### Step 1. Commercial Connector Type

|            |   |
|------------|---|
| <b>MB1</b> | Designates Amphenol®/Matrix® Bayonet Coupling Connector |
|------------|---|

### Step 2. Select a Connector Style

|          | Designates                               |
|----------|--|
| <b>0</b> | Wall Mount Receptacle with Narrow Flange |
| <b>1</b> | Wall Mount Receptacle with Wide Flange   |
| <b>3</b> | Cable Connecting Receptacle              |
| <b>4</b> | Jam Nut Receptacle                       |
| <b>6</b> | Straight Plug                            |
| <b>8</b> | Straight Plug with RFI Grounding Fingers |

### Step 3. Select a Service Class

|           | Designates   |
|-----------|--|
| <b>A</b>  | Aluminum shell, black anodized finish, non-conductive, fluid resistant insert    |
| <b>B</b>  | Black zinc conductive plating. Must also add modification number (A15) in step 7 |
| <b>C</b>  | Green zinc cobalt plating. Must also add modification number (981) in step 7     |
| <b>R</b>  | Aluminum shell, electroless nickel finish, fluid resistant insert                |
| <b>G</b>  | Stainless steel shell, passivated, fluid resistant insert                        |
| <b>W</b>  | Aluminum shell, cadmium plated, olive drab finish, fluid resistant insert        |
| <b>DZ</b> | Black Zinc Nickel  |
| <b>DT</b> | Durmalon   |

### Step 4. Select a Shell Size & Insert Arrangement from chart on page 334.

First number represents Shell Size, second number is the Insert Arrangement.

### Step 5. Select a Contact Type

|          | Designates      |
|----------|-----------------|
| <b>P</b> | Pin Contacts    |
| <b>S</b> | Socket Contacts |

### Step 6. Select an Alternate Rotation of Insert

“W”, “X”, “Y”, “Z” designate that insert is rotated in its shell from normal position. No letter required for normal (no rotation) position. See page 334 for description of alternate positions.

### Step 7. Modification Number

Consult Amphenol Aerospace for information.

For strain reliefs use the following codes:

(189) E-nut M85049/31 configuration

(190) Straight strain relief M85049/52 configuration

(191) 90° strain relief M85049/51 configuration

(A15) Used with finish class B to designate conductive black zinc plating.

(981) Used with finish class C to designate green zinc cobalt plating.

38999

III

HD

Dualok

II

I

SJT

Accessories

Aquacon

Herm/Seal

PCB

HIGH SPEED

Fiber Optics

Contacts Connectors Cables

EMI Filter Transient

26482 Matrix 2

83723 III Matrix (Pyle)

26500 Pyle

5015 Crimp Rear Release Matrix

22992 Class L

Back-Shells

Options Others

# MS3470 (MB10) – MIL-DTL-26482, Series 2

## Wall Mounting Receptacle (with Narrow Flange)

### PART #

\*To complete, see how to order page 338.

|                   | Connector Type | Shell Style | Shell Size & Insert Arrg | Contact Type | Alternate Rotation of Insert | Modification Number |
|-------------------|----------------|-------------|--------------------------|--------------|------------------------------|---------------------|
| <b>Military</b>   | <b>MS</b>      | <b>3470</b> | X                        | X-X          | X                            | NA                  |
| <b>Commercial</b> | <b>MB1</b>     | <b>0</b>    | X                        | X-X          | X                            | (XXX)               |

**MS3470  
MB10**



| Shell Size | A Max. | B ±.005 | C Dia. ±.003 | D Dia. Max. | E         | F ±.016 | H Accessory Thread Class 2A | T Dia. ±.005 |
|------------|--------|---------|--------------|-------------|-----------|---------|-----------------------------|--------------|
| 8          | .828   | .594    | .471         | .305        | .462/.431 | .062    | .5000-20 UNF                | .120         |
| 10         | .954   | .719    | .588         | .405        | .462/.431 | .062    | .6250-24 UNEF               | .120         |
| 12         | 1.047  | .812    | .748         | .531        | .462/.431 | .062    | .7500-20 UNEF               | .120         |
| 14         | 1.141  | .906    | .873         | .665        | .462/.431 | .062    | .8750-20 UNEF               | .120         |
| 16         | 1.234  | .969    | .998         | .790        | .462/.431 | .062    | 1.0000-20 UNEF              | .120         |
| 18         | 1.328  | 1.062   | 1.123        | .869        | .462/.431 | .062    | 1.0625-18 UNEF              | .120         |
| 20         | 1.453  | 1.156   | 1.248        | .994        | .587/.556 | .094    | 1.1875-18 UNEF              | .120         |
| 22         | 1.578  | 1.250   | 1.373        | 1.119       | .587/.556 | .094    | 1.3125-18 UNEF              | .120         |
| 24         | 1.703  | 1.375   | 1.498        | 1.244       | .620/.589 | .094    | 1.4375-18 UNEF              | .147         |

All dimensions for reference only.

# MS3472 (MB11) – MIL-DTL-26482, Series 2

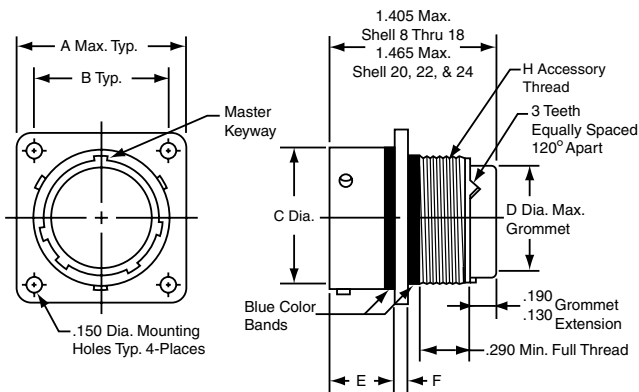
## Wall Mounting Receptacle (with Wide Flange)

### PART #

\*To complete, see how to order page 338.

|                   | Connector Type | Shell Style | Service Class | Shell Size & Insert Arrg | Contact Type | Alternate Rotation of Insert | Modification Number |
|-------------------|----------------|-------------|---------------|--------------------------|--------------|------------------------------|---------------------|
| <b>Military</b>   | <b>MS</b>      | <b>3472</b> | X             | X-X                      | X            | X                            | NA                  |
| <b>Commercial</b> | <b>MB1</b>     | <b>1</b>    | X             | X-X                      | X            | X                            | (XXX)               |

**MS3472  
MB11**



| Shell Size | A Max. | B ±.005 | C Dia. ±.003 | D Dia. Max. | E         | F ±.016 | H Accessory Thread Class 2A | T Dia. ±.005 |
|------------|--------|---------|--------------|-------------|-----------|---------|-----------------------------|--------------|
| 8          | 1.065  | .734    | .471         | .305        | .493/.462 | .062    | .5000-20 UNF                | .120         |
| 10         | 1.141  | .812    | .588         | .405        | .493/.462 | .062    | .6250-24 UNEF               | .120         |
| 12         | 1.266  | .938    | .748         | .531        | .493/.462 | .062    | .7500-20 UNEF               | .120         |
| 14         | 1.360  | 1.031   | .873         | .665        | .493/.462 | .062    | .8750-20 UNEF               | .120         |
| 16         | 1.453  | 1.125   | .998         | .790        | .493/.462 | .062    | 1.0000-20 UNEF              | .120         |
| 18         | 1.532  | 1.203   | 1.123        | .869        | .493/.462 | .062    | 1.0625-18 UNEF              | .120         |
| 20         | 1.688  | 1.297   | 1.248        | .994        | .587/.556 | .094    | 1.1875-18 UNEF              | .120         |
| 22         | 1.766  | 1.375   | 1.373        | 1.119       | .587/.556 | .094    | 1.3125-18 UNEF              | .120         |
| 24         | 1.891  | 1.500   | 1.498        | 1.244       | .620/.589 | .094    | 1.4375-18 UNEF              | .147         |

All dimensions for reference only.

38999

- III
- HD
- Dualok
- II
- I
- SJT
- Accessories
- Aquacon
- Herm/Seal
- PCB

HIGH SPEED

- Fiber Optics
- Contacts
- Connectors
- Cables

EMI Filter  
Transient

26482  
Matrix 2

83723 III  
Matrix | Pyle

26500  
Pyle

5015  
Crimp Rear Release Matrix

22992  
Class 1

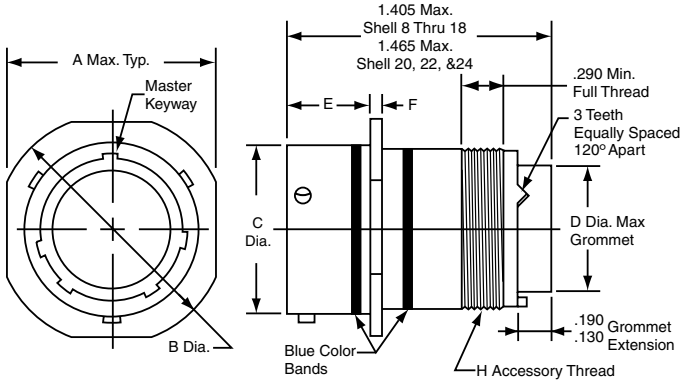
Back-Shell's

Options  
Others



38999

- III
- HD
- Dualok
- II
- I
- SJT
- Accessories
- Aquacon
- Herm/Seal
- PCB



**PART #**

\*To complete, see how to order page 338.

| Connector Type | Shell Style | Service Class | Shell Size & Insert Arrg | Contact Type | Alternate Rotation of Insert | Modification Number |       |
|----------------|-------------|---------------|--------------------------|--------------|------------------------------|---------------------|-------|
| Military       | MS          | 3471          | X                        | X-X          | X                            | X                   | NA    |
| Commercial     | MB1         | 3             | X                        | X-X          | X                            | X                   | (XXX) |

**MS3471**  
**MB13**

| Shell Size | A Max. | B Dia. ±.020 | C Dia. ±.003 | D Dia. Max. | E         | F ±.016 | H Accessory Thread Class 2A |
|------------|--------|--------------|--------------|-------------|-----------|---------|-----------------------------|
| 8          | .828   | .938         | .471         | .305        | .462/.431 | .062    | .5000-20 UNF                |
| 10         | .954   | 1.062        | .588         | .405        | .462/.431 | .062    | .6250-24 UNEF               |
| 12         | 1.047  | 1.156        | .748         | .531        | .462/.431 | .062    | .7500-20 UNEF               |
| 14         | 1.141  | 1.250        | .873         | .665        | .462/.431 | .062    | .8750-20 UNEF               |
| 16         | 1.234  | 1.344        | .998         | .790        | .462/.431 | .062    | 1.0000-20 UNEF              |
| 18         | 1.328  | 1.438        | 1.123        | .869        | .462/.431 | .062    | 1.0625-18 UNEF              |
| 20         | 1.453  | 1.562        | 1.248        | .994        | .587/.556 | .094    | 1.1875-18 UNEF              |
| 22         | 1.578  | 1.688        | 1.373        | 1.119       | .587/.556 | .094    | 1.3125-18 UNEF              |
| 24         | 1.703  | 1.812        | 1.498        | 1.244       | .620/.589 | .094    | 1.4375-18 UNEF              |

All dimensions for reference only.

HIGH SPEED

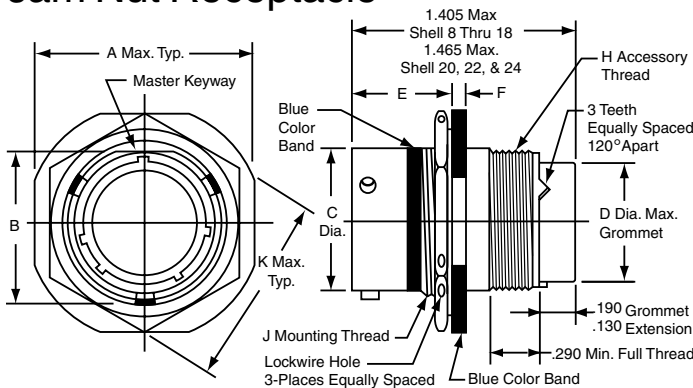
- Fiber Optics
- Contacts
- Connectors
- Cables

EMI Filter Transient

26482 Matrix 2

**MS3474 (MB14) – MIL-DTL-26482, Series 2**

Jam Nut Receptacle



**PART #**

\*To complete, see how to order page 338.

| Connector Type | Shell Style | Service Class | Shell Size & Insert Arrg | Contact Type | Alternate Rotation of Insert | Modification Number |       |
|----------------|-------------|---------------|--------------------------|--------------|------------------------------|---------------------|-------|
| Military       | MS          | 3474          | X                        | X-X          | X                            | X                   | NA    |
| Commercial     | MB1         | 4             | X                        | X-X          | X                            | X                   | (XXX) |

**MS3474**  
**MB14**

| Shell Size | A Max. | B ±.005 | C Dia. ±.003 | D Dia. Max. | E         | F         | H Accessory Thread Class 2A | J Mounting Thread Class 2A | K Max. |
|------------|--------|---------|--------------|-------------|-----------|-----------|-----------------------------|----------------------------|--------|
| 8          | .954   | .525    | .471         | .305        | .707/.658 | .113/.086 | .5000-20 UNF                | .5625-24 UNEF              | .767   |
| 10         | 1.078  | .650    | .588         | .405        | .707/.658 | .113/.086 | .6250-24 UNF                | .6875-24 UNEF              | .892   |
| 12         | 1.266  | .813    | .748         | .531        | .707/.658 | .113/.086 | .7500-20 UNEF               | .8750-20 UNEF              | 1.079  |
| 14         | 1.391  | .937    | .873         | .665        | .707/.658 | .113/.086 | .8750-20 UNEF               | 1.0000-20 UNEF             | 1.205  |
| 16         | 1.516  | 1.061   | .998         | .790        | .707/.658 | .113/.086 | 1.0000-20 UNEF              | 1.1250-18 UNEF             | 1.329  |
| 18         | 1.641  | 1.186   | 1.123        | .869        | .707/.658 | .113/.086 | 1.0625-18 UNEF              | 1.2500-18 UNEF             | 1.455  |
| 20         | 1.828  | 1.311   | 1.248        | .994        | .772/.721 | .148/.096 | 1.1875-18 UNEF              | 1.3750-18 UNEF             | 1.579  |
| 22         | 1.954  | 1.436   | 1.373        | 1.119       | .772/.721 | .148/.096 | 1.3125-18 UNEF              | 1.5000-18 UNEF             | 1.705  |
| 24         | 2.078  | 1.561   | 1.498        | 1.244       | .772/.721 | .148/.096 | 1.4375-18 UNEF              | 1.6250-18 UNEF             | 1.829  |

All dimensions for reference only.

22992 Class 1

Back-Shells

Options Others

5015 Crimp Rear Release Matrix

26500 Pyle

83723 III Matrix (Pyle)

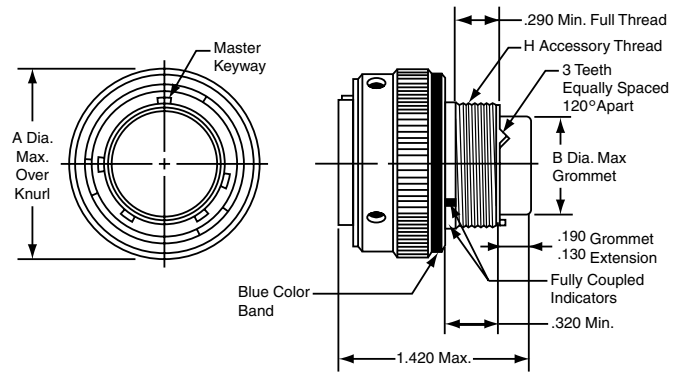
# MS3476 (MB16) – MIL-DTL-26482, Series 2 Straight Plug

## PART #

\*To complete, see how to order page 338.

|                   | Connector Type | Shell Style | Service Class | Shell Size & Insert Arrg | Contact Type | Alternate Rotation of Insert | Modification Number |
|-------------------|----------------|-------------|---------------|--------------------------|--------------|------------------------------|---------------------|
| <b>Military</b>   | <b>MS</b>      | <b>3476</b> | X             | X-X                      | X            | X                            | NA                  |
| <b>Commercial</b> | <b>MB1</b>     | <b>6</b>    | X             | X-X                      | X            | X                            | (XXX)               |

**MS3476  
MB16**



| Shell Size | A Dia. Max. | B Dia. Max. | H Accessory Thread Class 2A |
|------------|-------------|-------------|-----------------------------|
| 8          | .782        | .305        | .5000-20 UNF                |
| 10         | .926        | .405        | .6250-24 UNEF               |
| 12         | 1.043       | .531        | .7500-20 UNEF               |
| 14         | 1.183       | .665        | .8750-20 UNEF               |
| 16         | 1.305       | .790        | 1.0000-20 UNEF              |
| 18         | 1.391       | .869        | 1.0625-18 UNEF              |
| 20         | 1.531       | .994        | 1.1875-18 UNEF              |
| 22         | 1.656       | 1.119       | 1.3125-18 UNEF              |
| 24         | 1.777       | 1.244       | 1.4375-18 UNEF              |

All dimensions for reference only.

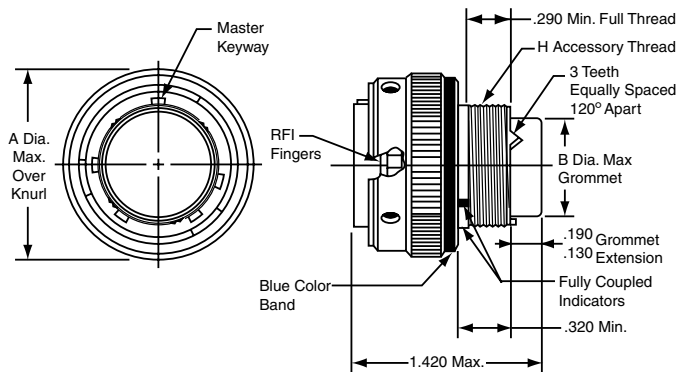
# MS3475 (MB18) – MIL-DTL-26482, Series 2 Straight Plug (With RFI Grounding Fingers)

## PART #

\*To complete, see how to order page 338.

|                   | Connector Type | Shell Style | Service Class | Shell Size & Insert Arrg | Contact Type | Alternate Rotation of Insert | Modification Number |
|-------------------|----------------|-------------|---------------|--------------------------|--------------|------------------------------|---------------------|
| <b>Military</b>   | <b>MS</b>      | <b>3475</b> | X             | X-X                      | X            | X                            | NA                  |
| <b>Commercial</b> | <b>MB1</b>     | <b>8</b>    | X             | X-X                      | X            | X                            | (XXX)               |

**MS3475  
MB18**



| Shell Size | A Dia. Max. | B Dia. Max. | H Accessory Thread Class 2A |
|------------|-------------|-------------|-----------------------------|
| 8          | .782        | .305        | .5000-20 UNF                |
| 10         | .926        | .405        | .6250-24 UNEF               |
| 12         | 1.043       | .531        | .7500-20 UNEF               |
| 14         | 1.183       | .665        | .8750-20 UNEF               |
| 16         | 1.305       | .790        | 1.0000-20 UNEF              |
| 18         | 1.391       | .869        | 1.0625-18 UNEF              |
| 20         | 1.531       | .994        | 1.1875-18 UNEF              |
| 22         | 1.656       | 1.119       | 1.3125-18 UNEF              |
| 24         | 1.777       | 1.244       | 1.4375-18 UNEF              |

All dimensions for reference only.

38999

- III
- HD
- Dualok
- II
- I
- SJT
- Accessories
- Aquacon
- Herm/Seal
- PCB

- HIGH SPEED
- Fiber Optics
- Contacts Connectors Cables

EMI Filter  
Transient

26482  
Matrix 2

83723 III  
Matrix | Pyle

26500  
Pyle

5015  
Crmp Rear Release Matrix

22992  
Class 1

Back-Shell's

Options  
Others

38999

III  
HD  
Duallok  
II  
I  
SJT  
Accessories  
Aquacon  
Herm/Seal  
PCB

**MIL-DTL-26482, SERIES 2  
CRIMP CONTACTS**

| Contact Size | Wire Range |                 | Socket Contacts      |                             | Pin Contacts         |                             |
|--------------|------------|-----------------|----------------------|-----------------------------|----------------------|-----------------------------|
|              | AWG        | mm <sup>2</sup> | Military Part Number | Amphenol/Matrix Part Number | Military Part Number | Amphenol/Matrix Part Number |
| 20           | 24-20      | 0.2-0.6         | M39029/5-115         | M5100-001-0020L             | M39029/4-110         | M5000-054-0020L             |
| 16           | 20-16      | 0.5-1.4         | M39029/5-116         | M5100-001-0016L             | M39029/4-111         | M5000-054-0016L             |
| 12           | 14-12      | 2-3             | M39029/5-118         | M5100-001-0012L             | M39029/4-113         | M5000-054-0012L             |

HIGH SPEED  
Fiber Optics  
Contacts  
Connectors  
Cables

**CONTACT CURRENT RATING AND RETENTION**

| Contact Size* | DC Test Amperage | Contact Retention |       |
|---------------|------------------|-------------------|-------|
|               |                  | Axial Load        |       |
|               |                  | lb.               | N     |
| 20            | 7.5              | 20                | 89.0  |
| 16            | 13.0             | 25                | 111.2 |
| 12            | 23.0             | 30                | 133.4 |

\* Organize individual circuits to maintain heat rise within operating temperature requirements.

**SEALING PLUGS**

| Contact Size | Sealing Plugs        |                             |
|--------------|----------------------|-----------------------------|
|              | Military Part Number | Amphenol/Matrix Part Number |
| 20           | MS27488-20-2         | 10-405996-202               |
| 16           | MS27488-16-2         | 10-405996-162               |
| 12           | MS27488-12-2         | 10-405996-122               |

EMI Filter  
Transient

26482  
Matrix 2

**CRIMPING TOOLS**

| Contact Size | Wire Range |                 | Finished Wire Dia. Range |           | Crimping Tool Part Number  | Turret or Positioner Part Number |
|--------------|------------|-----------------|--------------------------|-----------|----------------------------|----------------------------------|
|              | AWG        | mm <sup>2</sup> | Inch                     | mm        |                            |                                  |
| 20           | 24-20      | 0.2-0.6         | .040-.083                | 1.02-2.11 | M22520/1-01 or M22520/2-01 | M22520/1-02 or M22520/2-02       |
| 16           | 20-16      | 0.5-1.4         | .053-.103                | 1.34-2.62 | M22520/1-01                | M22520/1-02                      |
| 12           | 14-12      | 2-3             | .097-.158                | 2.46-4.01 | M22520/1-01                | M22520/1-02                      |

83723 III  
Matrix | Pyle

26500  
Pyle

**INSERTION/REMOVAL TOOLS**

| Contact Size | Color Code   | Military Part Number | Amphenol/Matrix Part Number |
|--------------|--------------|----------------------|-----------------------------|
| 20           | Red/White    | M81969/14-11         | 10-538988-201               |
| 16           | Blue/White   | M81969/14-03         | 10-538988-016               |
| 12           | Yellow/White | M81969/14-04         | 10-538988-012               |

5015  
Crimp Rear Release  
Matrix

22992  
Class I

Note: Each connector is furnished with contacts. One spare for inserts requiring 1 to 26 of each contact, two spares for inserts with more than 26 contacts, and a minimum of one sealing plug up to 15% of the number of contacts.

Back-  
Shells

**BACKSHELLS**

The section of this catalog called "Backshells" covers the backshells for MIL-DTL-26482 that are provided through Amphenol PCD. Please refer to this section for:

- Backshells for Connector Family "J", which includes MIL-DTL-26482 (Series II), MIL-DTL-5015 (MS3400), MIL-DTL-83723 (Series I & III).

Options  
Others

### Wire Stripping

1. Strip wire to required length. (See Figure at right). When using hot wire stripping do not wipe melted insulation material on wire strands; with mechanical strippers do not cut or nick strands.
  2. See Table 1 for proper finished outside wire dimensions.
  3. Twist strands together to form a firm bundle.
  4. Insert stripped wire into contact applying slight pressure until wire insulation butts against wire well. Check inspection hole to see that wire strands are visible. If there are strayed wire strands, entire wire end should be re-twisted.
- When wire is stripped and properly installed into contact, the next step is to crimp the wire inside the contact by using the proper crimping tool.



Stripping Dimensions

| Wire Size | A           |
|-----------|-------------|
| 20        | .188 (4.77) |
| 16        | .188 (4.77) |
| 12        | .188 (4.77) |

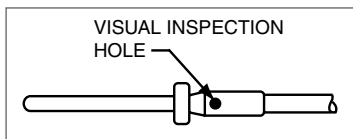
Table 1

| Contact Size | Wire Dimension (inches)** |      |
|--------------|---------------------------|------|
|              | Min.                      | Max. |
| 12           | .040                      | .083 |
| 16           | .053                      | .103 |
| 20           | .097                      | .153 |

### Crimping

See table on preceding page for recommended M22520 series crimping tools, turret head or positioner selection settings according to contact size, part number and wire gauge size.

1. Insert stripped wire into contact crimp pot. Wire must be visible through inspection hole.
2. Using correct crimp tool and locator, cycle the tool once to be sure the indentors are open, insert contact and wire into locator. Squeeze tool handles firmly and completely to insure a proper crimp. The tool will not release unless the crimp indentors in the tool head have been fully actuated.
3. Release crimped contact and wire from tool. Be certain the wire is visible through inspection hole in contact.



\*\* Min. diameters to ensure moisture proof assembly; max. diameters to permit use of metal removal tools.



Example M22520 Series Crimping Tool for size 20, 16 or 12 contacts, and has a positioner that can be dialed for each contact size.

### Contact Insertion

1. First remove hardware from the plug and receptacle and slide the hardware over wires in proper sequence.



2. Use proper plastic or metal insertion tool for corresponding contact. (Consult tool table on preceding page). Slide correct tool (with plastic tool use colored end) over wire insulation and slide forward until tool bottoms against rear contact shoulder.



Plastic tool with contact in proper position.



Metal tool with contact.

3. Next align the tool and contact up to the properly identified cavity at rear of connector plug. Use firm, even pressure; do not use excessive pressure. It is recommended to start at the center cavity. Contact must be aligned with grommet hole and not inserted at an angle. Push forward until contact is felt to snap into position within insert.



Note: All plastic tools are double-ended. The colored side is the insertion tool and the white side is the removal tool.

Continued on next page.

- III
- HD
- Dualok
- II
- I
- SJT
- Accessories
- Aquacon
- Herm/Seal
- PCB

- EMI Filter
- Transient
- 26482
- Matrix 2
- 83723 III
- Matrix | Pyle

- 26500
- Pyle
- 5015
- Crimp Rear Release Matrix
- 22992
- Class 1

- Back-Shell's
- Options
- Others

38999

- III
- HD
- Dualok
- II
- I
- SJT
- Accessories
- Aquacon
- Herm/Seal
- PCB

- HIGH SPEED**
- Fiber Optics
- Contacts
- Connectors
- Cables

EMI Filter  
Transient

26482  
Matrix 2

83723 III  
Matrix | Pyle

26500  
Pyle

5015  
Crimp Rear  
Release  
Matrix

22992  
Class I

Back-  
Shells

Options  
Others

**Contact Insertion, cont.**

4. Remove tool and pull back lightly on wire, making sure contact stays properly seated and isn't dragged back with the tool. Repeat operation with remainder of contacts to be inserted, beginning with the center cavity and working outward in alternating rows.



5. After all contacts are inserted, fill any empty cavities with wire sealing plugs. (Refer to sealing plug charts for Series III on page 18, for Series I, II, and SJT on page 19.)



6. Reassemble plug or receptacle hardware - slide forward and tighten using connector pliers. Connector holding tools are recommended while tightening back accessories. When using strain relief, center wires at bar clamp. Slide clamp grommet into position and tighten clamp bar screws. When tightening screws, pressure should be applied in the same direction that clamp is threaded to rear threads of connector. When not using clamp grommet, build up wire bundle with vinyl tape so clamp bar will maintain pressure on wires.



**CAUTION** when inserting or removing contacts, do not spread or rotate tool tips.

**Contact Removal**

1. Remove hardware from plug or receptacle and slide hardware back along wire bundle.



2. Use proper plastic or metal removal tool for corresponding contact. (Consult tool table on page 277). Slide correct size tool over wire insulation.



Use white end of plastic tool for removal of contacts.

3. Insert plastic or metal removal tool into contact cavity until tool tips enter rear grommet and come to a positive stop. Hold tool tip firmly against positive stop on contact shoulder. Grip wire and simultaneously remove tool and contact. (On occasion, it may be necessary to remove tool, rotate 90° and reinsert.)



Removal of contacts with metal tool.



## MIL-DTL-26482, Series 1 Connectors

There are several additional connector types within the Amphenol® MIL-DTL-26482 family. MIL-Spec and commercial versions are available with varying design characteristics and customer options to meet cost considerations and to provide users with the most design flexibility possible.

MIL-DTL-26482, Series 1 Circular connectors are shown in detail in Amphenol Industrial Operations' catalog 12-070, which can be supplied upon request or visit [www.amphenol-industrial.com](http://www.amphenol-industrial.com).

Briefly the MIL-DTL-26482 Series 1 circulars are described as follows:

### **PT, SP, MS/PT** **Commercial/MIL-DTL-26482, Series 1**

These are bayonet type with solder contacts. Both the insert and main joint gasket are molded from resilient neoprene. This provides excellent moisture sealing at the gasket and superior electrical isolation of the contact in the inserts.

Socket contacts are closed entry design. Printed circuit board contacts are also available in this series.

The SP is a modification of the PT providing special shells with a wide mounting flange for back panel mounting. The SP also has a durable non-conductive hard anodic "Alumilite" coating which provides abrasion and corrosion protection.

There are 8 shell styles in the PT, SP and MS/PT series, and shell sizes are 6-24. The PT solder is UL recognized. Hermetics are also available.

### **PT-SE, SP-SE, MS/PT-SE** **Commercial/MIL-DTL-26482, Series 1**

These are a derivative of the PT line, bayonet type. However, they incorporate crimp contacts that are rear insertable, front releasable. An MS approved spring tower retention system holds the contacts in place.

### **PT-CE, SP-CE** **Commercial crimp type**

Another derivative of the PT line, bayonet type. These also have crimp contacts that are rear insertable, front releasable, but the contacts are held in place by a nylon wafer retention system. The voidless one-piece insert and grommet assembly provide continuous dielectric separation between contacts.

### **PC, PC-SE, PC-CE** **Commercial solder and crimp type**

The PC series within the Amphenol® miniature circular family is threaded coupling, rather than bayonet coupling. The threads are double-stubbed so they can not be cross threaded.

The PC is offered with solder contacts. The PC-SE has crimp contacts in a spring tower retention system, while the PC-CE has crimp contacts in a nylon wafer retention system. Hermetics are available

All miniature circular are intermateable and intermountable with each other except for the threaded coupling PC Series.

For further information ask for catalog 12-070. Consult Amphenol Industrial Operations, Sidney, NY for any assistance on these products or for any specific application needs. See catalog 12-070 online at [www.amphenol-industrial.com](http://www.amphenol-industrial.com)

38999

|             |
|-------------|
| III         |
| HD          |
| Dualok      |
| II          |
| I           |
| SJT         |
| Accessories |
| Aquacon     |
| Herm/Seal   |
| PCB         |

|                            |
|----------------------------|
| HIGH SPEED                 |
| Fiber Optics               |
| Contacts Connectors Cables |

EMI Filter  
Transient

26482  
Matrix 2

83723 III  
Matrix | Pyle

26500  
Pyle

5015  
Crimp Rear Release Matrix

22992  
Class 1

Back-Shell's

Options  
Others

# Mouser Electronics

Authorized Distributor

Click to View Pricing, Inventory, Delivery & Lifecycle Information:

## Amphenol:

[MB10R20-16P](#) [MS3476W20-41S-USB4](#) [MS3470A14-4A](#) [MS3476L12-3S-U](#) [MS3476L12-3SY-LC](#) [MS3475W20-16P-LC](#) [MS3472W18-32S-LC](#) [MS3474W18-32SX](#) [MS3474W12-3S-LC](#) [MS3474W18-32P-LC](#) [MS3474W18-32SW-LC](#) [MB16R10-6S](#) [MB16G1405P](#) [MB16W1832S](#) [MS3476L18-8P-UWSB4](#) [MB10B14-19SW-A15](#) [MS3475L14-5SW-US](#) [MS3476L14-5AW](#) [MB16L16-26S-LC](#) [MS3476W18-32SY-CGE21MSA](#) [MB16R18-32S](#) [MS3476W18-32S-USSB4](#) [MB10B833S-A15-LC](#) [MB16B20-41P-A15-LC](#) [MB16G8-33S](#) [MB16R16-26P-985](#) [MB16R16-26S](#) [MS3476L16-26A-CGMSA](#) [MB16W1832SW](#) [MS3476L16-26P-UHST3](#) [MB16W18-32S-CG](#) [MB16B833P-A15-LC](#) [MS3476L16-8S-USSB4](#) [MS3476L16-26P-U](#) [MS3470W12-3S-USHBSB2](#) [MS3476W16-26S-CG](#) [MS3476L20-16P-CGMSA](#) [MB10B14-19S-A15](#) [MB10R18-32S](#) [MB16B20-39P-A15-LC](#) [MS3476W16-8SW-UWRHSB2](#) [MB16R16-26P](#) [MS3474W14-5P-UBSB2](#) [MS3474W14-5P-USBSB2](#) [MS3474W14-5P-USSB3](#) [MS3476W14-5P-USBSB2](#) [MS3474A14-5P](#) [MS3476L18-32P-U](#) [MS3474W14-5PW-LC](#) [MS3474L14-5A](#) [MS3474W14-5P-CGCA12](#) [MS3476W22-55P-USSB5](#) [MS3476L14-5P-CGMSA](#) [MS3475W12-3S-UWBSB2](#) [MS3474W16-26P-USBSB3](#) [MS3476W20-16A](#) [MS3476L20-41B](#) [MS3471W14-5PW](#) [MS3476L16-8BW](#) [MS3474W14-5PW](#) [MB16B14-19SA15](#) [MB14W18-8P](#) [MB16W16-8S-CG](#) [MS3471W12-10S-CGMSS1](#) [MS3476W16-26S-USSB3](#) [MS3470A14-5P-LC](#) [MS3475L12-3S-U](#) [MS3476L12-3S-CGMSR](#) [MS3476L22-41P-USSB5](#) [MS3476W12-3SW](#) [MS3476L12-3SX-LC](#) [MB16B14-19SA15-UWHST3](#) [MS3475L16-26PZ](#) [MS3476W16-23SW](#) [MS3475L16-23S](#) [MS3475L16-8SW](#) [MS3475L12-3S-LC](#) [MS3475L12-3S-CGMSS2](#) [MS3476W16-8S-US](#) [MS3474L22-41S-USSB5](#) [MS3476W22-41S-USSB5](#) [MS3475W18-32B](#) [MS3471L12-3SY](#) [MS3476W12-10A](#) [MS3476L20-16P-USB4](#) [MS3476W12-3S-US](#) [MS3476L22-41S-USSB5](#) [MB16R2016P190](#) [MB18W12-3S](#) [MS3476W16-26P-U](#) [MS3474W14-12SX-LC](#) [MS3474W14-5P-LC](#) [MS3474W14-5PX](#) [MS3474W14-5PX-LC](#) [MS3475L16-26SX](#) [MS3476L22-55S-UWSB5](#) [MS3472W12-3S](#) [MS3474L12-3SY](#) [MS3471L18-32SX](#) [MS3476W20-16AW](#)