

10/100BASE-TX TRANSFORMER MODULES

For Auto MDI/MDIX Applications



- ⊕ Symmetrical TX and RX channels for auto MDI/MDIX capability
- ⊕ Approved for use with the Broadcom BCM5226 and Level One LXT9784
- ⊕ Compliant with IEEE 802.3u and ANSI X3.263 standards including 350 μ H OCL with 8 mA bias
- ⊕ Designed for reflow soldering at temperatures up to 235°C

Electrical Specifications @ 25°C — Operating Temperature 0°C to 70°C

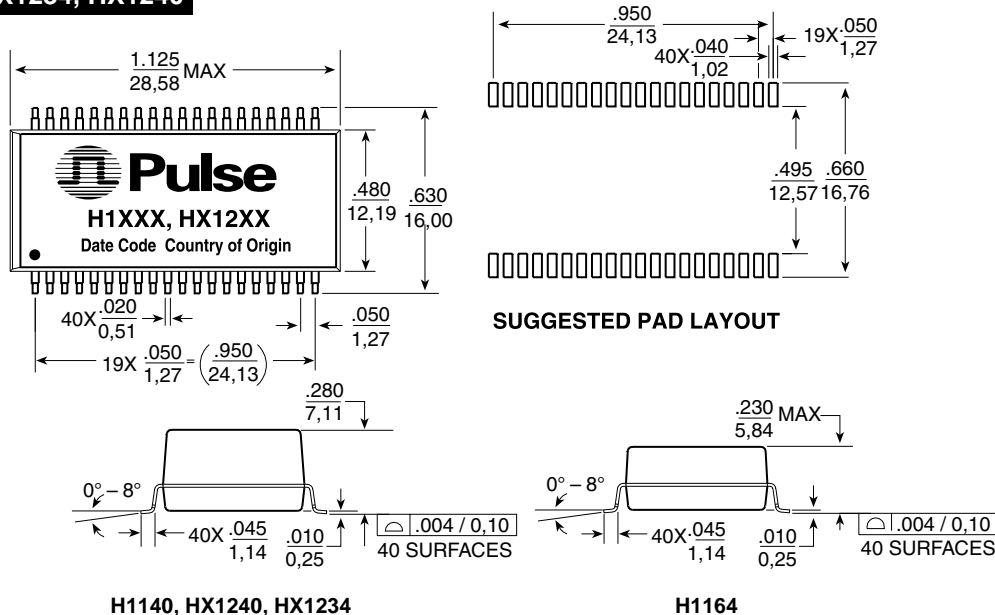
Part Number	Insertion Loss (MAX)	Return Loss (dB MIN)				Crosstalk (dB MIN)				Differential to Common Mode Rejection (dB MIN)		Hipot (Vrms MIN)
		0.1-100 MHz	2-30 MHz	40 MHz	50 MHz	60-80 MHz	1 KHz	30 MHz	60 MHz	100 MHz	1-60 MHz	
H1140	-1.0	-18	-14.4	-13.1	-12	-65	-50	-40	-35	-40	-35	1500
H1141	-1.0	-18	-14.4	-13.1	-12	-65	-50	-40	-35	-40	-35	1500
H1164	-1.0	-18	-14.4	-13.1	-12	-55	-45	-40	-33	-37	-25	1500
HX1234 ¹	-1.4	-18	-14.4	-13.1	-12	-55	-45	-40	-33	-37	-25	1500
HX1240 ¹	-1.0	-16.5	-16	-15.5	-12	-60	-43	-38	-33	-43	-27	1500

1. Operating Temperature -40°C to +85°C

NOTES: Transfer molding material is UL-94V0 flammability rated.

Mechanicals

H1140, H1164, HX1234, HX1240



H1140, HX1240, HX1234

H1164

Dimensions: $\frac{\text{Inches}}{\text{mm}}$

Unless otherwise specified, all tolerances are $\pm \frac{.010}{.025}$

Weight 4.8 grams
Tape & Reel250/reel
Tube15/tube

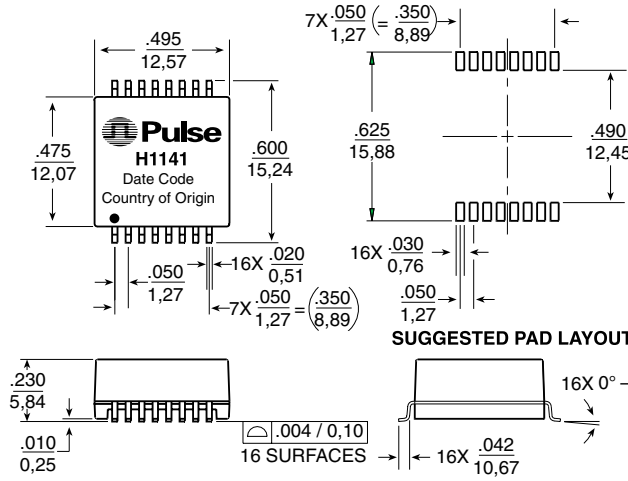
10/100BASE-TX TRANSFORMER MODULES

For Auto MDI/MDIX Applications



Mechanicals (continued)

H1141

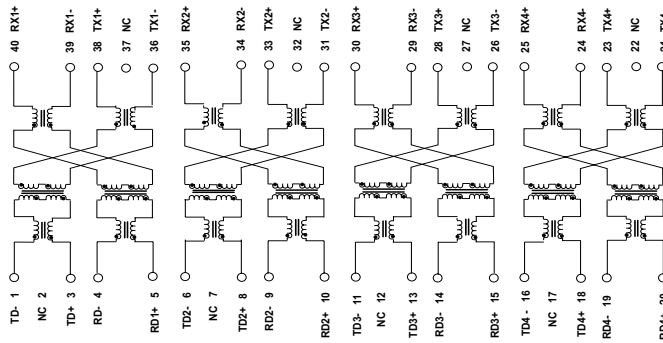


Weight1 gram
Tape & Reel350/reel
Tube35/tube

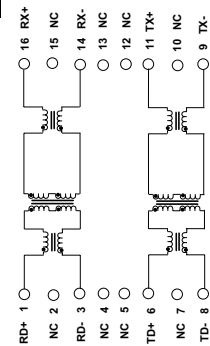
Dimensions: $\frac{\text{Inches}}{\text{mm}}$
Unless otherwise specified, all tolerances are $\pm \frac{.010}{0,25}$

Schematics

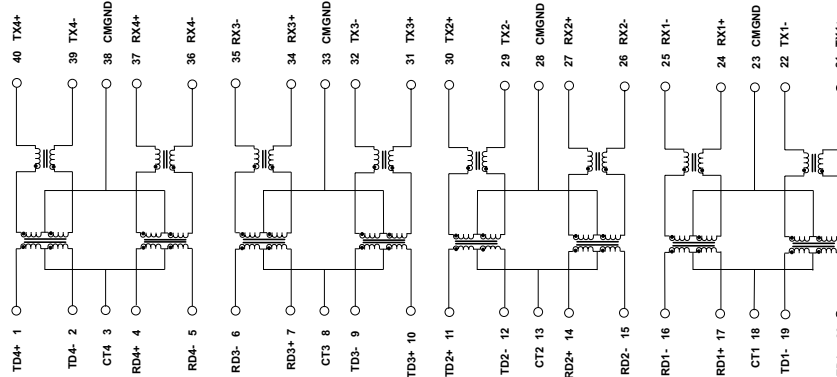
H1140, HX1240



H1141



H1164, HX1234



For More Information :

**UNITED STATES
(Worldwide)**

12220 World Trade Drive
San Diego, CA 92128
U.S.A.
<http://www.pulseeng.com>
TEL: 858 674 8100
FAX: 858 674 8262

**UNITED KINGDOM
(Northern Europe)**

1 & 2 Huxley Road
The Surrey Research Park
Guildford, Surrey GU2 5RE
United Kingdom
TEL: 44 1483 401700
FAX: 44 1483 401701

**FRANCE
(Southern Europe)**

Zone Industrielle
F-39270
Orgelet
France
TEL: 33 3 84 35 04 04
FAX: 33 3 84 25 46 41

**SINGAPORE
(Southern Asia)**

150 Kampong Ampat
#07-01/02
KA Centre
Singapore 368324
TEL: 65 287 8998
FAX: 65 280 0080

**TAIWAN, R.O.C.
(Northern Asia)**

3F-4, No. 81, Sec. 1
HsinTai Wu Road
Hsi-Chih, Taipei Hsien
Taiwan, R.O.C.
Tel: 886 2 2698 0228
FAX: 886 2 2698 0948

**HONG KONG
(China/Hong Kong)**

19/F, China United Plaza
1008 Tai Nan West Street
Cheung Sha Wan, Kowloon
Hong Kong, China
TEL: 852 2788 6588
FAX: 852 2776 1055

DISTRIBUTOR

Performance warranty of products offered on this data sheet is limited to the parameters specified. Data is subject to change without notice. Other brand and product names mentioned herein may be trademarks or registered trademarks of their respective owners.

Printed on recycled paper. ©2002, Pulse Engineering, Inc.