



Micro Commercial Components



Micro Commercial Components
20736 Marilla Street Chatsworth
CA 91311
Phone: (818) 701-4933
Fax: (818) 701-4939

SAC5.0
THRU
SAC50

Features

- Lead Free Finish/Rohs Compliant (Note1) ("P" Suffix designates Compliant. See ordering information)
Glass Passivated Junction
Excellent Clamping Capability
Epoxy meets UL 94 V-0 flammability rating
Moisture Sensitivity Level 1
UL Recognized File # E331408

500W Low
Capacitance Transient
Voltage Suppressor

Mechanical Data

- Weight : 0.4g

Maximum Ratings

Table with 4 columns: Symbol, Value, Units, and Description. Rows include Peak Pulse Power Dissipation, Steady State Power Dissipation, Peak Pulse Power Surge Current, Junction Temperature, and Storage Temperature Range.

NOTE: 1) High Temperature Solder Exemptions Applied, see EU Directive Annex 7.
2) Non-repetitive current pulse, per Fig.3 and derated above TA=25°C, per Fig.2

DO-15

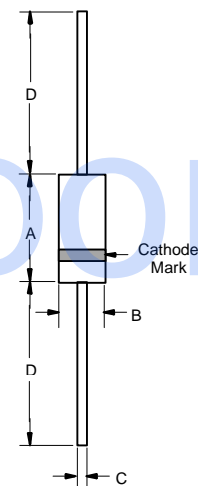


Table titled 'DIMENSIONS' with columns for DIM, INCHES (MIN, MAX), MM (MIN, MAX), and NOTE. It lists dimensions A, B, C, and D.

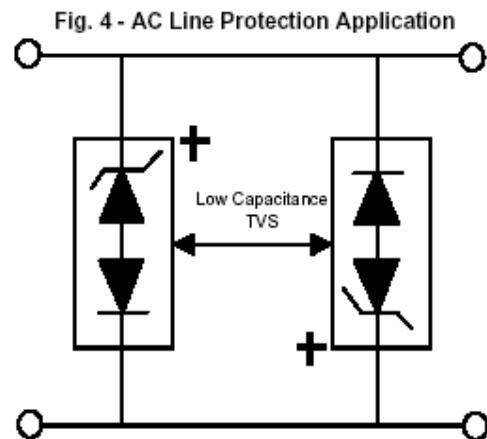
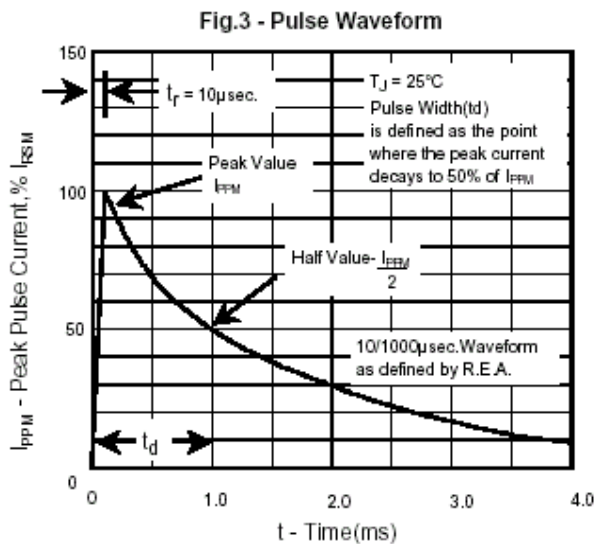
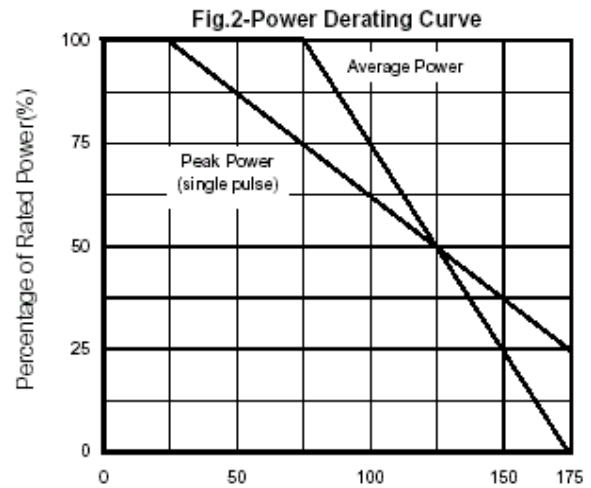
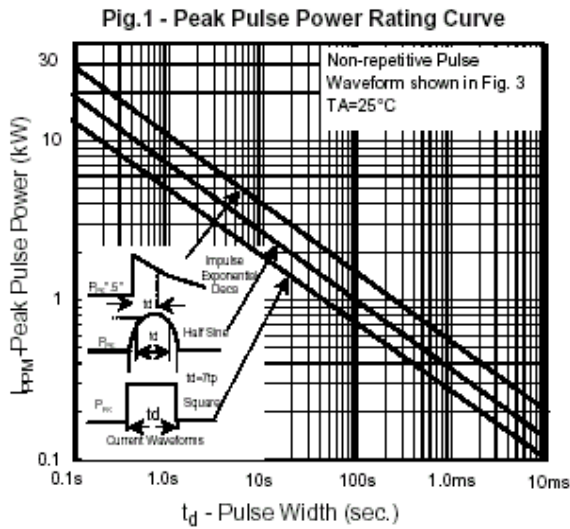
ELECTRICAL CHARACTERISTICS @25°C

| MCC PART NUMBER | STAND-OFF VOLTAGE (NOTE 1) V_{WM} V | MINIMUM BREAKDOWN VOLTAGE AT $I_T=1.0Ma$ $V_{(BR)}$ V | MAXIMUM REVERSE LEAKAGE AT V_{WM} IR μA | MAXIMUM CLAMPING VOLTAGE AT $I_{PP}=5.0A$ V_C V | MAXIMUM PEAK PULSE CURRENT PER FIG.3 IPP Amps | MAXIMUM JUNCTION CAPACITANCE AT 0 VOLTS pF | WORKING INVERSE BLOCKING VOLTAGE V_{WIB} V | PEAK INVERSE BLOCKING VOLTAGE V_{PIB} V |
|-----------------|---|---|--|---|---|---|--|---|
| SAC5.0 | 5.0 | 7.60 | 300 | 10.0 | 44.0 | 50 | 75 | 100 |
| SAC6.0 | 6.0 | 7.90 | 300 | 11.2 | 41.0 | 50 | 75 | 100 |
| SAC7.0 | 7.0 | 8.33 | 300 | 12.6 | 38.0 | 50 | 75 | 100 |
| SAC8.0 | 8.0 | 8.89 | 100 | 13.4 | 36.0 | 50 | 75 | 100 |
| SAC8.5 | 8.5 | 9.44 | 50 | 14.0 | 34.0 | 50 | 75 | 100 |
| SAC10 | 10.0 | 11.10 | 5 | 16.3 | 29.0 | 50 | 75 | 100 |
| SAC12 | 12.0 | 13.30 | 5 | 19.0 | 25.0 | 50 | 75 | 100 |
| SAC15 | 15.0 | 16.70 | 5 | 23.6 | 20.0 | 50 | 75 | 100 |
| SAC18 | 18.0 | 20.00 | 5 | 28.8 | 15.0 | 50 | 75 | 100 |
| SAC22 | 22.0 | 24.40 | 5 | 35.4 | 14.0 | 50 | 75 | 100 |
| SAC26 | 26.0 | 28.90 | 5 | 42.3 | 11.1 | 50 | 75 | 100 |
| SAC30 | 30.0 | 33.30 | 5 | 48.6 | 10.0 | 50 | 75 | 100 |
| SAC36 | 36.0 | 40.00 | 5 | 60.0 | 8.6 | 50 | 75 | 100 |
| SAC45 | 45.0 | 50.00 | 5 | 77.0 | 6.8 | 50 | 150 | 200 |
| SAC50 | 50.0 | 55.50 | 5 | 88.0 | 5.8 | 50 | 150 | 200 |

NOTE:

- 1) Non-repetitive current pulse, per Fig.3 and derated above $T_A=25^\circ C$, per Fig.2

Ratings and Characteristic Curves ($T_A=25^\circ\text{C}$ unless otherwise noted)



Application Note: Device must be used with two units in parallel, opposite in polarity as shown in circuit for AC signal line protection.



Micro Commercial Components

Ordering Information :

| Device | Packing |
|----------------|------------------------------|
| Part Number-TP | Tape&Reel: 4Kpcs/Reel |
| Part Number-AP | Ammo Packing: 3Kpcs/Ammo Box |
| Part Number-BP | Bulk: 25Kpcs/Carton |

*****IMPORTANT NOTICE*****

Micro Commercial Components Corp. reserves the right to make changes without further notice to any product herein to make corrections, modifications , enhancements , improvements , or other changes . **Micro Commercial Components Corp .** does not assume any liability arising out of the application or use of any product described herein; neither does it convey any license under its patent rights ,nor the rights of others . The user of products in such applications shall assume all risks of such use and will agree to hold **Micro Commercial Components Corp .** and all the companies whose products are represented on our website, harmless against all damages.

*****LIFE SUPPORT*****

MCC's products are not authorized for use as critical components in life support devices or systems without the express written approval of Micro Commercial Components Corporation.

*****CUSTOMER AWARENESS*****

Counterfeiting of semiconductor parts is a growing problem in the industry. Micro Commercial Components (MCC) is taking strong measures to protect ourselves and our customers from the proliferation of counterfeit parts. MCC strongly encourages customers to purchase MCC parts either directly from MCC or from Authorized MCC Distributors who are listed by country on our web page cited below. Products customers buy either from MCC directly or from Authorized MCC Distributors are genuine parts, have full traceability, meet MCC's quality standards for handling and storage. **MCC will not provide any warranty coverage or other assistance for parts bought from Unauthorized Sources.** MCC is committed to combat this global problem and encourage our customers to do their part in stopping this practice by buying direct or from authorized distributors.