

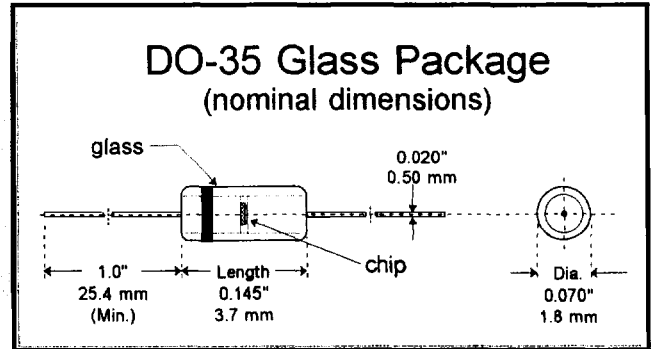
**DO-35 glass 0.4 Watt****1N746A  
thru  
1N759A****Zener Diodes**

## Applications

Used in general purpose regulation and protection, where space and surge capability are important.

## Features

- Six sigma quality
- Metallurgically bonded
- Full approval to Mil-S-19500/127
- Available up to JANTXV-1 levels
- BKC's Sigma Bond™ plating for problem free solderability
- (DO-213AA) MELF SMD available in Mil "UR" and (LL) commercial types
- "S" level screening available to Source Control Drawings



Absolute Maximum Ratings	Symbol	Value	Unit
Power Dissipation at 3/8" from the body, $T_L = 75^\circ\text{C}$	$P_{\text{tot}}$	0.5	Watt
Junction Temperature	$T_j$	200	$^\circ\text{C}$
Operating and Storage Temperature Range	$T_s$	-65 to +200	$^\circ\text{C}$

Characteristics at $T = 25^\circ\text{C}$	Symbol	Limit	Unit
Power derating at 3/8" from the body, $T_L = 75^\circ\text{C}$	$P_{\text{DR}}$	4.0 (Max)	mW/ $^\circ\text{C}$
Forward Voltage at $I_f = 200\text{ mA}$	$V_F$	1.1 (Max)	Volts

Type	Nominal Zener Voltage ( $V_Z$ ) @ $I_{ZT}$ Volts	Maximum Zener Impedance ( $Z_{ZT}$ ) @ $I_{ZT}$ Ohms	Test Current $I_{ZT}$ mA	Typical Temperature Coefficient %/ $^\circ\text{C}$	Maximum Leakage Current ( $I_L$ ) @ $V_R = 1\text{V}$ 25 $^\circ\text{C}$ 150 $^\circ\text{C}$ $\mu\text{A}$ $\mu\text{A}$		Maximum Regulator Current ( $I_{ZM}$ ) mA
1N746A	3.3	28	20	-0.062	10	30	110
1N747A	3.6	24	20	-0.055	10	30	100
1N748A	3.9	23	20	-0.049	10	30	95
1N749A	4.3	22	20	-0.036	2	30	85
1N750A	4.7	19	20	-0.018	2	30	75
1N751A	5.1	17	20	-0.008	1	20	70
1N752A	5.6	11	20	0.006	1	20	65
1N753A	6.2	7	20	0.022	0.1	20	60
1N754A	6.8	5	20	0.035	0.1	20	55
1N755A	7.5	6	20	0.045	0.1	20	50
1N756A	8.2	8	20	0.052	0.1	20	45
1N757A	9.1	10	20	0.056	0.1	20	40
1N758A	10.0	17	20	0.060	0.1	20	35
1N759A	12.0	30	20	0.060	0.1	20	30

Voltage tolerance is  $\pm 5\%$ . Non- suffix is  $\pm 10\%$  tolerance. Other tolerances and non-standard zener voltages, available upon request.

To order MIL types; add a JAN, JTX or JTXV prefix along with a -1 suffix to the type numbers listed above.

For LL-34/35 MELF (DO-213AA) surface mount package MIL types, precede the -1 suffix with "UR".

For Commercial MELF types, substitute an LL prefix in place of 1N.



6 Lake Street  
Lawrence, MA  
USA 01841

Telephone (508) 681-0392 • FAX (508) 681-9135

\*BKCSS022\*