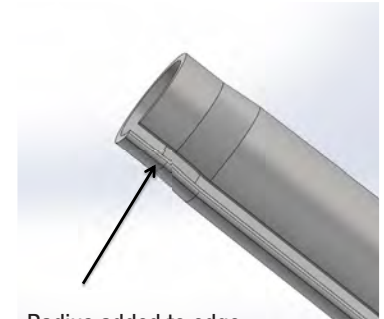


M81969/14

INSTALLING AND REMOVAL TOOLS



Radius added to edge to prevent wires from being cut

QPL APPROVED - 04344113.AA/11- 26- 13

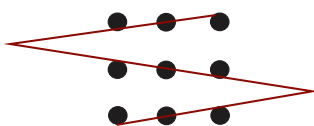
Part Number	Contact Size	Color Code	Installing Tip	Removal Tip
M81969/14-01 /1	22D, 22N	GREEN	GREEN	WHITE
M81969/14-03 /1	16	BLUE	BLUE	WHITE
M81969/14-04 /1	12	YELLOW	YELLOW	WHITE
M81969/14-06 /2	8	N/A	N/A	RED
M81969/14-07 /2	4	N/A	N/A	BLUE
M81969/14-08 /2	0	N/A	N/A	YELLOW
M81969/14-10 /1	20	RED	RED	ORANGE
M81969/14-11 /2	20	RED	RED	WHITE
M81969/14-12 /1	8	N/A	N/A	GREEN

/1 MIL-DTL-55302/68, /69, MIL-DTL-38999, MIL-DTL-24308 (SIZE 22D), MIL-DTL-83733 (SIZE 22D), AS81714 (SIZE 22D)

/2 MIL-DTL-26482 SERIES II, AS81703 SERIES III, MIL-DTL-83733 (EXCEPT 22D), MIL-DTL-83723 SERIES II & III, AS50151, AS81714 (EXCEPT 22D)

Step'n Components designs, manufactures and markets highly engineered products and systems principally for the aerospace and defense connector markets. Step'n Components has a long established role as a top supplier. We are known for design excellence and commitment to quality and reliability. Our products are used on thousands of aerospace, military, rail and high-end industrial applications worldwide in the most severe environments.

The M81969/14 is an all plastic insertion & removal tool designed for rear release connectors.



Step'n Components

17832 Gothard Street | Huntington Beach, CA 92647 | Phone: 714-362-3713

Fax: 714-362-3714 | Email: sales@stepnco.com | www.stepnco.com

