

**MICROSWITCH**  
a Honeywell Division

FED. MFG. CODE 91929

**SWITCH - TOGGLE**

**ITL889 SERIES CHART 1**

CATALOG LISTING

THIS DRAWING COVERS A PROPRIETARY ITEM AND IS THE PROPERTY OF MICRO SWITCH. A DIVISION OF HONEYWELL. THIS DRAWING IS NOT TO BE COPIED OR USED WITHOUT THE APPROVAL OF MICRO SWITCH

CATALOG LISTING  
**ITL889 SERIES CHART 1**

PAGE 1 OF 1

REPLACES  
RELEASE NO. PR-23679

ISSUE  
**4**

CHECK

REVISIONS

A	CO-95550	S A V	18 NOV 99
B	CO-94432	T S M	23 NOV 99

CHECK

CHECK

18 NOV 99

JAF

CHECK

18 NOV 99

CHECK

18 NOV 99

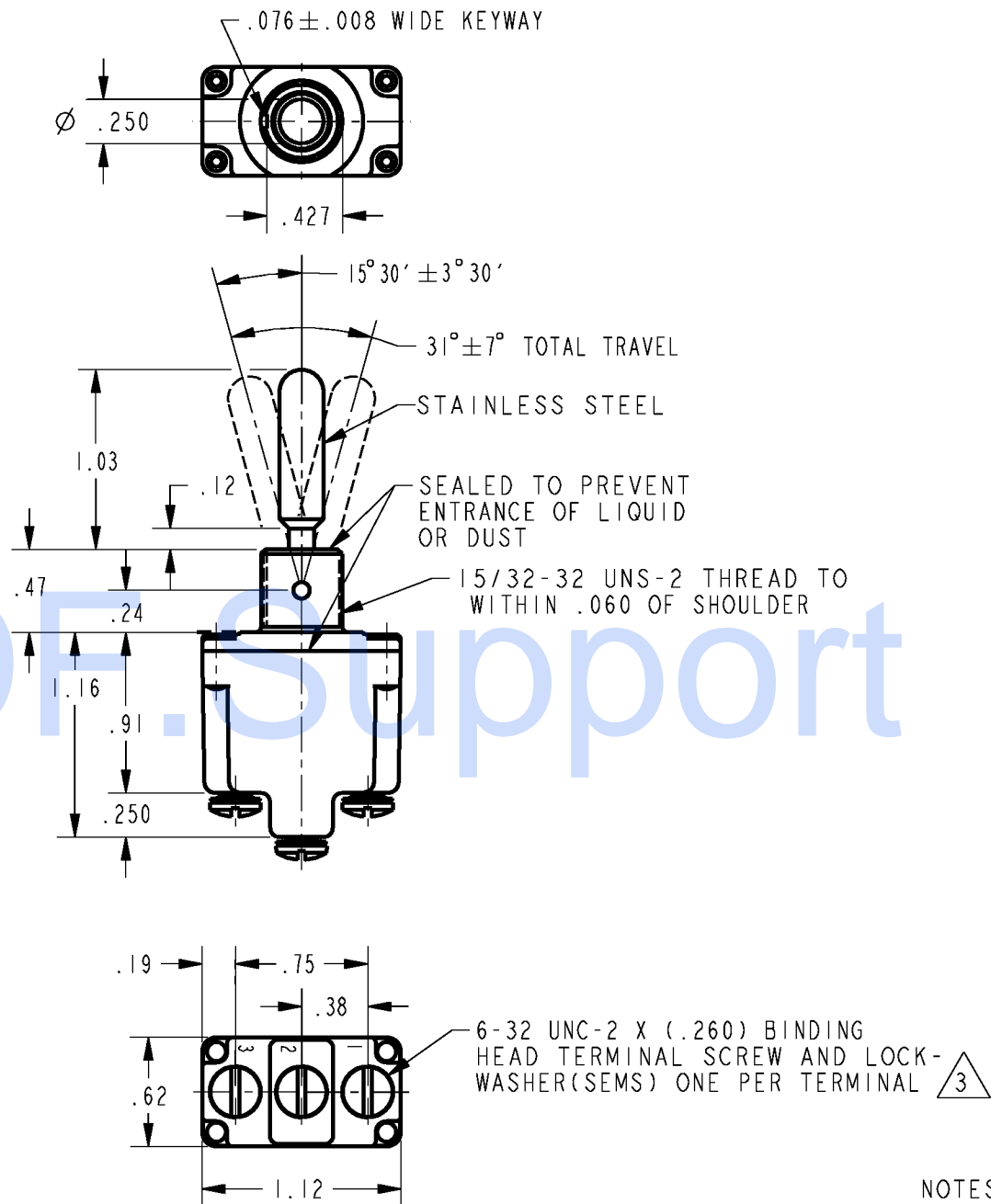
CHECK

18 NOV 99

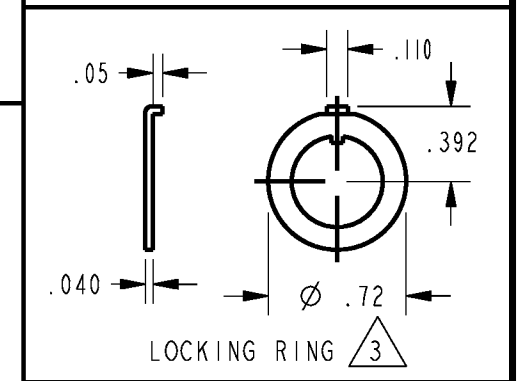
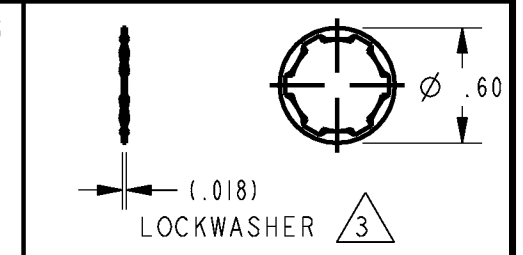
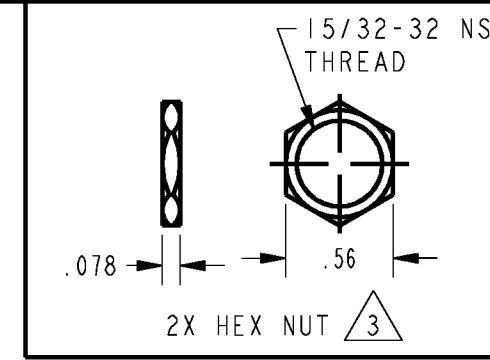
PTC/CAD 2D

DRAWN

S A V



CATALOG LISTING	CIRCUIT MADE WITH TOGGLE LEVER IN			MILITARY RATING (AMPS)								
	KEYWAY SIDE (1 - 2)	CENTER (1 - 2)	OPPOSITE KEYWAY (2 - 3)	RESISTIVE LOAD				LAMP LOAD		INDUCTIVE LOAD		
				DC VOLTS	AC VOLTS	AC VOLTS	AC VOLTS	28 VDC	125 VAC	28 VDC	125 VAC	
ITL889-1	ON	OFF	ON	20	.75	.5	15	6	5	3	15	10
ITL889-2	OFF	NONE	ON	(REFER TO L191 FOR UL RATING)								
ITL889-3	ON	NONE	ON	(REFER TO L191 FOR UL RATING)								
ITL889-21	NONE	OFF	ON	(REFER TO L191 FOR UL RATING)								
ITL889-31	NONE	ON	ON	(REFER TO L191 FOR UL RATING)								
ITL889-4	MOM OFF	NONE	ON	(REFER TO L191 FOR UL RATING)								
ITL889-5	MOM ON	OFF	ON	(REFER TO L191 FOR UL RATING)								
ITL889-6	MOM ON	NONE	OFF	(REFER TO L191 FOR UL RATING)								
ITL889-7	MOM ON	OFF	MOM ON	(REFER TO L191 FOR UL RATING)								
ITL889-8	MOM ON	NONE	ON	(REFER TO L191 FOR UL RATING)								
ITL889-51	NONE	ON	MOM ON	(REFER TO L191 FOR UL RATING)								
ITL889-61	MOM ON	OFF	NONE	(REFER TO L191 FOR UL RATING)								



- NOTES
- SWITCHES ARE CAPABLE OF WITHSTANDING A TEMPERATURE OF 160° F CONTINUOUSLY AT FULL RATED LOAD
  - CIRCUIT DESIGNATION AND MICRO SWITCH CATALOG LISTING MARKED ON SIDE OF SWITCH
  - FURNISHED UNASSEMBLED
  - FOR TERMINAL COVER, SEE MICRO SWITCH CATALOG LISTING 5PA7
  - APPLIES ONLY TO "ON" AND "MOMENTARY ON" POSITIONS
  - GOLD PLATED CONTACTS

THIRD ANGLE PROJECTION

SCALE FULL

DO NOT SCALE PRINT

UNLESS OTHERWISE SPECIFIED TOLERANCES ARE

ONE PLACE	(.0)	±.030
TWO PLACE	(.00)	±.015
THREE PLACE	(.000)	±.005
ANGLES		±
WEIGHT	.07 LBS APPROX	

15A 125, <u>250</u> OR 277 VAC		10A 125, <u>250</u> , 277 VAC	
1/2 HP-125 VAC: 1 HP <u>250</u> , 277 VAC		1/4 HP 125VAC: 1/2 HP <u>250</u> , 277 VAC	
5A 125 VAC "L" CODE L191		3A 125 VAC "L" CODE L192	

ANSI Y14.5M-1982 APPLIES