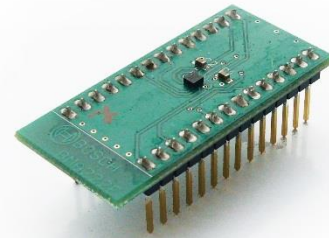


BMA253 Shuttle Board

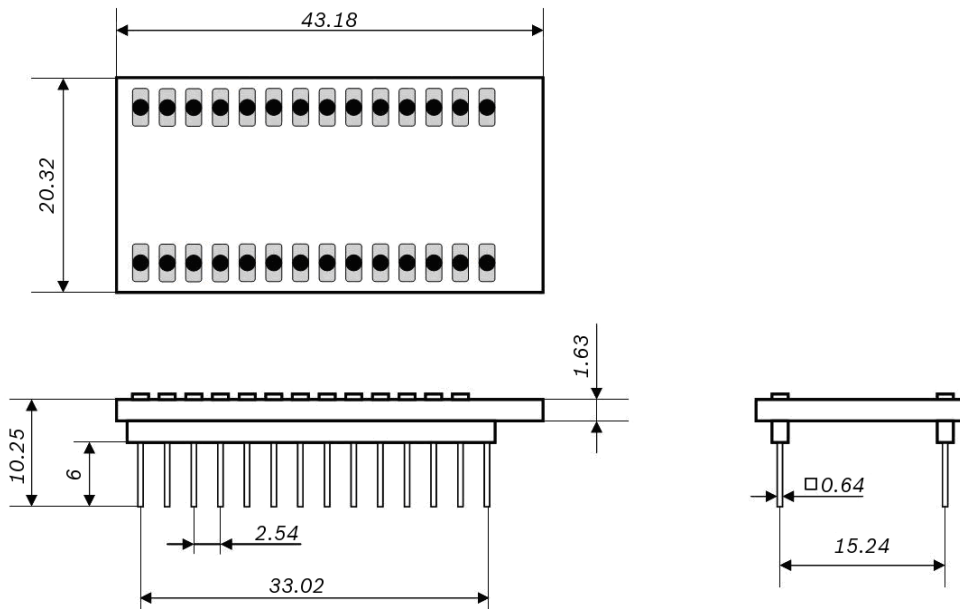
GENERAL DESCRIPTION

The Bosch Sensortec BMA253 shuttle-board is a PCB with a BMA253 acceleration sensor mounted on it. It allows easy access to the sensors pins via a simple socket. As all Bosch Sensortec sensor shuttle boards have identical footprint, they can be plugged into Bosch Sensortec's advanced development tools (e.g. the Application Board). Of course, the BMA253 shuttle board can also be used for customer's own implementations.

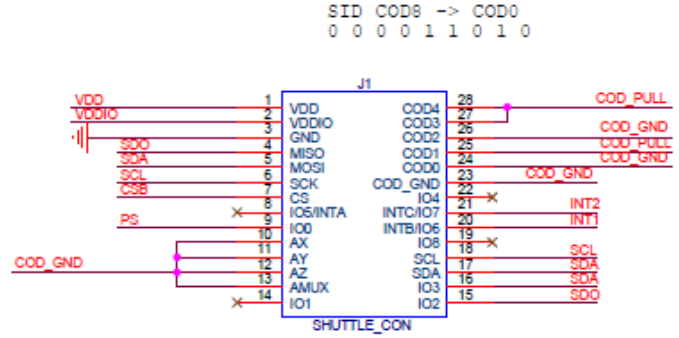
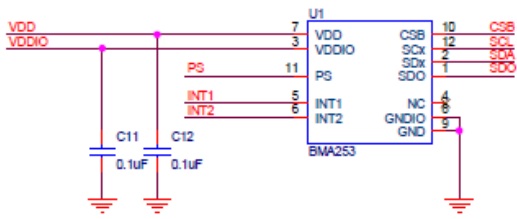


PDF.Support

Note: Product photo may differ from real product's appearance.



Shuttle board outline dimensions (all dimensions in mm)



Unless mentioned in value, all resistor and capacitor could use 0603

I2C address Matrix

Addr	Part
0x18	SDO:GND
0x19	SDO:VDDIO

BMA253 shuttle board electrical layout

DELIVERABLES

- ▶ BMA253 shuttle board

Headquarters
Bosch Sensortec GmbH
 Gerhard-Kindler-Strasse 9
 72770 Reutlingen · Germany
 Telephone +49 7121 3535 900
 Fax +49 7121 3535 909

www.bosch-sensortec.com