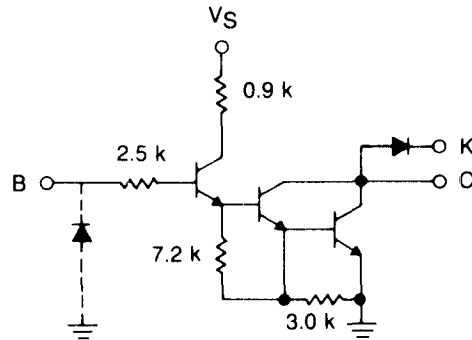
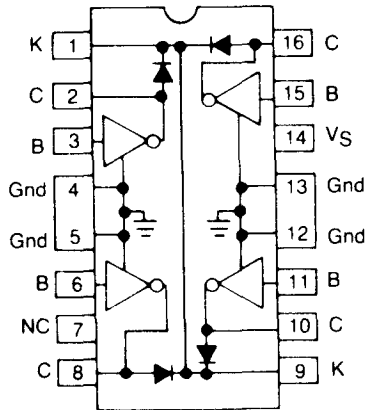


Peripheral Interface

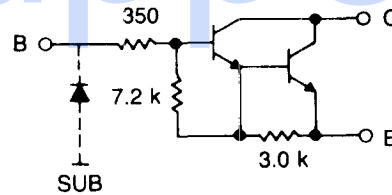
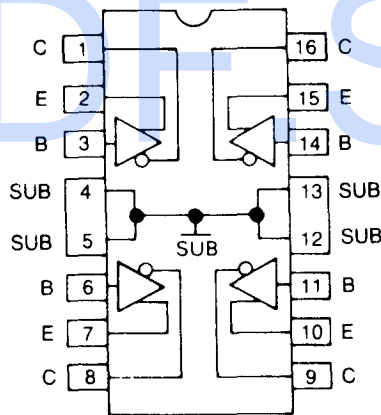
Driver Arrays

ULN2068 – Quad 1.5 A, $V_{CE} = 50\text{ V Max}$



ULN2074 – Quad 1.5 A, $V_{CE} = 50\text{ V Max}$

Both devices:
 $T_A = 0\text{ to }+70^\circ\text{C}$
 Package:
 B Suffix — Case 648C



MC1411 Series/ULN2001 Series

... Seven Darlington transistors with output clamp diodes.

Device Number	Application	Input Element
MC1411/ULN2001	General Purpose	Basic
MC1412/ULN2002	14–25 V PMOS	Zener and Series 10.5 kΩ resistor
MC1413/ULN2003	5.0 V CMOS or TTL	Series 2.7 kΩ resistor
MC1416/ULN2004	8–18 V MOS	Series 10.5 kΩ resistor

All Types:
 $V_{Max} = 50\text{ V}$
 $I_{Max} = 500\text{ mA}$
 $T_A = 0\text{ to }+85^\circ\text{C}$

Packages:
 L Suffix — Case 620
 P Suffix — Case 648

