



Specifications

Mechanical

Mechanical Life : 200mΩ max. 20,000 steps
 Operating Force : 200gf-cm max.

Environmental

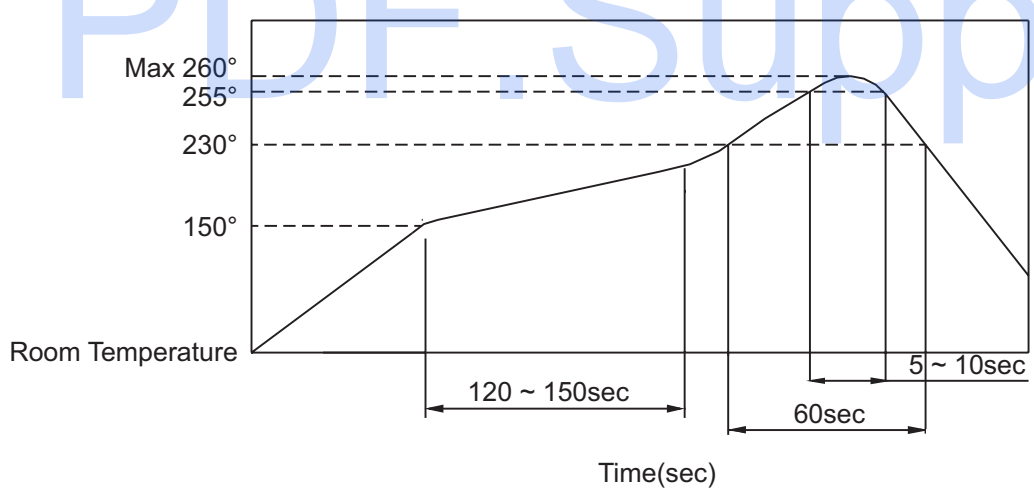
Operating Temperature : -25°C to +80°C
 Storage Temperature : -40°C to +85°C

Electrical

Electrical Life : 200mΩ max. 20,000 steps
 Non-Switching Rating : 100mA, 50V DC
 Switching Rating : 24V DC, 25mA
 Contact Resistance : (a) 100mΩ max. (initial)
 (b) 200mΩ (final – after test)
 Insulation Resistance : 100MΩ min. at 250V DC
 Voltage Proof : 250V AC for 1min.

Material

Base & Cover : UL 94V - 0 High-temp Thermoplastic
 Colour : Black
 Actuator : UL 94V - 0 High-temp Thermoplastic
 Colour : White
 Contact : Alloy Copper with Gold Plated over Nickel
 Terminal : Brass with Gold Plated



Soldering Process

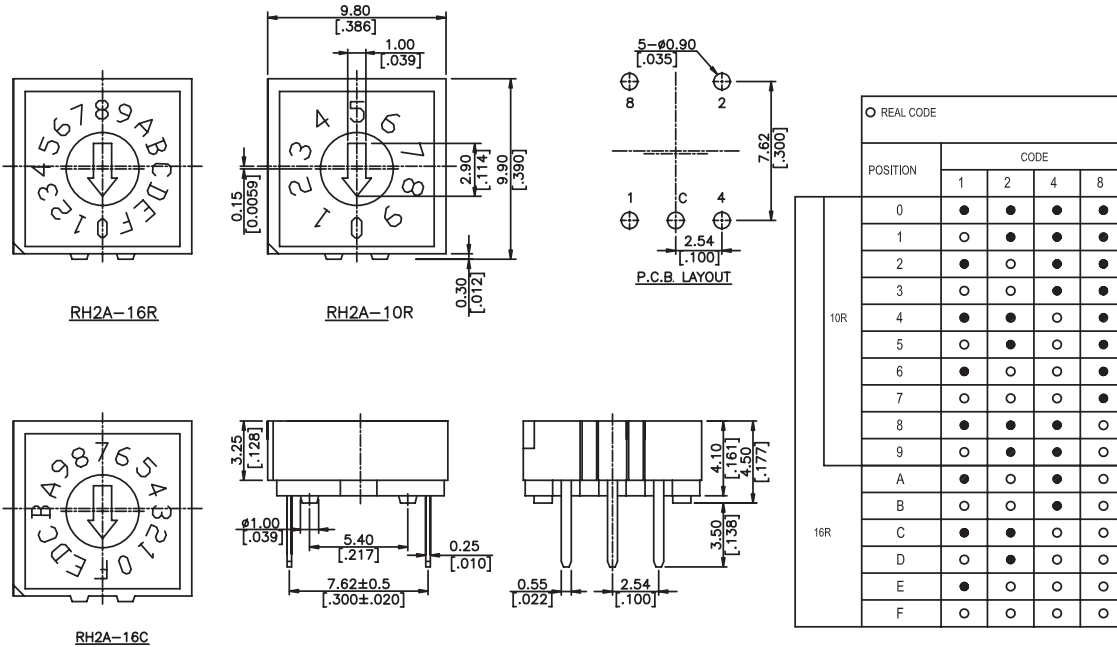
Hand Soldering : Use a soldering iron of 30 watts, controlled at (350°C) approximately max 5 seconds.
 Wave Soldering : Recommended temperature at 500°F (260°C) max. 5 seconds. (For through hole type).
 Reflow Soldering : When applying reflow soldering, the peak temperature of the reflow oven should be set to 260°C max.

Rotary Series



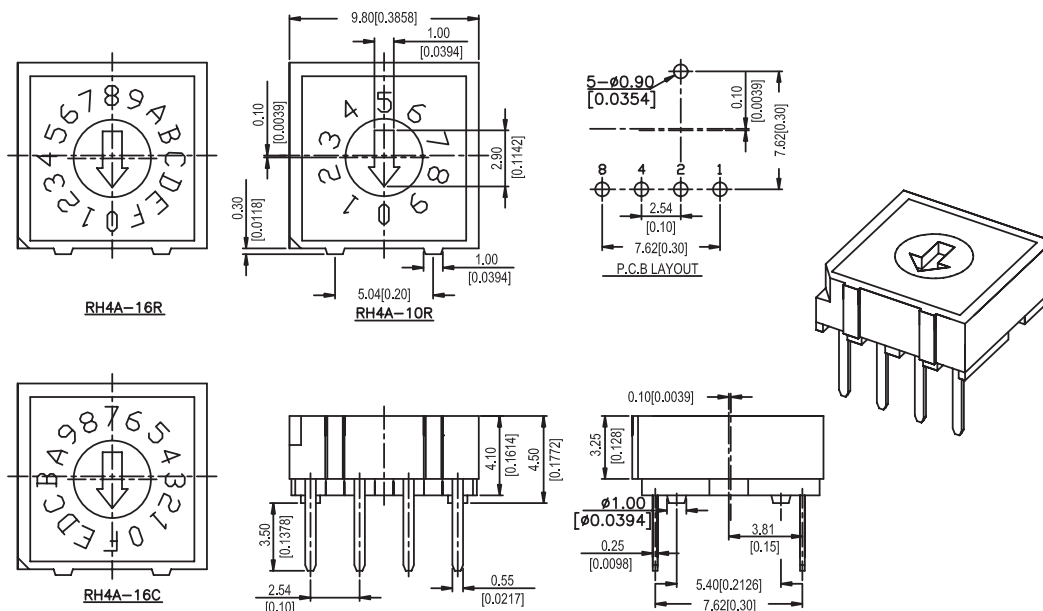
DIMENSIONS

MCRH2



General Tolerance : $\pm 0.2\text{mm}$

MCRH4



General Tolerance : $\pm 0.2\text{mm}$

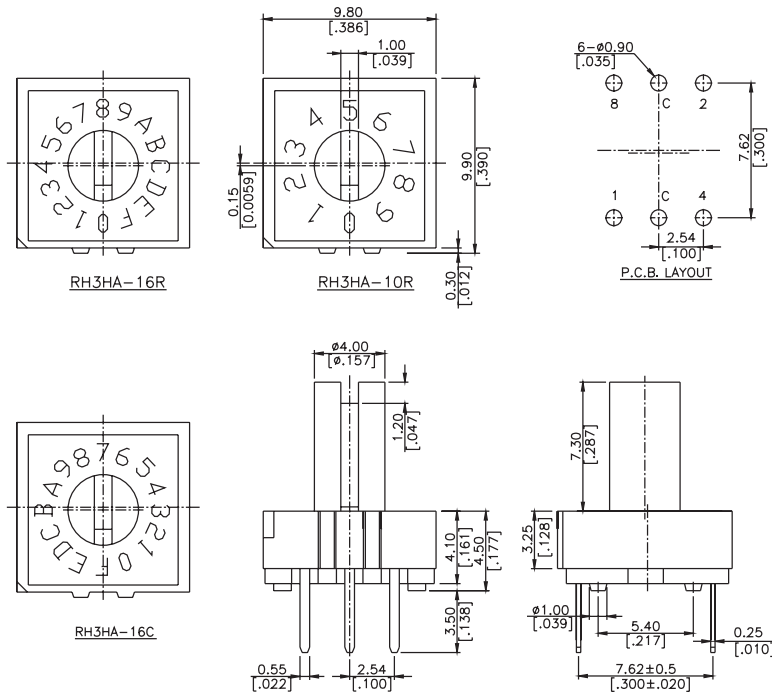
www.element14.com
 www.farnell.com
 www.newark.com



Rotary Series

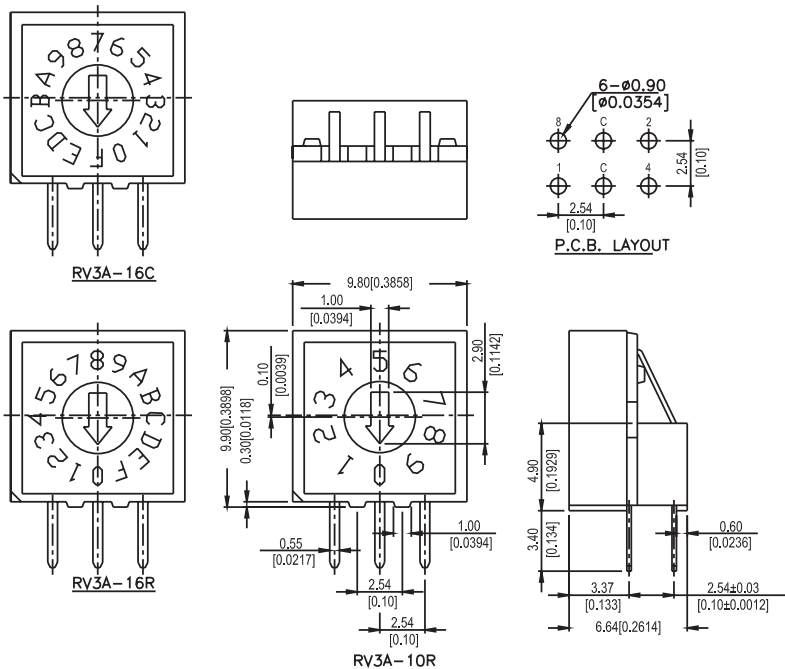


MCRH3H



General Tolerance : $\pm 0.2\text{mm}$

MCRV3



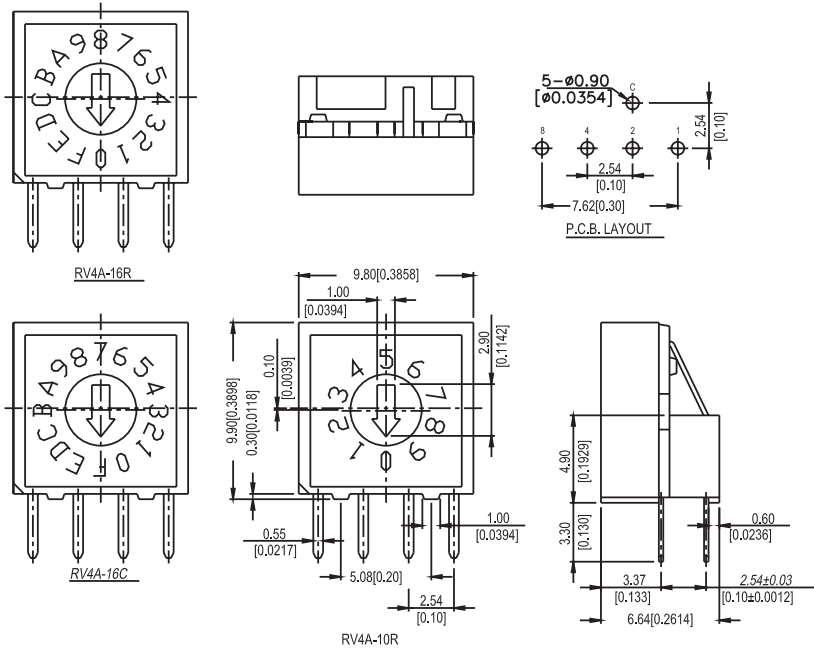
General Tolerance : $\pm 0.2\text{mm}$



Rotary Series

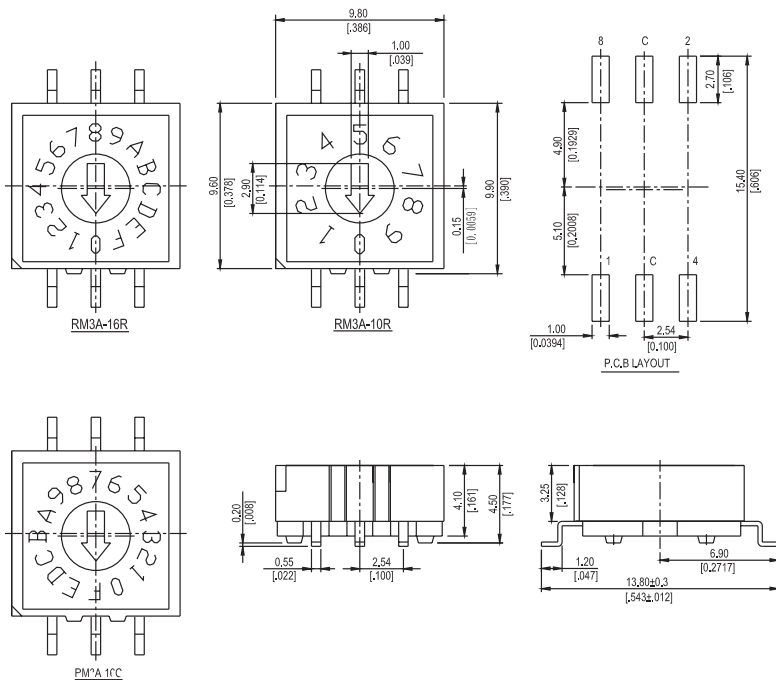


MCRV4



General Tolerance : $\pm 0.2\text{mm}$

MCRM3



General Tolerance : $\pm 0.2\text{mm}$

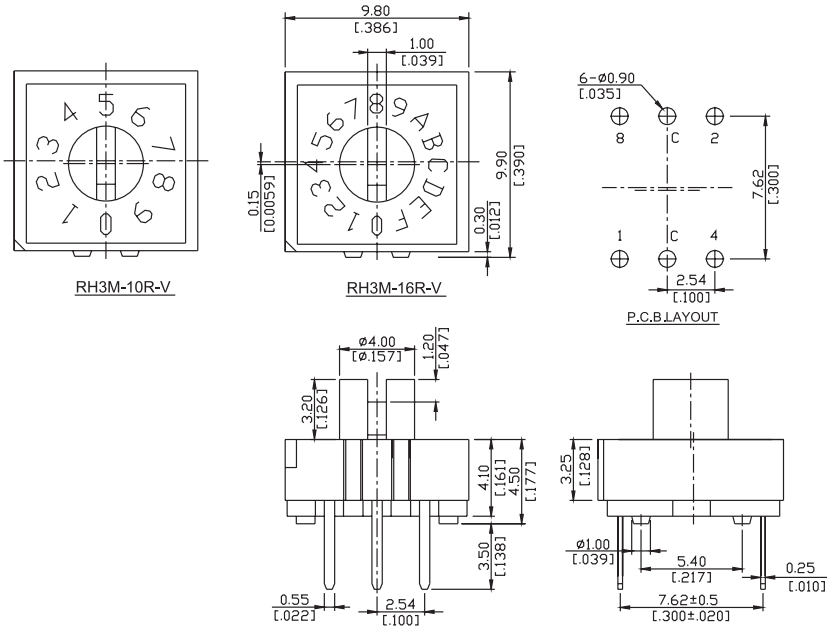
www.element14.com
www.farnell.com
www.newark.com



Rotary Series

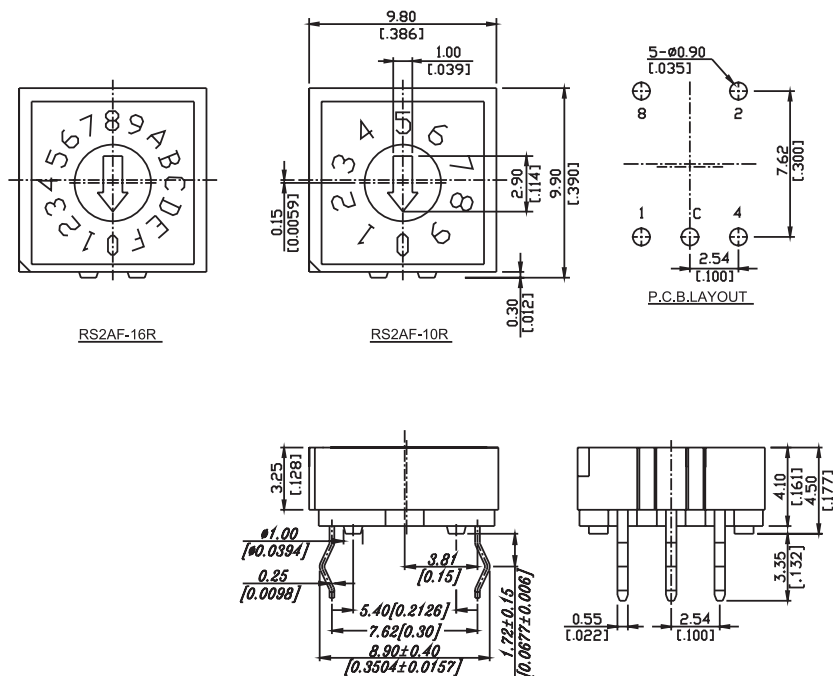


MCRH3M



General Tolerance : ±0.2mm

MCRS2

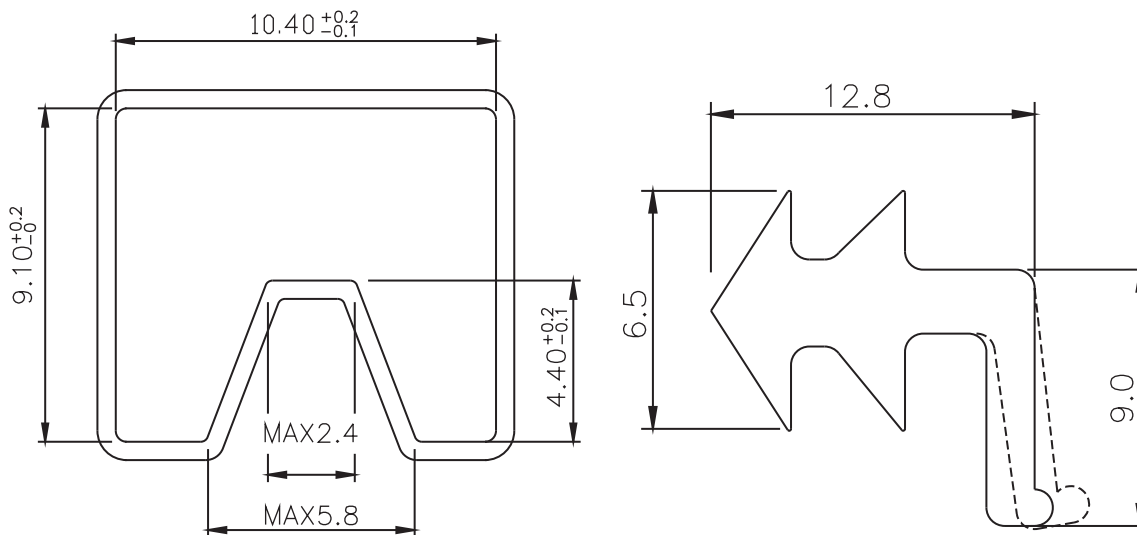


General Tolerance : ±0.2mm

www.element14.com
www.farnell.com
www.newark.com

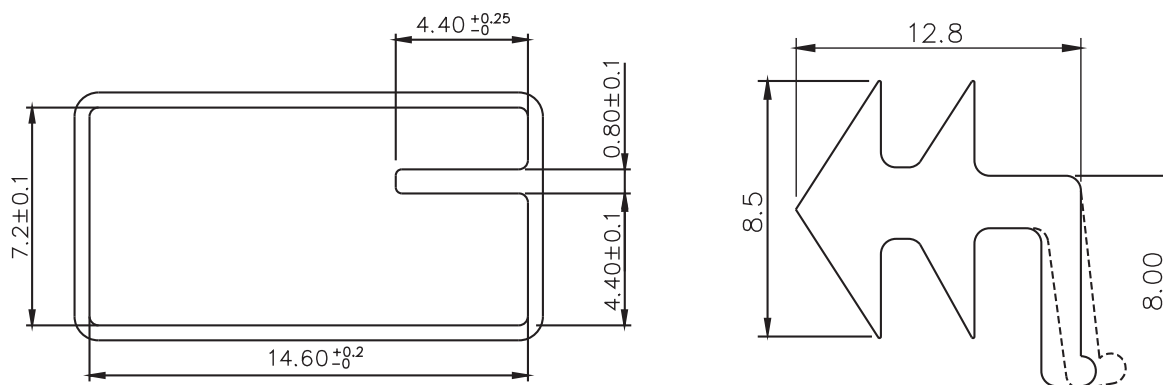


MCRH TUBE



General Tolerance : $\pm 0.2\text{mm}$

MCRV TUBE

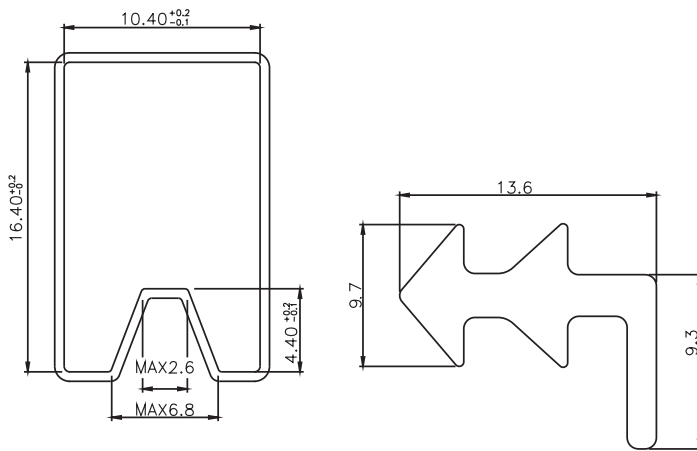


General Tolerance : $\pm 0.2\text{mm}$

Rotary Series

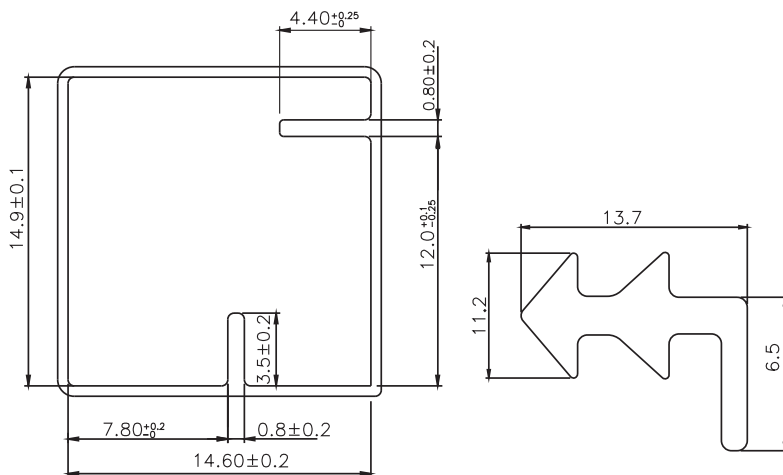


MCRH-H TUBE



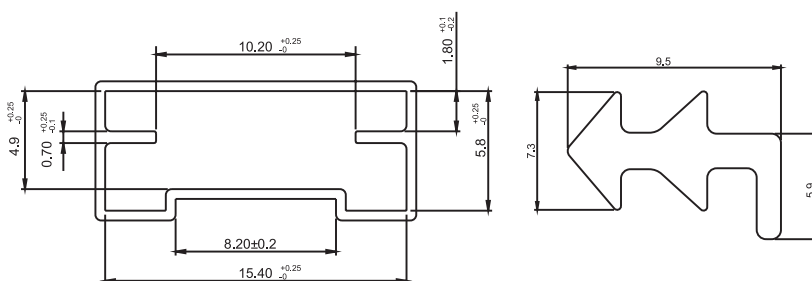
General Tolerance : ± 0.2 mm

MCRV-H TUBE



General Tolerance : ± 0.2 mm

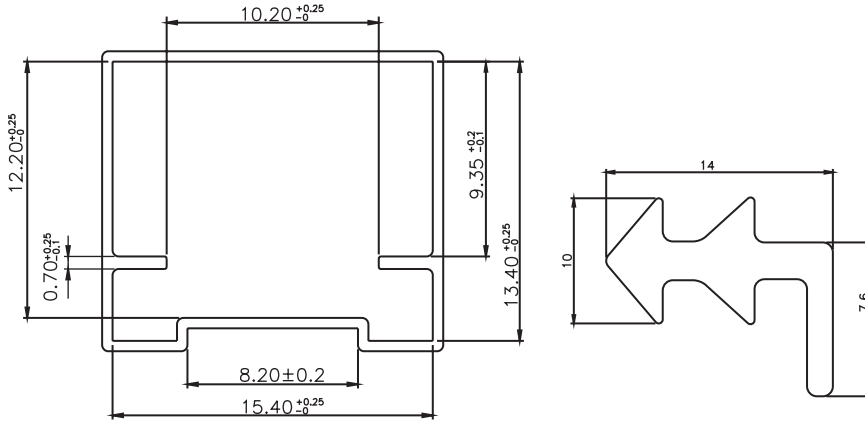
MCRM



General Tolerance : ± 0.2 mm

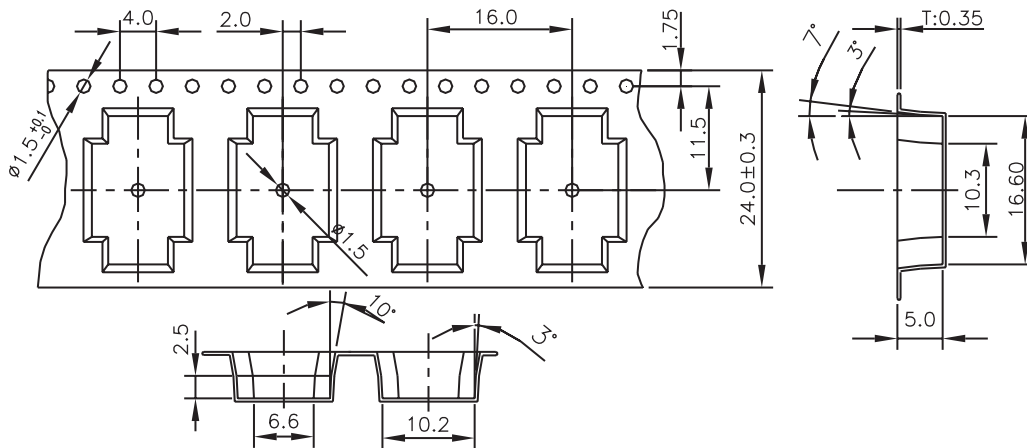


MCRM-H



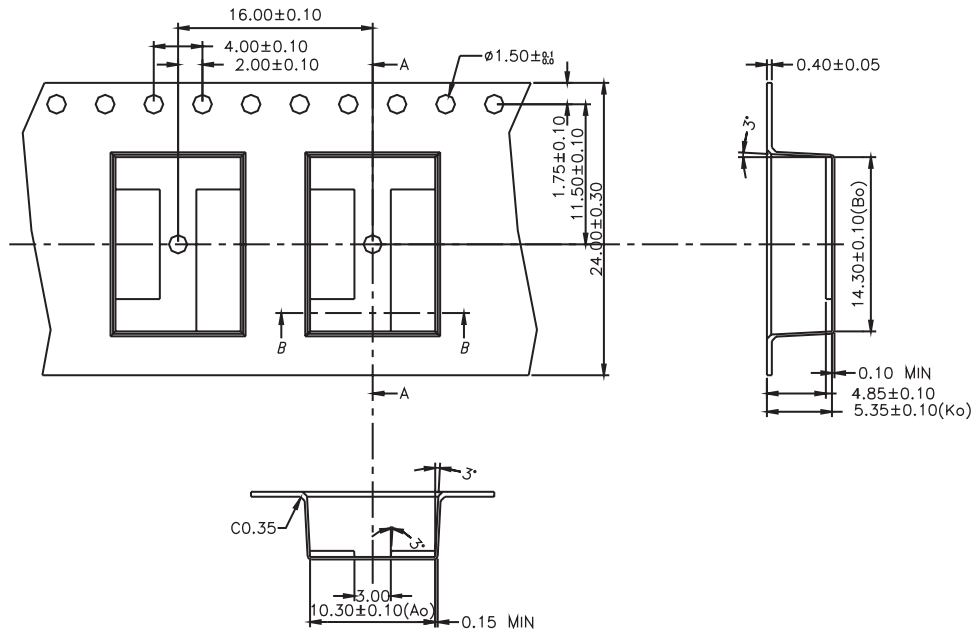
General Tolerance : $\pm 0.2\text{mm}$

MCRM3 REEL



General Tolerance : $\pm 0.1\text{mm}$

MCRM4 REEL



General Tolerance :

Part Number Table

Description	Part Number
Switch, Rotary, THT, 10×10, 10 POS, 3×2	MCRH2HAF-10R-V-B
Switch, Rotary, THT, 10×10, 16 POS, 3×2	MCRH2HAF-16R-V-B
Switch, Rotary, THT, 10×10, 10 POS, 3×3	MCRH3HAF-10R-V-B
Switch, Rotary, THT, 10×10, 16 POS, 3×3	MCRH3HAF-16R-V-B
Switch, Rotary, THT, 10×10, 10 POS, 4×1	MCRH4HAF-10R-V-B
Switch, Rotary, THT, 10×10, 16 POS, 4×1	MCRH4HAF-16R-V-B
Switch, Rotary, THT, 10×10, 10 POS, 3×2	MCRM2MAF-10R-V-B
Switch, Rotary, THT, 10×10, 16 POS, 3×2	MCRM2MAF-16R-V-B
Switch, Rotary, THT, 10×10, 10 POS, 3×3	MCRM3MAF-10R-V-B
Switch, Rotary, THT, 10×10, 16 POS, 3×3	MCRM3MAF-16R-V-B
Switch, Rotary, SMD, 10×10, 10 POS, 3×2	MCRM2HAF-10R-V-B
Switch, Rotary, SMD, 10×10, 16 POS, 3×2	MCRM2HAF-16R-V-B
Switch, Rotary, SMD, 10×10, 10 POS, 3×3	MCRM3HAF-10R-V-B
Switch, Rotary, SMD, 10×10, 16 POS, 3×3	MCRM3HAF-16R-V-B
Switch, Rotary, SMD, 10×10, 10 POS, 4×1	MCRM4HAF-10R-V-B
Switch, Rotary, SMD, 10×10, 16 POS, 4×1	MCRM4HAF-16R-V-B
Switch, Rotary, SMD, 10×10, 10 POS, 3×2	MCRM2MAF-10R-V-B

Rotary Series



Description	Part Number
Switch, Rotary, SMD, 10×10, 16 POS, 3×2	MCRM2MAF-16R-V-B
Switch, Rotary, SMD, 10×10, 10 POS, 3×3	MCRM3MAF-10R-V-B
Switch, Rotary, SMD, 10×10, 16 POS, 3×3	MCRM3MAF-16R-V-B
Switch, Rotary, R/A, 10×10, 10 POS, 3×2	MCRV2AF-10R-V-B
Switch, Rotary, R/A, 10×10, 16 POS, 3×2	MCRV2AF-16R-V-B
Switch, Rotary, R/A, 10×10, 10 POS, 3×3	MCRV3AF-10R-V-B
Switch, Rotary, R/A, 10×10, 16 POS, 3×3	MCRV3AF-16R-V-B
Switch, Rotary, R/A, 10×10, 10 POS, 4×1	MCRV4AF-10R-V-B
Switch, Rotary, R/A, 10×10, 16 POS, 4×1	MCRV4AF-16R-V-B
Switch, Rotary, KINK, 10×10, 10 POS, 3×2	MCRS2AF-10R-V-B
Switch, Rotary, KINK, 10×10, 16 POS, 3×2	MCRS2AF-16R-V-B
Switch, Rotary, KINK, 10×10, 10 POS, 3×3	MCRS3AF-10R-V-B
Switch, Rotary, KINK, 10×10, 16 POS, 3×3	MCRS3AF-16R-V-B
Switch, Rotary, KINK, 10×10, 10 POS, 4×1	MCRS4AF-10R-V-B
Switch, Rotary, KINK, 10×10, 16 POS, 4×1	MCRS4AF-16R-V-B

Important Notice : This data sheet and its contents (the "Information") belong to the members of the Premier Farnell group of companies (the "Group") or are licensed to it. No licence is granted for the use of it other than for information purposes in connection with the products to which it relates. No licence of any intellectual property rights is granted. The Information is subject to change without notice and replaces all data sheets previously supplied. The Information supplied is believed to be accurate but the Group assumes no responsibility for its accuracy or completeness, any error in or omission from it or for any use made of it. Users of this data sheet should check for themselves the Information and the suitability of the products for their purpose and not make any assumptions based on information included or omitted. Liability for loss or damage resulting from any reliance on the Information or use of it (including liability resulting from negligence or where the Group was aware of the possibility of such loss or damage arising) is excluded. This will not operate to limit or restrict the Group's liability for death or personal injury resulting from its negligence. Multicomp is the registered trademark of the Group. © Premier Farnell plc 2012.

www.element14.com
www.farnell.com
www.newark.com

