

**VOIDLESS-HERMETICALLY-SEALED 1.5  
 WATT GLASS ZENER DIODE**  
*Qualified per MIL-PRF-19500/406*

**DEVICES**

**1N4460 thru 1N4496 & C / D / US  
 1N6485 thru 1N6491 & C / D / US**

**LEVELS  
 JAN  
 JANTX  
 JANTXV  
 JANS**

**DESCRIPTION**

This Zener Voltage Regulator series is military qualified to MIL-PRF-19500/406 and is ideal for high-reliability applications where a failure cannot be tolerated. These industry-recognized 1.5 Watt Zener Voltage Regulators are hermetically sealed with voidless-glass construction using an internal metallurgical bond. It includes Zener selections from 3.3 to 200 volts in standard 5% tolerances as well as tighter tolerances identified by different suffix letters on the part number. They are also available in surface-mount packages (see separate data sheet for 1N4460US thru 1N4496US and 1N6485US thru 1N6491US). Microsemi also offers numerous other Zener products to meet higher and lower power ratings in both thru-hole and surface mount packages.

**IMPORTANT:** For the most current data, consult *MICROSEMI's* website: <http://www.microsemi.com>



**DO-41**

**FEATURES**

- Popular JEDEC registered series
- Voidless hermetically sealed glass package
- Extremely robust construction
- Triple-layer passivation
- Internal “*Category I*” Metallurgical bonds for 1N4462 thru 1N4496 and “*Category III*” for 1N6485 thru 1N6491 as well as 1N4460 and 1N4461.
- JAN, JANTX, JANTXV, and JANS available per MIL-PRF-19500/406
- Surface mount equivalents also available in a square end-cap MELF configuration with a “US” suffix (see separate data sheet for 1N4460US thru 1N4496US and 1N6485US thru 1N6491US)

## APPLICATIONS / BENEFITS

- Regulates voltage over a broad operating current and temperature range
- Extensive selection from 3.3 to 200V
- Standard voltage tolerances are plus/minus 5% with no suffix
- Tight tolerances available in plus or minus 2% or 1% with C or D suffix respectively
- Flexible axial-lead mounting terminals
- Nonsensitive to ESD per MIL-STD-750 Method 1020
- Inherently radiation hard as described in Microsemi MicroNote 050

## MAXIMUM RATINGS

- Operating Temperature:  $-65^{\circ}\text{C}$  to  $+175^{\circ}\text{C}$ .
- Storage Temperature:  $-65^{\circ}\text{C}$  to  $+200^{\circ}\text{C}$ .
- Power Dissipation: 1.5 Watts @  $T_A = 25^{\circ}\text{C}$
- Thermal Resistance:  $42^{\circ}\text{C}/\text{W}$  junction to lead at 3/8 inch (10 mm) from body
- Thermal Impedance:  $4.5^{\circ}\text{C}/\text{W}$  (1N4462 thru 1N4496) and  $7.5^{\circ}\text{C}/\text{W}$  (1N6485 thru 1N6491 as well as 1N4460 and 1N4461) at 10 ms
- Forward Voltage: 1.00 V at 200 mA and 1.5 V at 1.0 A

## MECHANICAL AND PACKAGING

- CASE: Hermetically sealed voidless hard glass with Tungsten slugs
- TERMINATIONS: Axial-leads are Tin/Lead (Sn/Pb) over Copper
- MARKING: Body painted and part number, etc.
- POLARITY: Cathode indicated by band
- Tape & Reel option: Standard per EIA-296
- Weight: 340 mg

## ELECTRICAL CHARACTERISTICS @ 25°C Case Temperature

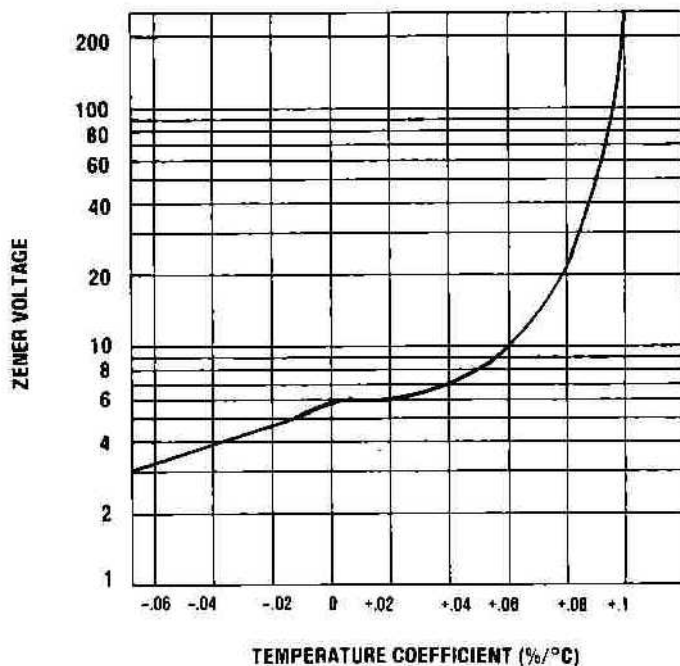
TYPE	NOMINAL ZENER VOLTAGE $V_Z$	TEST CURRENT $I_{ZT}$	MAXIMUM DYNAMIC IMPEDANCE $Z_{ZT} @ I_{ZT}$	MAXIMUM KNEE IMPEDANCE $Z_{ZK} @ I_{ZK}$		MAXIMUM REVERSE CURRENT $I_R @ V_R$		MAXIMUM CONTINUOUS CURRENT $I_{ZM}$	SURGE CURRENT @ 8.3 ms sq. wave $I_{ZSM}$
	VOLTS	mA	OHMS	OHMS	mA	$\mu$ A	VOLTS	mA	AMPS
1N6485	3.3	76.0	10	400	1.0	50	1.0	433	4.2
1N6486	3.6	69.0	10	400	1.0	50	1.0	397	3.9
1N6487	3.9	64.0	9	400	1.0	35	1.0	366	3.6
1N6488	4.3	58.0	9	400	1.0	5.0	1.0	332	3.3
1N6489	4.7	53.0	8	500	1.0	4.0	1.0	304	3.0
1N6490	5.1	49.0	7	500	1.0	1.0	1.0	280	2.7
1N6491	5.6	45.0	5	600	1.0	0.5	2.0	255	2.5
1N4460	6.2	40.0	4	200	1.0	10.0	3.72	230	2.3
1N4461	6.8	37.0	2.5	200	1.0	5.0	4.08	210	2.1
1N4462	7.5	34.0	2.5	400	.5	1.0	4.50	191	1.9
1N4463	8.2	31.0	3	400	.5	.50	4.92	174	1.7
1N4464	9.1	28.0	4	500	.5	.30	5.46	157	1.6
1N4465	10.0	25.0	5	500	.25	.30	8.00	143	1.4
1N4466	11.0	23.0	6	550	.25	.30	8.80	130	1.3
1N4467	12.0	21.0	7	550	.25	.20	9.60	119	1.2
1N4468	13.0	19.0	8	550	.25	.05	10.40	110	1.1
1N4469	15.0	17.0	9	600	.25	.05	12.00	95	.95
1N4470	16.0	15.5	10	600	.25	.05	12.80	90	.90
1N4471	18.0	14.0	11	650	.25	.05	14.40	79	.79
1N4472	20.0	12.5	12	650	.25	.05	16.00	71	.71
1N4473	22.0	11.5	14	650	.25	.05	17.60	65	.65
1N4474	24.0	10.5	16	700	.25	.05	19.20	60	.60
1N4475	27.0	9.5	18	700	.25	.05	21.60	53	.53
1N4476	30.0	8.5	20	750	.25	.05	24.00	48	.48
1N4477	33.0	7.5	25	800	.25	.05	26.40	43	.43
1N4478	36.0	7.0	27	850	.25	.05	28.80	40	.40
1N4479	39.0	6.5	30	900	.25	.05	31.2	37	.37
1N4480	43.0	6.0	40	950	.25	.05	34.4	33	.33
1N4481	47.0	5.5	50	1000	.25	.05	37.6	30	.30
1N4482	51.0	5.0	60	1100	.25	.05	40.8	28	.28
1N4483	56.0	4.5	70	1300	.25	.25	44.8	26	.26
1N4484	62.0	4.0	80	1500	.25	.25	49.6	23	.23
1N4485	68.0	3.7	100	1700	.25	.25	54.4	21	.21
1N4486	75.0	3.3	130	2000	.25	.25	60.4	19	.19
1N4487	82.0	3.0	160	2500	.25	.25	65.6	17	.17
1N4488	91.0	2.8	200	3000	.25	.25	72.8	16	.16
1N4489	100.0	2.5	250	3100	.25	.25	80.0	14	.14
1N4490	110.0	2.0	300	4000	.25	.25	88.0	13	.13
1N4491	120.0	2.0	400	4500	.25	.25	96.0	12	.12
1N4492	130.0	1.9	500	5000	.25	.25	104.0	11	.11
1N4493	150.0	1.7	700	6000	.25	.25	120.0	9.5	.095
1N4494	160.0	1.6	1000	6500	.25	.25	128.0	8.9	.089
1N4495	180.0	1.4	1300	7000	.25	.25	144.0	7.9	.079
1N4496	200.0	1.2	1500	8000	.25	.25	160.0	7.2	.072

## SYMBOLS & DEFINITIONS

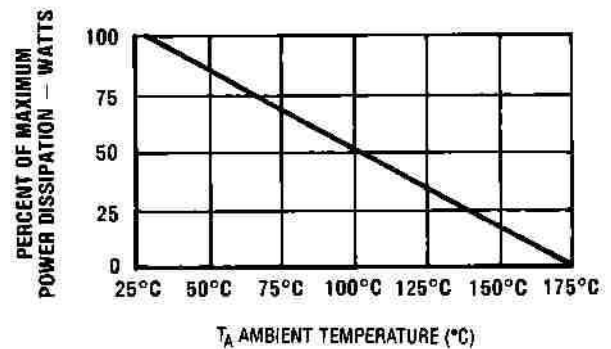
Symbol	Definition
$V_Z$	Zener Voltage: The zener voltage the device will exhibit at a specified current ( $I_Z$ ) in its breakdown region.
$I_Z, I_{ZT}, I_{ZK}$	Regulator Current: The dc regulator current ( $I_Z$ ), at a specified test point ( $I_{ZT}$ ), near breakdown knee ( $I_{ZK}$ ).
$Z_{ZT}$ or $Z_{ZK}$	Dynamic Impedance: The small signal impedance of the diode when biased to operate in its breakdown region at a specified rms current modulation (typically 10% of $I_{ZT}$ or $I_{ZK}$ ) and superimposed on $I_{ZT}$ or $I_{ZK}$ respectively.
$V_F$	Maximum Forward Voltage: The maximum forward voltage the device will exhibit at a specified current.
$I_R$	Maximum Reverse Current: The maximum reverse (leakage) current that will flow at the specified voltage and temperature.
$I_{ZM}$	Maximum Regulator (Zener) Current: The maximum rated dc current for the specified power rating.
$I_{ZSM}$	Maximum Zener Surge Current: The nonrepetitive peak value of zener surge current at a specified wave form.

## GRAPHS

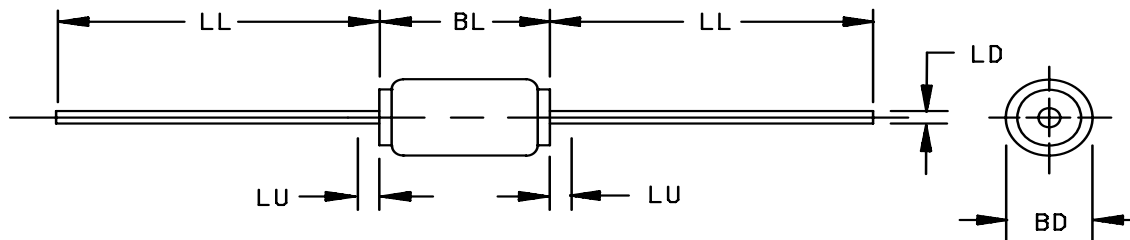
**FIGURE 1**  
 TYPICAL TEMPERATURE  
 COEFFICIENT CHARACTERISTICS



**FIGURE 2**  
 POWER TEMPERATURE DERATING CURVE



## PACKAGE DIMENSIONS

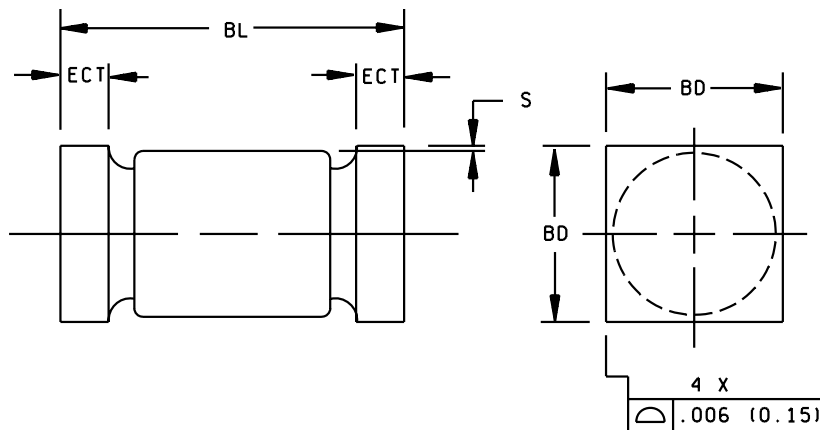


**NOTE:**

1. Dimensions are in inches.
2. Millimeters are given for general information only.
3. Package contour optional with BD and length BL. Heat slugs, if any, shall be included within this cylinder length but shall not be subject to minimum limit of BD.
4. The specified lead diameters apply in the zone between .050 inch (1.27 mm) from the diode body and the end of the lead.
5. In accordance with ASME Y14.5M, diameters are equivalent to  $\varnothing$ x symbology.

Ltr	Dimensions				Notes
	Inches		Millimeters		
	Min	Max	Min	Max	
BL	.106	.160	2.69	4.06	3
BD	.060	.085	1.52	2.16	3
LL	.800	1.300	20.32	33.02	
LD	.028	.032	0.71	0.81	
LU		.050		1.27	4

**FIGURE 1.** Physical dimensions of nonsurface mount device (similar to DO-41)



**NOTE:**

1. Dimensions are in inches.
2. Millimeters are given for general information only.
3. In accordance with ASME Y14.5M, diameters are equivalent to  $\varnothing$ x symbology.
4. Dimensions are pre-solder dip.

Ltr	Dimensions			
	Inches		Millimeters	
	Min	Max	Min	Max
BL	.168	.200	4.28	5.08
ECT	.019	.028	0.48	0.71
S	.003		0.08	
BD	.091	.103	2.31	2.62

**FIGURE 2.** Physical dimensions of surface mount device, US(D5A).