



DEUTSCH DJT SERIES CONNECTORS FOR MIL-DTL-38999 SERIES I

RUGGED, HARSH ENVIRONMENT
SUBMINIATURE CONNECTORS

QUICK REFERENCE GUIDE

Wide Range

- Mil spec and commercial
- Range of finishes

High Performance

- Environmentally sealed

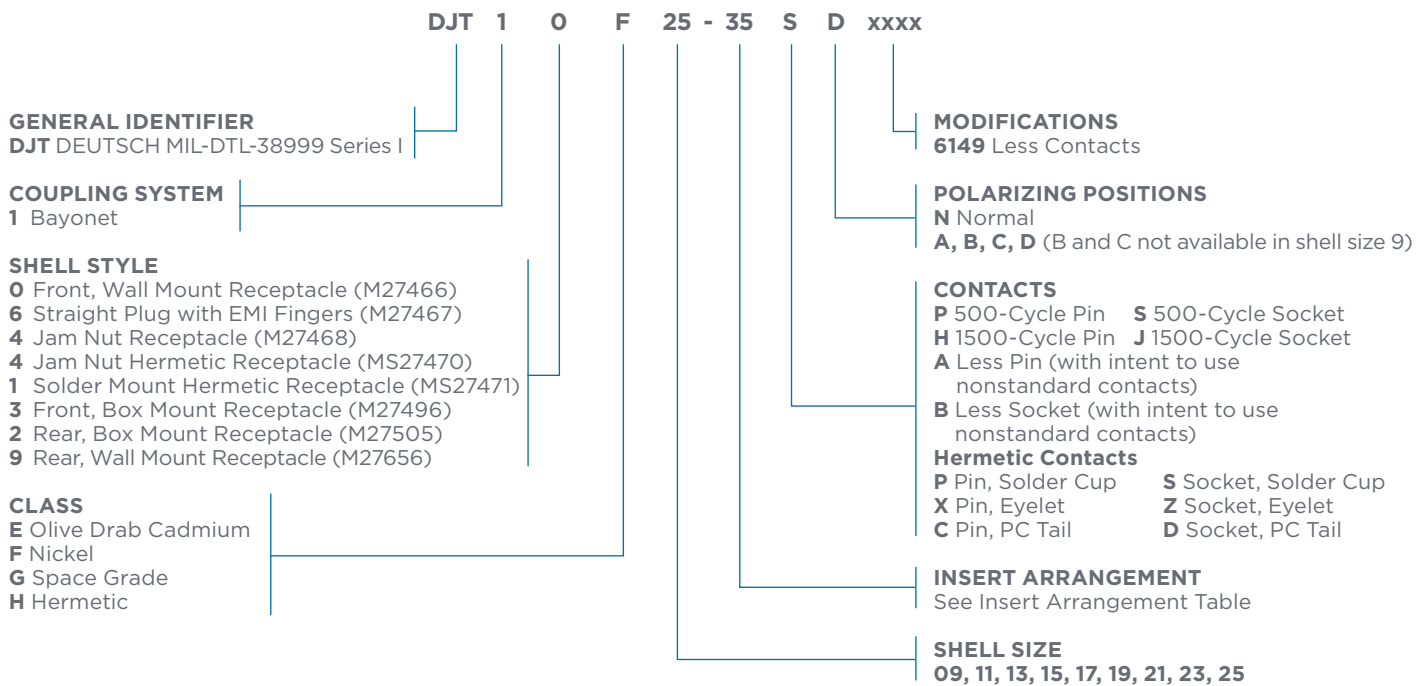
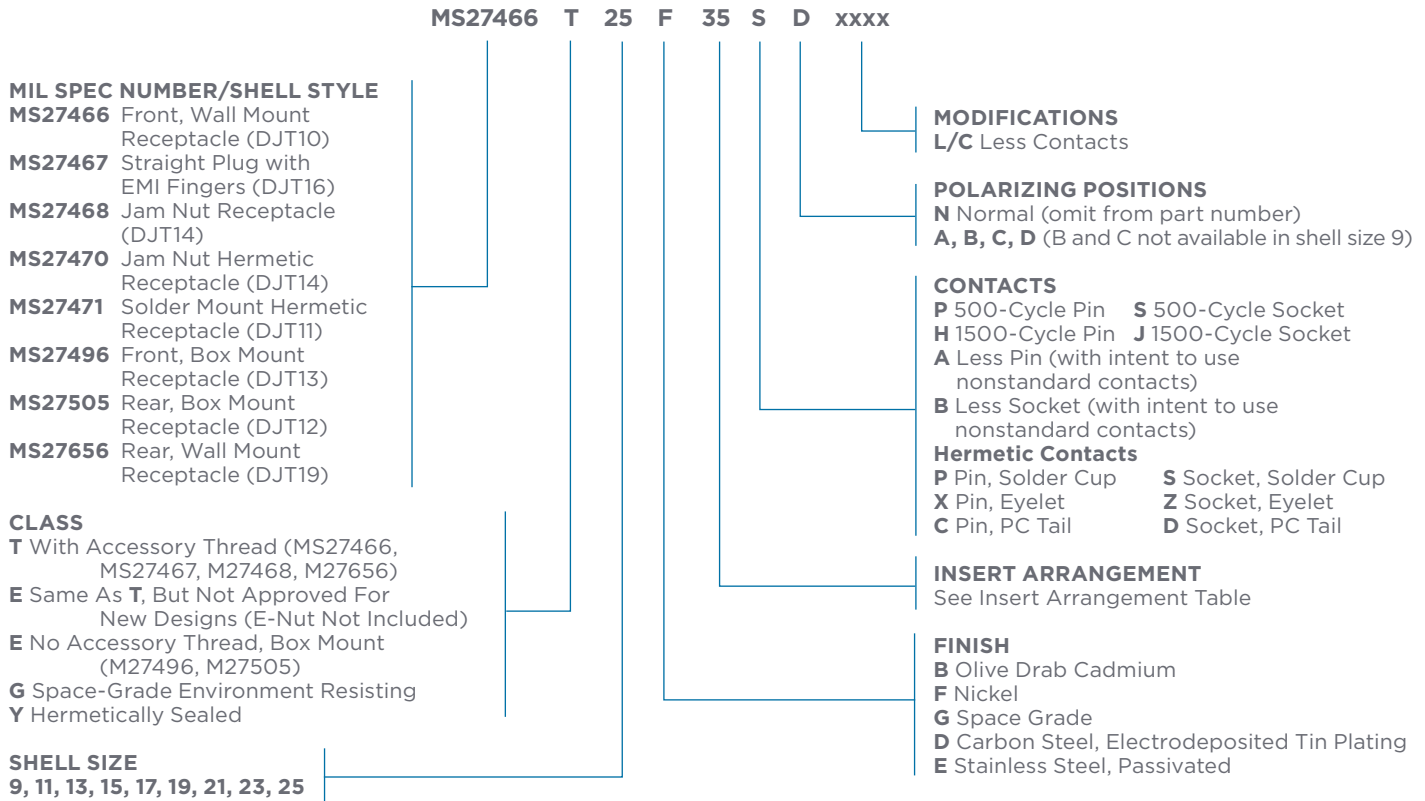
MIL-DTL-38999 Series I Connectors

Coupling Mechanism	Bayonet, 1/3 Turn
Shell Materials	Aluminum
Features	Scoop proof Environmentally sealed Hermetic versions Filter versions Plugs with spring fingers for EMI control
Shell Platings	Olive drab cadmium Electroless nickel Carbon steel, electrodeposited tin plating Stainless steel, passivated
Contact Sizes	22, 20, 16, 12, 10, 8
Shell Sizes	9, 11, 13, 15, 17, 19, 21, 23, 25
No. of Signal Contacts, Max.	128
Contact Type	AS39029
Contact Styles	Crimp Solder cup or eyelet PCB tail
Operating Temperatures	-65°C to +150°C - Electrodeposited tin-plated carbon steel (Class D) -65°C to +175°C - Cadmium finish (Class B) -65°C to +200°C - Nickel finish (Class F) and stainless steel (Class E)
Durability (Mating Cycles)	500
Standard Configurations	
Plugs	Straight, with EMI spring fingers (M27467)
Receptacles	Front, wall mount (M27466) Jam nut (M27468) Front, box mount (M27496) Rear, box mount (M27505) Rear, wall mount (M27656) Jam nut hermetic receptacle (MS27470) Solder mount hermetic receptacle (MS27471)

TE Components . . . TE Technology . . . TE Know-how . . .
AMP | Agastat | CII | Hartman | Kilovac | Microdot | Nanonics | Polamco | Raychem | Rochester | DEUTSCH
SEACON Phoenix | L.L. Rowe | Phoenix Optix | AFP | SEACON

Get your product to market faster with a smarter, better solution.

DEUTSCH 38999 Series I Connectors



Insert Arrangements



Insert	Contact Size/Quantity											QPL	QPL Hermetic	Uses 38999/62-8* Boots	Inactive: Superseded by
	DJT and Military	8 Twinax	8 Coax	8 Power	12 Twinax	12 Coax	10	12	16	20	22D				
09-07											7				
09-35											6	✓	✓		
09-98									3			✓	✓		
11-02								2				✓	✓		
11-04									4			✓	✓		
11-05									5			✓	✓		
11-35										13		✓	✓		
11-98									6			✓	✓		
11-99									7			✓	✓		
13-04								4				✓	✓		
13-08									8			✓	✓		
13-35										22		✓	✓		
13-98									10			✓	✓		
15-05								5				✓	✓		
15-15								1	14				✓		
15-18									18				✓		
15-19									19			✓	✓		
15-26								2		24					
15-35										37		✓	✓		
15-97								4	8			✓	✓		
17-02	1									38					17-03
17-03	1									38				✓	
17-06							6					✓			
17-08								8				✓			
17-11				2	1				8						
17-19								4	11	4					
17-20							4			16					
17-22	2						2								
17-24			2							22					
17-26									26			✓			
17-35										55		✓			
17-99								2	21			✓			
19-11								11				✓			
19-18	4									14					19-19
19-19	4									14				✓	
19-28								2	26						
19-32									32			✓			



Insert	Contact Size/Quantity													
DJT and Military	8 Twinax	8 Coax	8 Power	12 Twinax	12 Coax	10	12	16	20	22D	QPL	QPL Hermetic	Uses 38999/62-8* Boots	Inactive: Superseded by
19-35										66	✓			
21-11							11				✓			
21-16								16			✓			
21-20	2								18					
21-35										79	✓			
21-39								2	37		✓			
21-41									41		✓			
21-48			4											
21-75	4													21-76
21-76	4												✓	
23-06	6													
23-21								21			✓			
23-35										100	✓			
23-53									53		✓			
23-54							4	9	40					
23-55									55		✓			
23-63							4	4	49					
25-04								8	48		✓	✓		
25-07	2									97				25-09
25-08	8													25-10
25-09	2									97			✓	
25-10	8												✓	
25-17	6									36				
25-19							19				✓	✓		
25-20	3				4			13	10					25-21
25-21	3				4			13	10				✓	
25-24							12	12			✓	✓		
25-29								29			✓	✓		
25-35										128	✓	✓		
25-37								37			✓	✓		
25-43								20	23		✓	✓		
25-46		2						4	40					25-47
25-47		2						4	40				✓	
25-61									61		✓	✓		
25-90	2							4	40					25-91
25-91	2							4	40				✓	

Blue shaded entries are not Mil Spec.

LET'S CONNECT

We make it easy to connect with our experts and are ready to provide all the support you need. Just call your local support number or visit www.te.com/industrial to chat with a Product Information Specialist.

Technical Support

te.com/support-center

North America	+1 800 522 6752	Asia Pacific	+86 400 820 6015
North America (Toll)	+1 717 986 7777	Japan	044 844 8180
EMEA/South Africa	+800 0440 5100	Australia	+61 2 9554 2695
EMEA (Toll)	+31 73 624 6999	New Zealand	+64 (0) 9 634 4580
India (Toll-Free)	+800 440 5100		

te.com/38999

DEUTSCH, TE, TE Connectivity and the TE connectivity (logo) are trademarks of the TE Connectivity Ltd. family of companies. Other products, logos, and company names mentioned herein may be trademarks of their respective owners.

While TE has made every reasonable effort to ensure the accuracy of the information herein, nothing herein constitutes any guarantee that such information is error-free, or any other representation, warranty or guarantee that the information is accurate, correct, reliable or current. The TE entity issuing this publication reserves the right to make any adjustments to the information contained herein at any time without notice. All implied warranties regarding the information contained herein, including, but not limited to, any implied warranties of merchantability or fitness for a particular purpose are expressly disclaimed. The dimensions herein are for reference purposes only and are subject to change without notice. Specifications are subject to change without notice.

Consult TE for the latest dimensions and design specifications.

© 2016 TE Connectivity Ltd. family of companies All Rights Reserved.

1-1773870-8 10/16