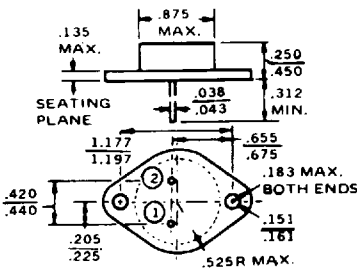


# SILICON TRANSISTORS

82 DE 0258354 0000043 9

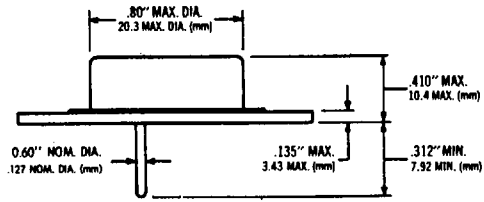
DEVICE TYPE NO.	POLARITY	P <sub>0</sub> @ T <sub>c</sub> =25°C	MAXIMUM RATINGS				ELECTRICAL CHARACTERISTICS				CASE
		WATTS	I <sub>c</sub> AMPS	BV <sub>CS0</sub>	BV <sub>CE</sub>	BV <sub>ES0</sub>	h <sub>FE</sub> MIN.	I <sub>c</sub> AMPS	V <sub>CE</sub>	f MHz *KHZ	
2N3420	NPN	1.00	3.00	85	60	8	40	1.00	2	40	T05
2N3421	NPN	1.00	3.00	125	80	8	40	1.00	2	40	T05
2N3439	NPN	1.00	1.00	450	350	7	40	.020	10	15	T039
2N3440	NPN	1.00	1.00	300	250	7	40	.020	10	15	T039
2N3442	NPN	117	10.0	160	140	7	20	.200	4	*80	T03
2N3444	NPN	1.00	1.00	80	50	5	20	.500	1	150	T039
2N3445	NPN	115	7.50	80	60	6	20	3.00	5	10	T03
2N3446	NPN	115	7.50	100	80	10	20	3.00	5	10	T03
2N3447	NPN	115	7.50	80	60	6	40	5.00	5	10	T03
2N3448	NPN	115	7.50	100	80	10	40	5.00	5	10	T03
2N3451	PNP	.300	.050	6	6	4	30	.010	.3	300	T018
2N3467	PNP	1.00	1.00	40	40	5	40	.500	1	175	T039
2N3468	PNP	1.00	1.00	50	50	5	25	.500	1	150	T039
2N3469	NPN	1.20	5.00	35	25	5	100	.500	1	20	T039
2N3478	NPN	.200	.050	30	15	2	25	.002	8	750	T072
2N3494	PNP	.600	.100	80	80	4.5	40	.010	10	200	T039
2N3495	PNP	.600	.100	120	120	4.5	40	.010	10	150	T039
2N3498	NPN	1.00	.500	100	100	6	40	.150	10	150	T039
2N3499	NPN	1.00	.500	100	100	6	100	.150	10	150	T039
2N3500	NPN	1.00	.300	150	150	6	40	.150	10	150	T039
2N3501	NPN	1.00	.300	150	150	6	100	.150	10	150	T039
2N3506	NPN	1.00	3.00	60	40	5	40	1.50	2	60	T039
2N3507	NPN	1.00	3.00	80	50	5	30	.001	2	60	T039
2N3510	NPN	.360	.500	40	10	6	25	.015	10	350	T018
2N3511	NPN	.360	.500	40	15	6	30	.150	1	450	T018
2N3545	PNP	.360	.200	20	20	5	40	.001	1	250	T018
2N3550	PNP	.400	.100	60	45	10	200	10	5	60	T018
2N3554	NPN	.800	1.20	60	30	5	25	.750	1	150	T039
2N3563	NPN	.200	.050	30	12	2	20	.008	10	600	T0106
2N3564	NPN	.200	.100	30	15	4	20	.015	10	400	T0106
2N3565	NPN	.200	.050	30	25	6	120	.001	5	40	T0106
2N3566	NPN	.300	.200	40	30	5	80	.002	10	40	T0105
2N3567	NPN	.300	.500	80	40	5	40	.150	1	60	T0105
2N3568	NPN	.300	.500	80	60	5	40	.150	1	60	T0105
2N3569	NPN	.300	.500	80	40	5	100	.150	1	1000	T0105
2N3572	NPN	.200	.050	25	13	3	20	.005	6	1000	T072
2N3576	PNP	.360	.200	20	15	5	40	.010	.5	400	T018
2N3600	NPN	.200	.050	30	15	3	20	.002	6	850	T072
2N3634	PNP	1.00	1.00	140	140	5	50	.050	10	150	T039
2N3635	PNP	1.00	1.00	140	140	5	100	.050	10	200	T039
2N3636	PNP	1.00	1.00	175	175	5	50	.050	10	150	T039
2N3637	PNP	1.00	1.00	175	175	5	100	.050	10	200	T039
2N3638	PNP	.300	.500	25	25	4	25	.010	10	100	T0105
2N3638A	PNP	.300	.500	25	25	4	100	.010	10	150	T0105
2N3639	PNP	.200	.800	6	6	4	20	.050	1	500	T0106
2N3641	NPN	.350	.500	60	30	5	40	.150	10	150	T0106
2N3642	NPN	.350	.500	60	45	5	40	.150	10	150	T0105
2N3643	NPN	.350	.500	60	30	5	100	.150	10	250	T0105
2N3644	PNP	.300	.500	45	45	5	80	.001	10	200	T0105
2N3645	PNP	.300	.500	60	60	5	80	.001	10	200	T0105
2N3665	NPN	5.00	1.00	120	80	8	40	.150	10	60	T039
2N3666	NPN	5.00	1.00	120	80	8	100	.150	10	60	T039
2N3667	NPN	117	15.0	50	50	5	15	8.00	3	0.5	T03
2N3671	PNP	.600	.600	60	50	.5	55	.010	10	200	T039
2N3675	NPN	8.80	3.00	90	55	7	12	1.00	10	1	T039
2N3676	NPN	8.80	3.00	90	90	7	12	1.00	1	1	T039
2N3678	NPN	.800	.800	75	55	6	40	.150	10	250	T039
2N3681	NPN	.200	.025	10	7	2	20	.002	6	1000	T072
2N3683	NPN	.200	.030	30	12	2	30	.008	10	1000	T072
2N3691	NPN	.200	.030	35	20	4	40	.005	10	200	T0106
2N3692	NPN	.200	.030	35	20	4	100	.005	10	200	T0106
2N3693	NPN	.200	.030	45	45	4	40	.010	10	200	T0106
2N3701	NPN	.500	1.00	140	80	7	30	.001	5	80	T018
2N3712	NPN	.800	2.00	140	150	5	25	.030	10	40	T039

**TO3**

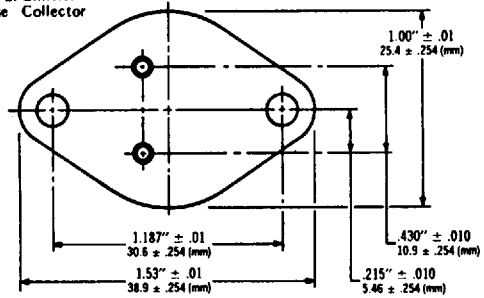


**TO3-MOD**

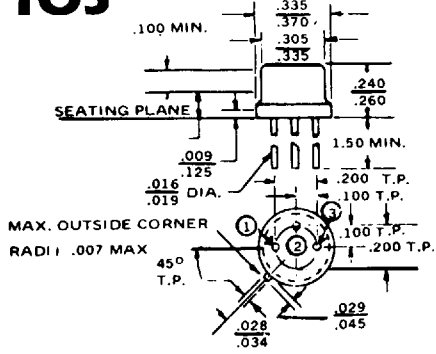
Case TO3 MODIFIED  
(.050" Pin Dia.)



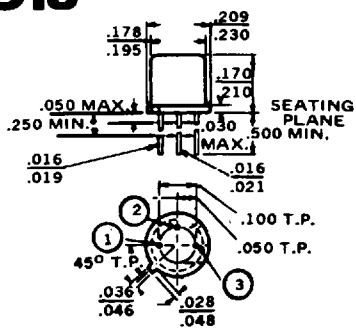
Pin 1. Base  
2. Emitter  
Case Collector



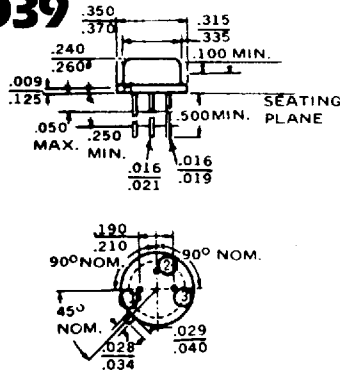
**TO5**



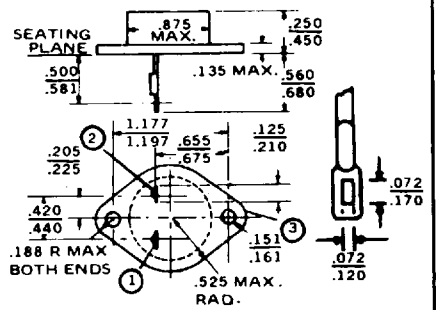
**TO18**



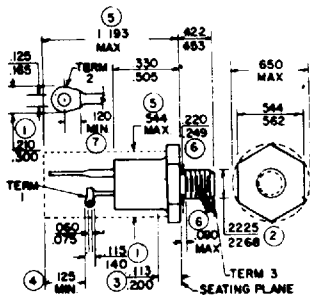
**TO39**



**TO41**



**TO48**



**TO61**

