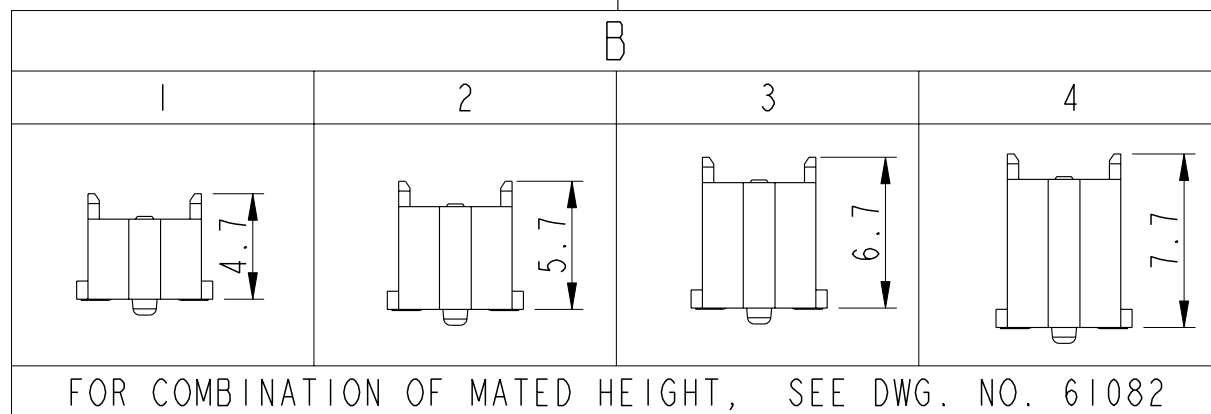


61083- AA B C D E FF

AA	NO. OF POSITIONS
04	2X20
06	2X30
08	2X40
10	2X50
12	2X60
14	2X70
16	2X80
18	2X90
20	2X100



E	PACKAGING
0	TUBE WITHOUT METAL CAP
2	T&R WITH METAL CAP
9	TUBE WITH METAL CAP
6	T&R WITHOUT METAL CAP (WITH KAPTON TAPE)

D	POLARIZATION PEG	HOLD DOWN
0	YES	NO
2	NO	NO

C	PLATING	FF
0	GOLD 0.2um MIN. / TIN LEAD SOLDER TAIL NICKEL UNDERPLATE OVERALL 1.27um MIN	NONE
1	GOLD FLASH (0.1um MIN) OVER PALLADIUM-NICKEL 0.76um MIN /TIN LEAD SOLDER NICKEL UNDERPLATE OVERALL 1.27um.	NONE
4	GOLD 0.2um MIN / PURE MATT TIN SOLDER TAIL NICKEL UNDERPLATE OVERALL 1.27um. (LEADFREE PLATING)	LF (NOTE 6 & 8)
5	GOLD 0.38um MIN /PURE MATT TIN SOLDER TAIL NICKEL UNDERPLATE OVERALL 1.27UM MIN (LEADFREE PLATING)	LF (NOTE 6)
6	GOLD FLASH (0.1um MIN) OVER PALLADIUM-NICKEL 0.76um MIN / PURE MATT TIN SOLDER TAIL NICKEL UNDERPLATE OVERALL 1.27um. (LEADFREE PLATING)	LF (NOTE 6 & 8)

NOTE:

- MATERIAL:  
HOUSING: G.F. LCP, UL94-V0  
TERMINAL: BRASS
- PLATING:  
AS SHOWN IN TABLE.
- SEE GS-12-547 FOR PRODUCT SPEC.
- SEE GS-14-551 AND GS-14-816 FOR PACKAGING SPEC.
- PACKAGING OPTION 2: NOT ALL SIZES ARE AVAILABLE. CHECK WITH FACTORY.
- THIS PRODUCT MEETS THE EUROPEAN UNION DIRECTIVES AND OTHER COUNTRY REGULATIONS AS DESCRIBED IN GS-22-008.
- THE HOUSING WILL WITHSTAND EXPOSURE UP TO 260° PEAK TEMPERATURE FOR 30 SECONDS IN A CONVECTION, INFRA-RED OR VAPOR PHASE REFLOW OVEN.
- PLATING OPTION "4" IS LEADFREE ALTERNATIVE FOR OPTION "0", AND OPTION "6" IS LEADFREE ALTERNATIVE FOR OPTION "1".
- HIGH PRECISION COPLANARITY IS AVAILABLE FOR 2X80 TO 2X100 POS, ALL HEIGHTS. PLS REFER TO PRINT 10069525.
- A SYMBOL WILL BE NEXT TO ANY DIMENSION, VIEW OR NOTE WHICH HAS BEEN MODIFIED WITH THE CURRENT DRAWING REVISION.

PDF Support



Copyright FCI.

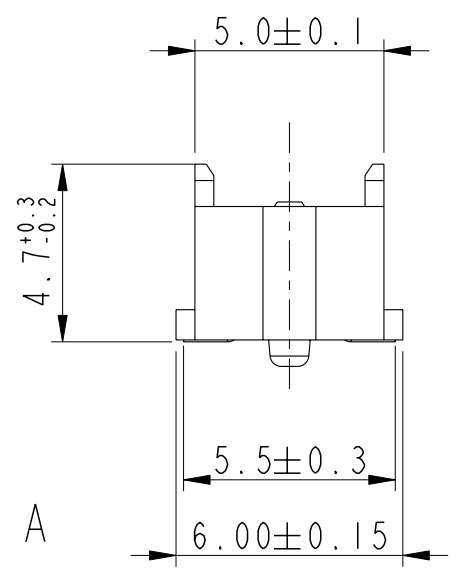
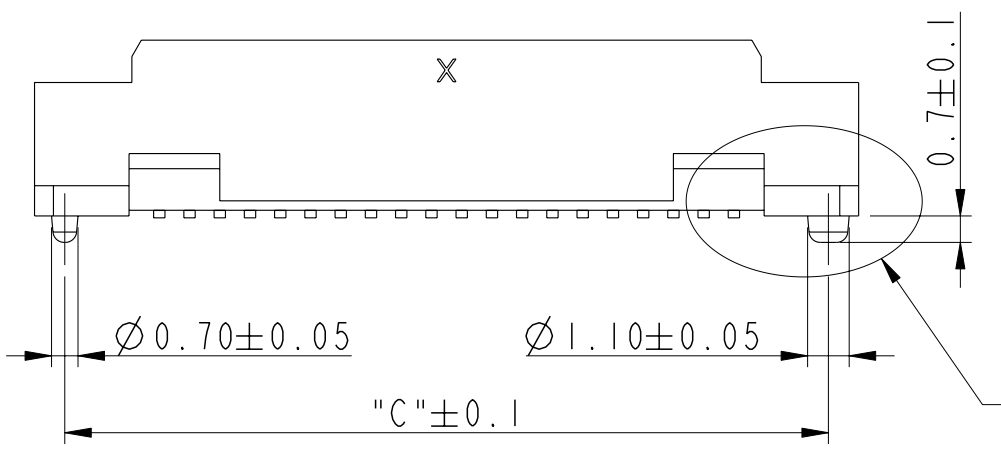
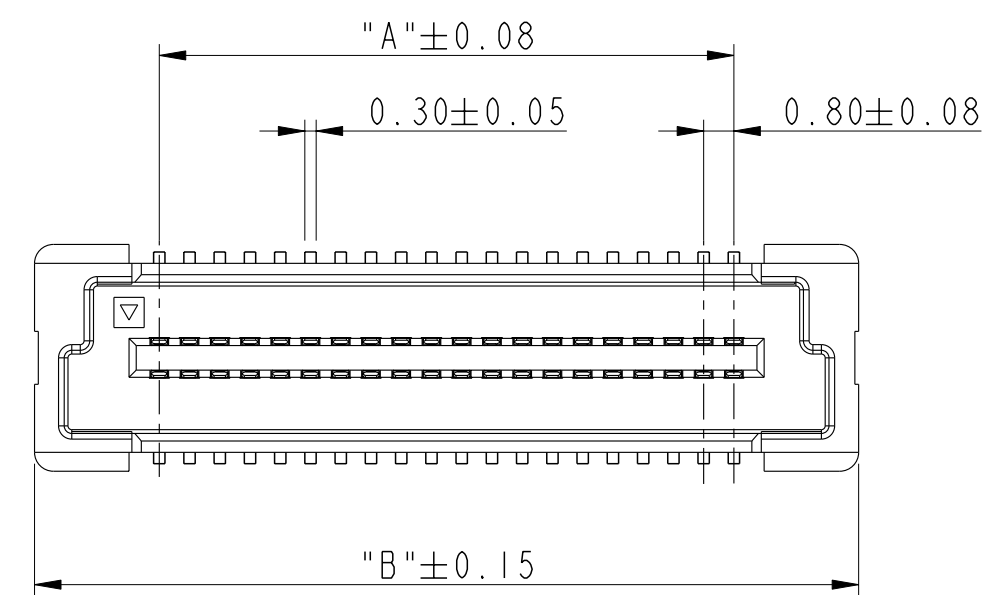
spec ref	dr	MAGGIE WU	1999-03-24	projection	mm	size	A3	scale	3:1
tolerance std	eng	YU WEN CHU	1999-03-24		←→	ecn no	S10-0210	rel level	RELEASE
ISO 406 ISO 1101	chr	M CHEONG	2010-09-29						
surface	linear	0.X	±0.2		title	BERGSTAK 0.8mm BTB	dwg no	61083	rev
		0.XX	±0.15						
		0.XXX	±0.10						
ISO 1302	angular	0°	±2°	www.fci.com	cat. no.	-	CUSTOMER	sheet 1 of 6	

PRODUCT NO.	NO. OF POSITION	DIMENSION		
		A	B	C
61083-041***	2X20	15.2	21.8	20.2
61083-061***	2X30	23.2	29.8	28.2
61083-081***	2X40	31.2	37.8	36.2
61083-101***	2X50	39.2	45.8	44.2
61083-121***	2X60	47.2	53.8	52.2
61083-141***	2X70	55.2	61.8	60.2
61083-161***	2X80	63.2	69.8	68.2
61083-181***	2X90	71.2	77.8	76.2
61083-201***	2X100	79.2	85.8	84.2

COPLANARITY OF TAIL:  
0.1 MAX. APPLIED TO 2X20 TO 2X100 POS

DETAIL A  
SCALE 10:1

AC



PLUG 1

spec ref	dr	MAGGIE WU	1999-03-24	projection	mm	size	A3	scale	3:1
tolerance std	eng	YU WEN CHU	1999-03-24			ecn no	SI0-0210	rel level	RELEASE
ISO 406 ISO 1101	chr	M CHEONG	2010-09-29						
surface	linear	0.X	±0.2		title BERGSTAK 0.8mm BTB PLUG ASSY	dwg no 61083	rev AC	ISO 1302	
		0.XX	±0.15					angular	0°



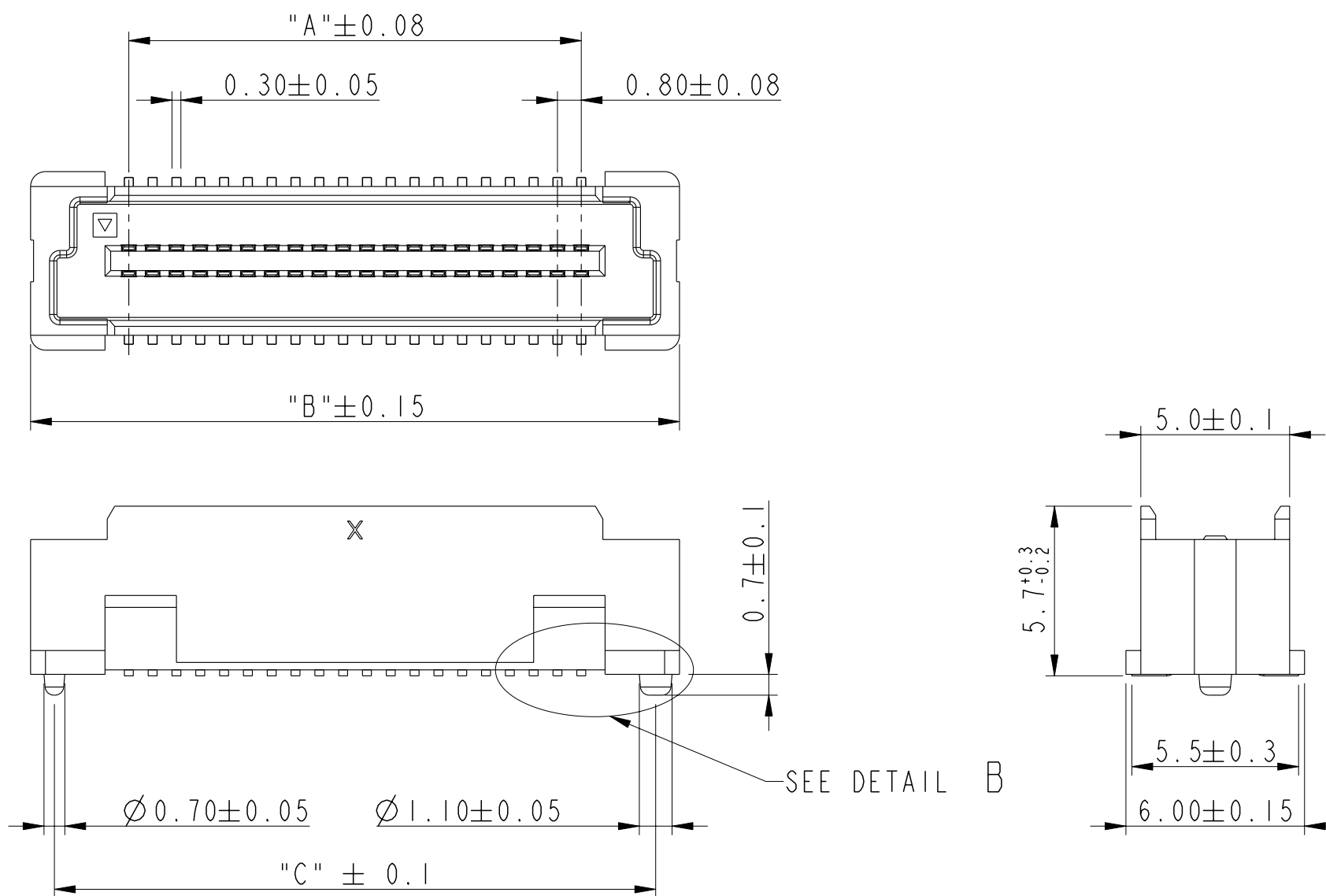
Copyright FCI.

PRODUCT NO.	NO. OF POSITION	DIMENSION		
		A	B	C
61083-042***	2X20	15.2	21.8	20.2
61083-062***	2X30	23.2	29.8	28.2
61083-082***	2X40	31.2	37.8	36.2
61083-102***	2X50	39.2	45.8	44.2
61083-122***	2X60	47.2	53.8	52.2
61083-142***	2X70	55.2	61.8	60.2
61083-162***	2X80	63.2	69.8	68.2
61083-182***	2X90	71.2	77.8	76.2
61083-202***	2X100	79.2	85.8	84.2

COPLANARITY OF TAIL  
0.1 MAX. APPLIED TO 2X20 TO 2X100 POS

DETAIL B  
SCALE 10:1

AC



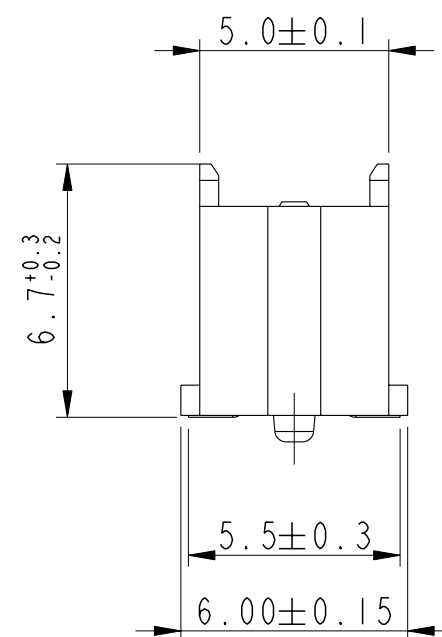
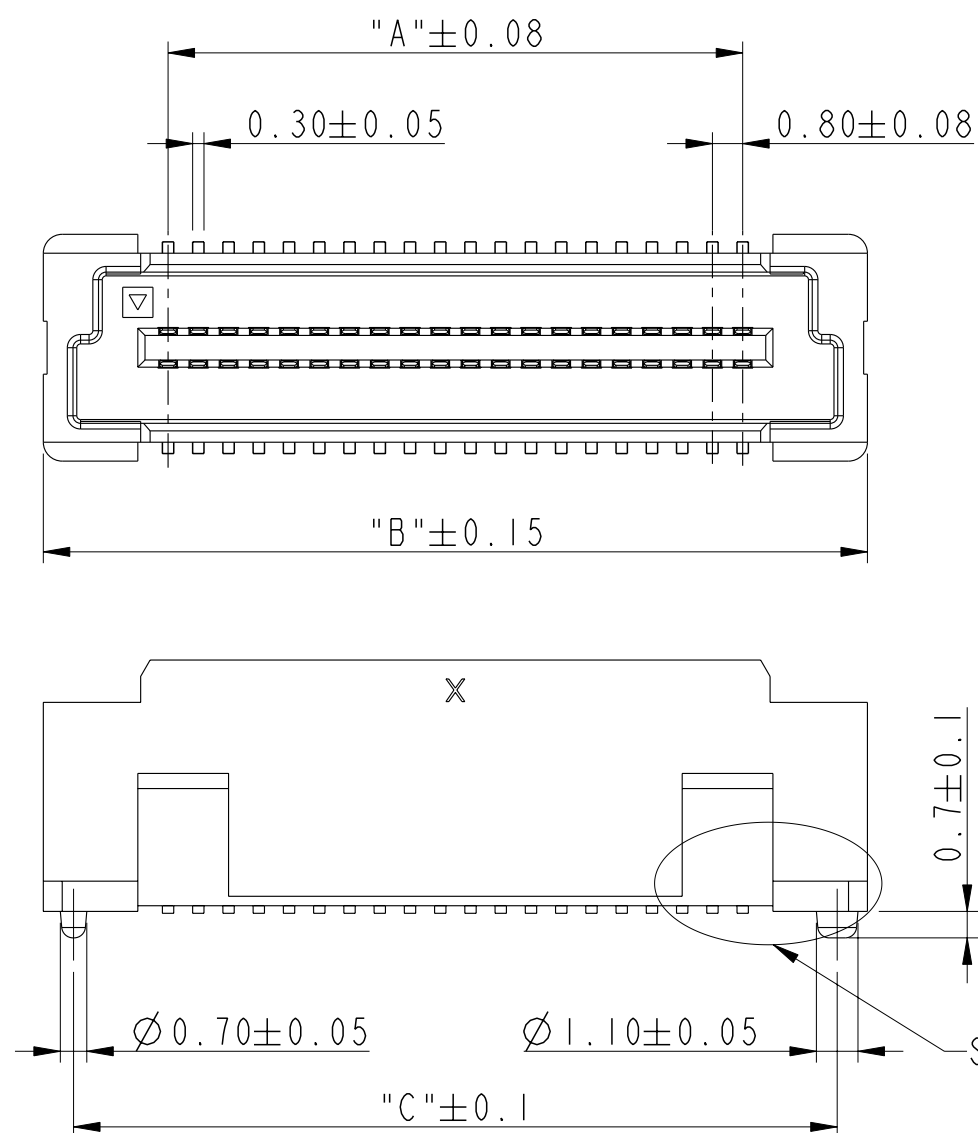
Copyright FCI. FCI

spec ref	dr	MAGGIE WU	1999-03-24	projection	mm	size	A3	scale	3:1
tolerance std	eng	YU WEN CHU	1999-03-24			ecn no	S10-0210	rel level	RELEASE
ISO 406 ISO 1101	chr	M CHEONG	2010-09-29						
surface	linear	0.X	±0.2		title BERGSTAK 0.8mm BTB PLUG ASSY	dwg no 61083	rev AC	CUSTOMER	
		0.XX	±0.15					cat. no.	-
ISO 1302	angular	0°	±2°	www.fci.com					

PRODUCT NO.	NO. OF POSITION	DIMENSION		
		A	B	C
61083-043***	2X20	15.2	21.8	20.2
61083-063***	2X30	23.2	29.8	28.2
61083-083***	2X40	31.2	37.8	36.2
61083-103***	2X50	39.2	45.8	44.2
61083-123***	2X60	47.2	53.8	52.2
61083-143***	2X70	55.2	61.8	60.2
61083-163***	2X80	63.2	69.8	68.2
61083-183***	2X90	71.2	77.8	76.2
61083-203***	2X100	79.2	85.8	84.2

COPLANARITY OF TAIL:  
0.1 MAX. APPLIED TO 2X20 TO 2X100 POS

DETAIL C  
SCALE 10:1



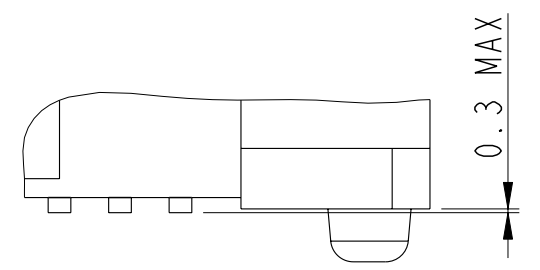
PLUG 3

spec ref	dr	MAGGIE WU	1999-03-24	projection	mm	size	A3	scale	3:1
tolerance std	eng	YU WEN CHU	1999-03-24			ecn no	SI0-0210	rel level	RELEASE
ISO 406 ISO 1101	chr	M CHEONG	2010-09-29						
surface <input checked="" type="checkbox"/> linear ISO 1302	TOLERANCES UNLESS OTHERWISE SPECIFIED 0.X ±0.2 0.XX ±0.15 0.XXX ±0.10 angular 0° ±2°	appr	JOEY NG	2010-09-29	product family	BERGSTAK			
				title	BERGSTAK 0.8mm BTB		dwg no	61083	
www.fci.com		cat. no.				CUSTOMER		sheet 4 of 6	



Copyright FCI.

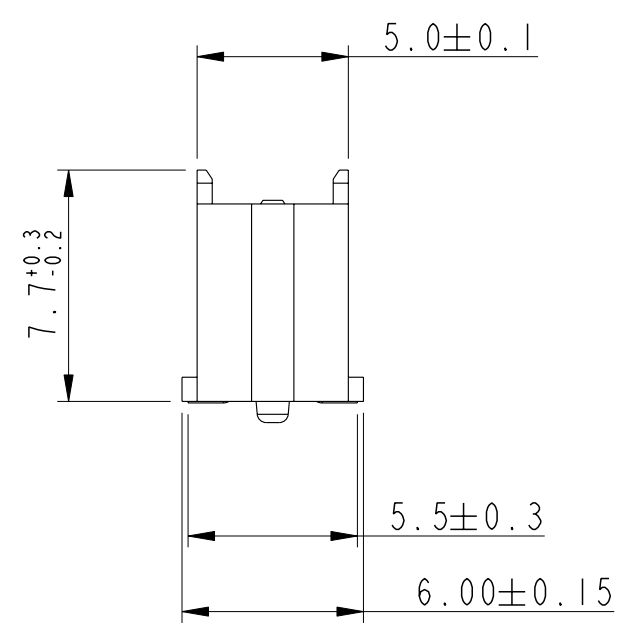
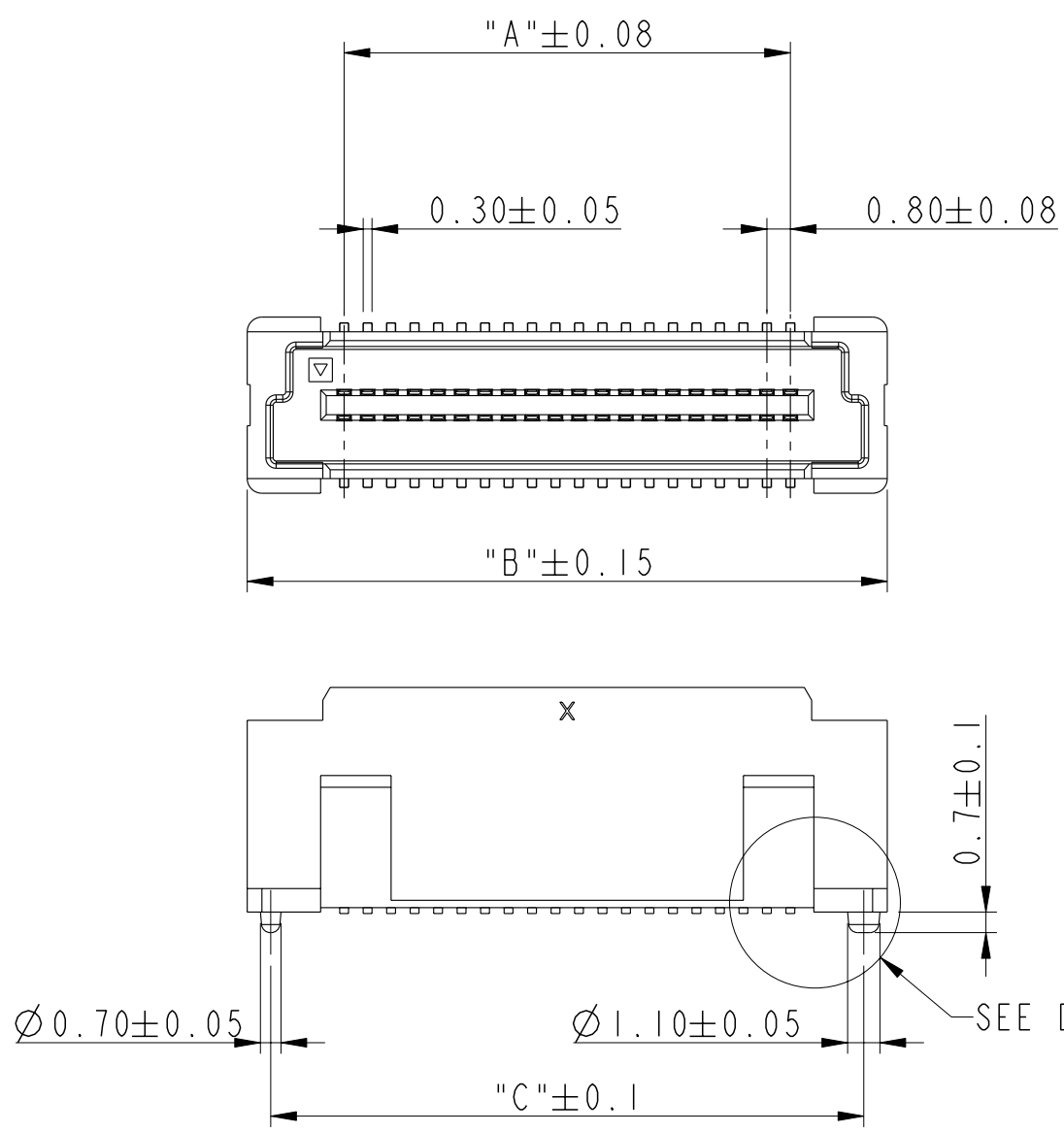
PRODUCT NO.	NO. OF POSITION	DIMENSION		
		A	B	C
61083-042***	2X20	15.2	21.8	20.2
61083-062***	2X30	23.2	29.8	28.2
61083-082***	2X40	31.2	37.8	36.2
61083-102***	2X50	39.2	45.8	44.2
61083-122***	2X60	47.2	53.8	52.2
61083-142***	2X70	55.2	61.8	60.2
61083-162***	2X80	63.2	69.8	68.2
61083-182***	2X90	71.2	77.8	76.2
61083-202***	2X100	79.2	85.8	84.2



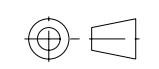
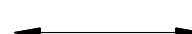

COPLANARITY OF TAIL:  
0.1 MAX. APPLIED TO 2X20 TO 2X100 POS

DETAIL D  
SCALE 10:1

AC



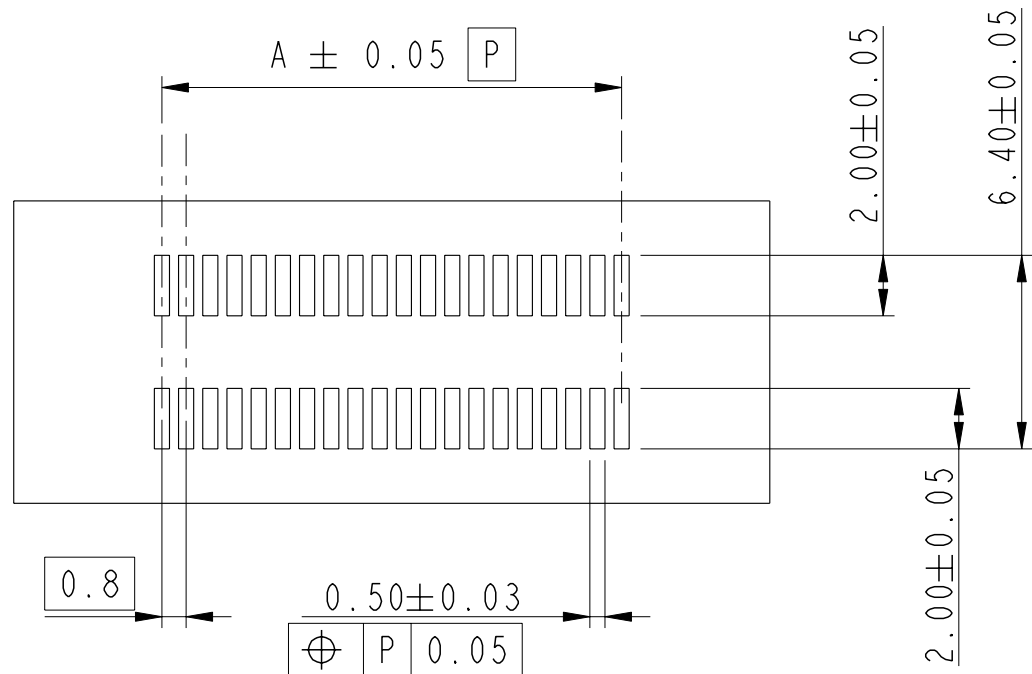
PLUG 4

spec ref	dr	MAGGIE WU	1999-03-24	projection	mm	size	A3	scale	3:1
tolerance std	eng	YU WEN CHU	1999-03-24			ecn no	S10-0210	rel level	RELEASE
ISO 406 ISO 1101	chr	M CHEONG	2010-09-29						
surface	linear	0.X	±0.2		title BERGSTAK 0.8mm BTB PLUG ASSY	dwg no 61083	rev AC	CUSTOMER	
		0.XX	±0.15						
ISO 1302	angular	0°	±2°						

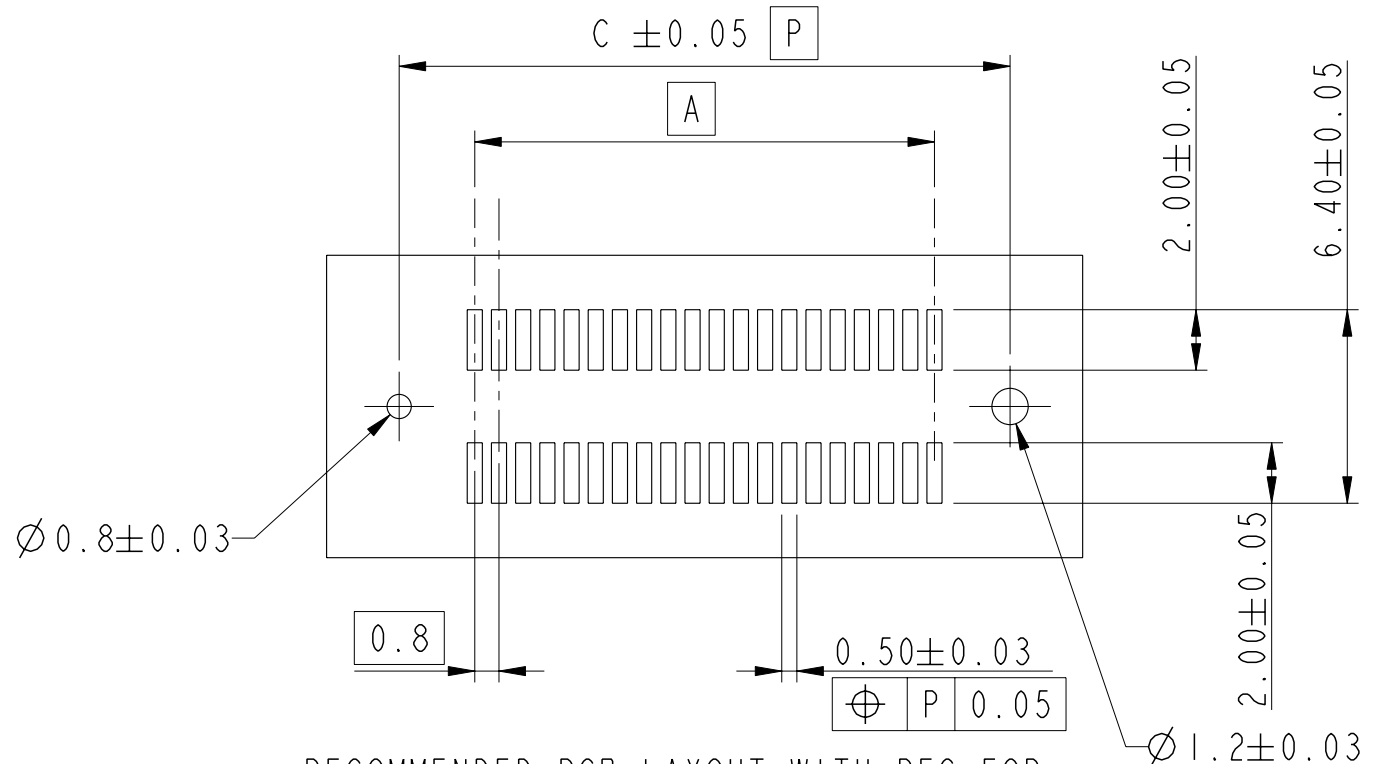


Copyright FCI.

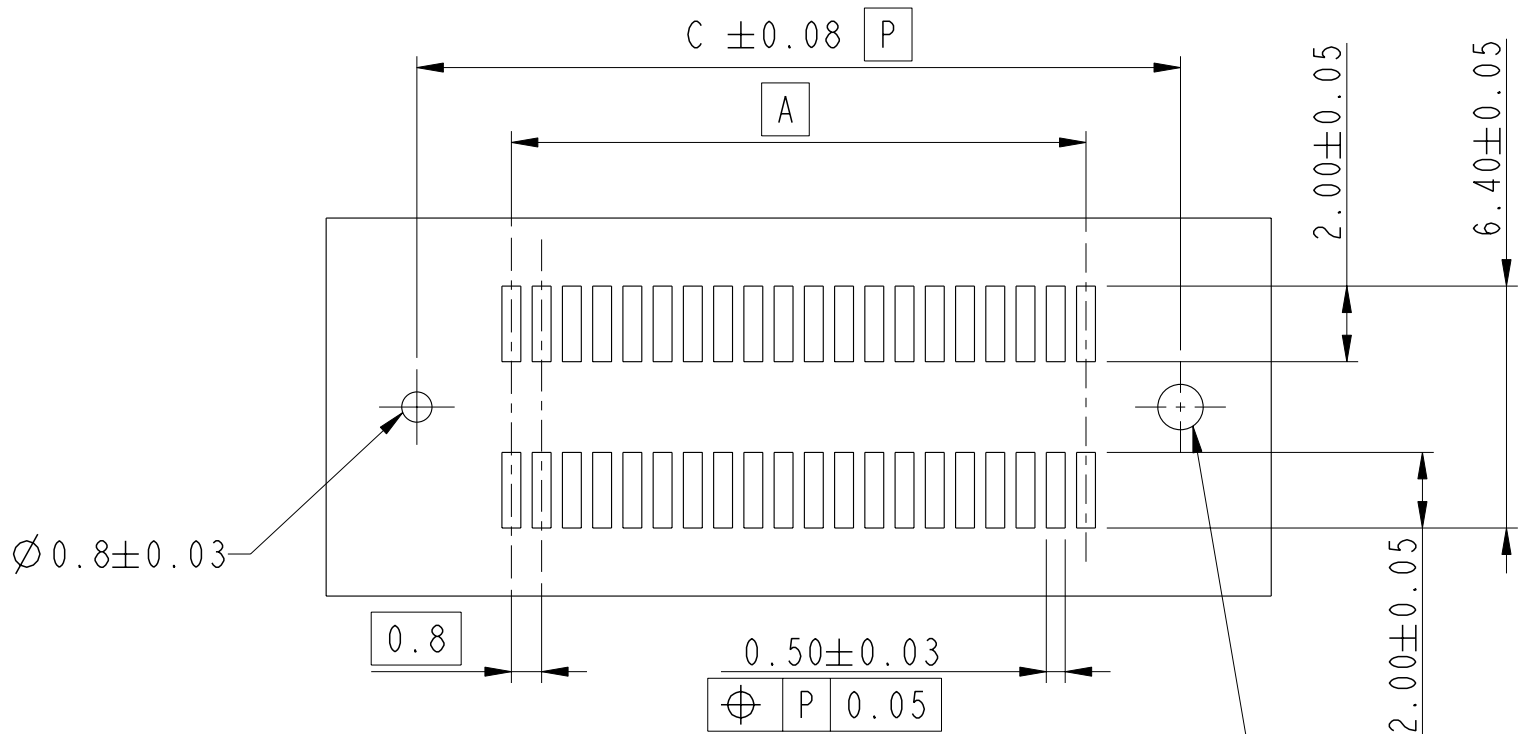
FOR PLUG 1/2/3/4



RECOMMENDED PCB LAYOUT WITHOUT PEG AND HOLDDOWN FOR NO. OF POS 2X20, 2X30, 2X40, 2X50 2X60



RECOMMENDED PCB LAYOUT WITH PEG FOR NO. OF POS 2X20, 2X30, 2X40, 2X50 2X60



RECOMMENDED PCB LAYOUT WITH PEG FOR NO. OF POS 2X70, 2X80, 2X90, 2X100



Copyright FCI.

spec ref		dr	MAGGIE WU	1999-03-24	projection 	mm 	size	A3	scale	3:1
tolerance std		eng	YU WEN CHU	1999-03-24			ecn no	SI0-0210		
ISO 406 ISO 1101		chr	M CHEONG	2010-09-29						
TOLERANCES UNLESS OTHERWISE SPECIFIED		appr	JOEY NG	2010-09-29			product family	BERGSTAK	rel level	RELEASE
surface	linear	0.X	±0.2	FCI 	title	BERGSTAK 0.8mm BTB	dwg no	61083	rev	AC
		0.XX	±0.15							
0.XXX	±0.10									
ISO 1302	angular	0°	±2°	www.fci.com	cat. no.	-	CUSTOMER	sheet 6 of 6		