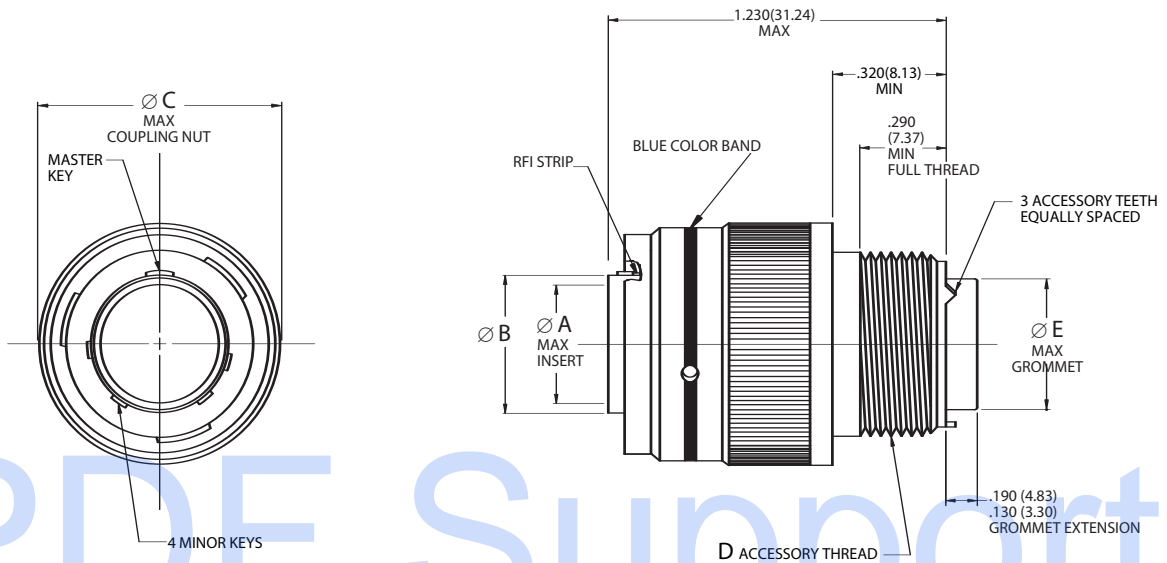




Bayonet Coupling, Crimp Removable, Rear Release



PDF.Support

Page 71	Completed Part Number
Page 80	Contacts, Sealing Plugs and Tools
Pages 84, 85	Insert Arrangements
Page 70	Performance Specifications
Pages 82, 83	Insert Availability and Contact Information
Page 82	Polarization

Shell Size	Ø A		Ø B		Ø C		D	Ø E	
	Maximum		±.003	±.08	Maximum			Accessory Thread Class 2A	Maximum
	inch	mm	inch	mm	inch	mm	inch		mm
8	.285	7.24	.355	9.02	.782	19.86	1/2-20UNF	.305	7.75
10	.402	10.21	.483	12.27	.926	23.52	5/8-24UNEF	.405	10.29
12	.516	13.11	.595	15.11	1.043	26.49	3/4-20UNEF	.531	13.49
14	.641	16.28	.720	18.29	1.183	30.05	7/8-20UNEF	.665	16.89
16	.766	19.46	.845	21.46	1.305	33.15	1-20UNEF	.790	20.07
18	.855	21.72	.945	24.00	1.391	35.33	1-1/16-18UNEF	.869	22.07
20	.980	24.89	1.070	27.18	1.531	38.89	1-3/16-18UNEF	.994	25.25
22	1.105	28.07	1.195	30.35	1.656	42.06	1-5/16-18UNEF	1.119	28.42
24	1.229	31.22	1.320	33.53	1.777	45.14	1-7/16-18UNEF	1.244	31.60