

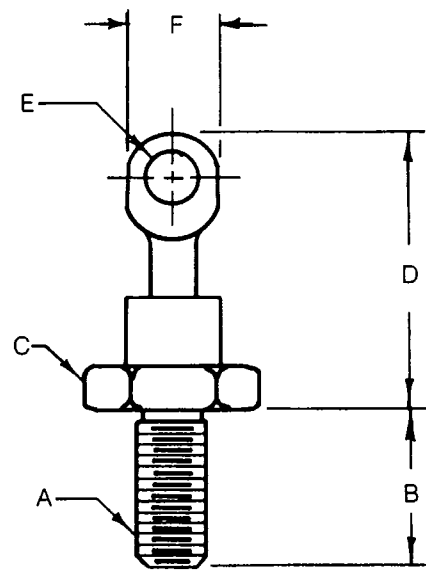
Silicon Power Rectifiers

6 AMP - DO4

| JEDEC Numbers | Peak Reverse Voltage |
|--|----------------------|
| 1N1341, 1N1341A, 1N1341B, 1N1581, 1N1612, 1N2228, 1N2491 | 50 |
| 1N1342, 1N1342A, 1N1342B, 1N1582, 1N1613, 1N2492 | 100 |
| 1N1343, 1N1343A, 1N1343B | 150 |
| 1N1124, 1N1344, 1N1344A, 1N1344B, 1N1583, 1N1614, 1N2230, 1N2493 | 200 |
| | 250 |
| 1N1125, 1N1345, 1N1345A, 1N1345B, 1N1584, 1N2232, 1N2494 | 300 |
| | 350 |
| 1N1126, 1N1346, 1N1346A, 1N1346B, 1N1585, 1N1615, 1N2234, 1N2495 | 400 |
| | 450 |
| 1N1127, 1N1347, 1N1347A, 1N1347B, 1N1586, 1N2236, 1N2496 | 500 |
| 1N1128, 1N1348, 1N1348A, 1N1348B, 1N1587, 1N1616, 1N2238, 1N2497 | 600 |
| | 700 |
| 1N2240 | 800 |

12 AMP - DO4

| JEDEC Numbers | Peak Reverse Voltage |
|---|----------------------|
| 1N1199, 1N1199A, 1N2246, 1N3615 | 50 |
| 1N1200, 1N1200A, 1N2248, 1N3616 | 100 |
| 1N1201, 1N1201A, 1N3617 | 150 |
| 1N1202, 1N1202A, 1N2250, 1N2784, 1N3618, 1N3964, 1N4506 | 200 |
| | 250 |
| 1N1203, 1N1203A, 1N2252, 1N3619 | 300 |
| | 350 |
| 1N1204, 1N1204A, 1N2254, 1N2785, 1N3620, 1N3965, 1N4507 | 400 |
| | 450 |
| 1N1205, 1N1205A, 1N2256, 1N3621 | 500 |
| 1N1206, 1N1206A, 1N2258, 1N3622, 1N3966, 1N4508 | 600 |
| | 700 |
| 1N3670, 1N3670A | 700 |
| 1N2260, 1N3623, 1N3671, 1N3671A, 1N3967, 1N4509 | 800 |
| 1N3672, 1N3672A | 900 |
| | 1000 |
| 1N2262, 1N3624, 1N3673, 1N3673A, 1N4510 | 1100 |
| | 1200 |
| 1N4511, 1N5331 | 1200 |



| Dim. | Inches | | Millimeters | | Notes |
|------|---------|---------|-------------|---------|-------|
| | Minimum | Maximum | Minimum | Maximum | |
| A | | | | | 1 |
| B | .44 | .47 | 11.11 | 11.89 | |
| C | .42 | .44 | 10.77 | 11.10 | 2 |
| D | — | .72 | — | 18.26 | |
| E | .09 | — | 1.52 | — | |
| F | — | .20 | — | 5.16 | |

Note 1:
No. 10-32 UNF-2A

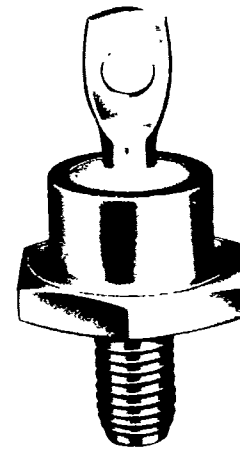
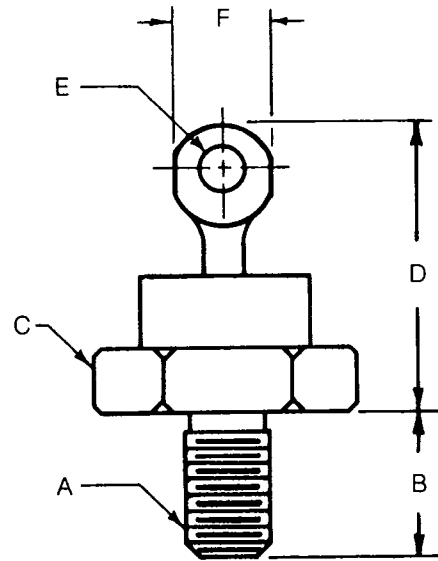
Note 2:
Hex. Across Flats

Silicon Power Rectifiers

18 AMP - DO5

| JEDEC Numbers | Peak Reverse Voltage |
|---------------------------------|----------------------|
| 1N248, 1N1191, 1N1191A, 1N2793 | 50 |
| 1N249, 1N1192, 1N1192A, 1N2794 | 100 |
| 1N1193, 1N1193A, 1N2021, 1N2795 | 150 |
| 1N250, 1N1194, 1N1194A, 1N2796 | 200 |
| 1N2022, 1N2797 | 250 |
| 1N1195, 1N1195A, 1N2023, 1N2798 | 300 |
| 1N2024, 1N2799 | 350 |
| 1N1196, 1N1196A, 1N2025, 1N2800 | 400 |
| | 450 |
| 1N1197, 1N1197A | 500 |
| 1N1198, 1N1198A | 600 |

| JEDEC Numbers | Peak Reverse Voltage |
|--|----------------------|
| 1N248A, 1N248B, 1N248C, 1N1301, 1N1434, 1N2154, 1N3208 | 50 |
| 1N249A, 1N249B, 1N249C, 1N1302, 1N1435, 1N2155, 1N3209 | 100 |
| | 150 |
| 1N250A, 1N250B, 1N250C, 1N1304, 1N1436, 1N2156, 1N3210 | 200 |
| | 250 |
| 1N1306, 1N2157, 1N3211 | 300 |
| | 350 |
| 1N1437, 1N2158, 1N3212 | 400 |
| | 450 |
| 1N2159 | 500 |
| 1N1438, 1N2160 | 600 |



| Dim | Inches | | Millimeters | | Notes |
|-----|---------|---------|-------------|---------|-------|
| | Minimum | Maximum | Minimum | Maximum | |
| A | | | | | 1 |
| B | .44 | .468 | 11.11 | 11.89 | |
| C | .67 | .69 | 16.94 | 17.46 | 2 |
| D | — | 1.00 | — | 25.40 | |
| E | .15 | .19 | 3.81 | 4.69 | |
| F | — | .28 | — | 7.14 | |

Note 1:
1/4"-28 UNF-2A

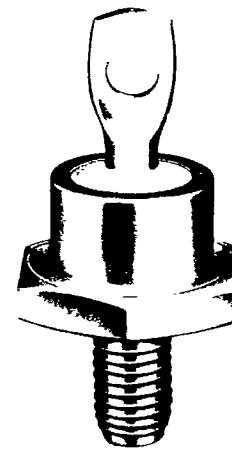
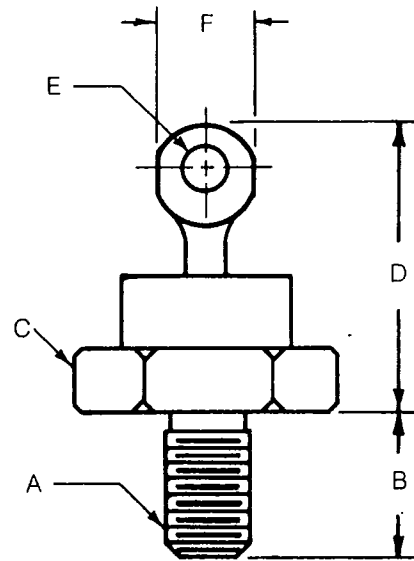
Note 2:
Across Flats

Silicon Power Rectifiers

35 AMP - DO 5

| JEDEC Numbers | Peak Reverse Voltage |
|--|----------------------|
| 1N1183, 1N2458 | 50 |
| 1N1184, 1N2459 | 100 |
| 1N1185, 1N2460 | 150 |
| 1N1186, 1N2461, 1N2788, 1N3968, 1N4525 | 200 |
| 1N2462 | 250 |
| 1N1187, 1N2282, 1N2463 | 300 |
| 1N2464 | 350 |
| 1N1188, 1N2283, 1N2465, 1N2789, 1N3969, 1N4526 | 400 |
| | 450 |
| 1N1189, 1N2284, 1N2466 | 500 |
| 1N1190, 1N2285, 1N2467, 1N3970, 1N4527 | 600 |
| 1N3765 | 700 |
| 1N2286, 1N3766, 1N3971, 1N4528 | 800 |
| 1N3767 | 900 |
| 1N2287, 1N3768, 1N4529 | 1000 |
| | 1100 |
| 1N2288, 1N4530, 1N5332 | 1200 |

| JEDEC Numbers | Peak Reverse Voltage |
|-----------------|----------------------|
| 1N1183A, 1N2128 | 50 |
| 1N1184A, 1N2129 | 100 |
| 1N1185A, 1N2130 | 150 |
| 1N1186A, 1N2131 | 200 |
| 1N2132 | 250 |
| 1N1187A, 1N2133 | 300 |
| 1N2134 | 350 |
| 1N1188A, 1N2135 | 400 |
| 1N2136 | 450 |
| 1N1189A, 1N2137 | 500 |
| 1N1190A, 1N2138 | 600 |



| Dim | Inches | | Millimeters | | Notes |
|-----|---------|---------|-------------|---------|-------|
| | Minimum | Maximum | Minimum | Maximum | |
| A | | | | | 1 |
| B | 44 | 47 | 11.11 | 11.89 | |
| C | 67 | 69 | 16.94 | 17.46 | 2 |
| D | — | 1.00 | — | 25.40 | |
| E | 15 | 18 | 3.81 | 4.69 | |
| F | — | 28 | — | 7.14 | |

Note 1:
1/4"-28 UNF-2A

Note 2:
Across Flats

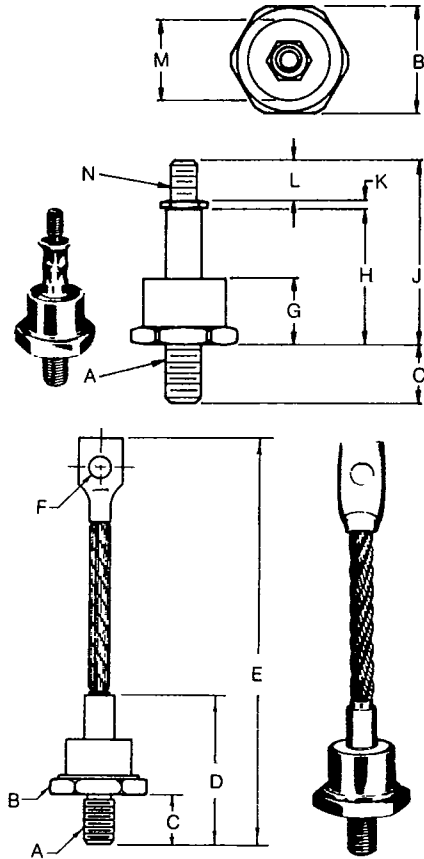
Silicon Power Rectifiers

100 AMP - DO 8

| JEDEC Numbers | Peak Reverse Voltage |
|--|----------------------|
| 1N411B, 1N1396, 1N2426, 1N2436, 1N3139 | 50 |
| 1N412B, 1N1397, 1N2427, 1N2437, 1N3140, 1N3288, 1N4878 | 100 |
| 1N1398, 1N2428, 1N2438, 1N3141 | 150 |
| 1N413B, 1N1399, 1N2429, 1N2439, 1N3142, 1N3289, 1N3972 | 200 |
| 1N2430, 1N2440 | 250 |
| 1N1400, 1N2431, 1N2441, 1N3290 | 300 |
| 1N2432, 1N2442 | 350 |
| 1N1401, 1N2433, 1N2443, 1N3291, 1N3973 | 400 |
| | 450 |
| 1N1402, 1N2434, 1N2444, 1N3292 | 500 |
| 1N1403, 1N2435, 1N2445, 1N3293, 1N3974 | 600 |
| | 700 |
| 1N3294, 1N3975 | 800 |
| | 900 |
| 1N3295 | 1000 |
| | 1100 |
| 1N3296 | 1200 |

150 AMP - DO 8

| JEDEC Numbers | Peak Reverse Voltage |
|-----------------|----------------------|
| | 50 |
| 1N3288A, 1N4587 | 100 |
| | 150 |
| 1N3289A, 1N4588 | 200 |
| | 250 |
| 1N3290A, 1N4589 | 300 |
| | 350 |
| 1N3291A, 1N4590 | 400 |
| | 450 |
| 1N3292A, 1N4591 | 500 |
| 1N3293A, 1N4592 | 600 |
| | 700 |
| 1N3294A, 1N4593 | 800 |
| | 900 |
| 1N3295A, 1N4594 | 1000 |
| | 1100 |
| 1N3296A, 1N4595 | 1200 |
| | 1300 |
| 1N4596 | 1400 |



| Dim | Inches | | Millimeters | | Notes |
|-----|---------|---------|-------------|---------|-------|
| | Minimum | Maximum | Minimum | Maximum | |
| A | | | | | 1 |
| B | 1.05 | 1.06 | 26.72 | 26.99 | 2 |
| C | .61 | .63 | 15.37 | 15.88 | |
| D | 1.99 | 2.13 | 50.55 | 53.98 | |
| E | 5.10 | 5.38 | 129.57 | 136.53 | |
| F | .26 | .28 | 6.63 | 7.14 | Dia. |

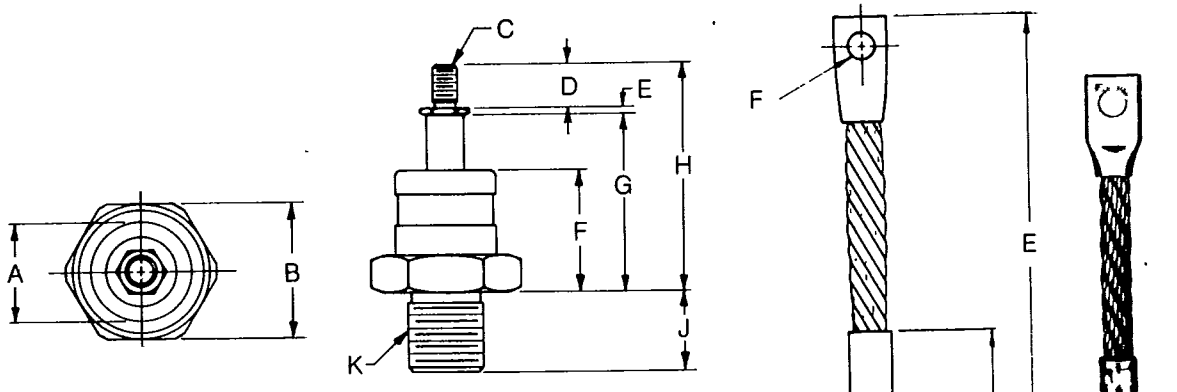
Note 1:
3/8"-24 UNF-2A

Note 2:
Hex. Across Flats

| Dim. | Inches | | Millimeters | | Notes |
|------|---------|---------|-------------|---------|-------|
| | Minimum | Maximum | Minimum | Maximum | |
| G | .744 | .750 | 18.90 | 19.05 | |
| H | 1.38 | 1.50 | 35.05 | 38.1 | |
| J | 1.90 | 2.00 | 48.26 | 50.8 | |
| K | — | .062 | — | 1.57 | |
| L | .430 | .437 | 10.92 | 11.10 | |
| M | .806 | .812 | 20.47 | 20.6 | |
| N | | | | | 3 |

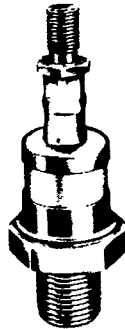
Note 3:
1/4"—28 UNF-2A

Silicon Power Rectifiers



250 AMP - DO 9

| Catalog Number | | Peak Reverse Voltage |
|----------------|---------|----------------------|
| Polarity | | |
| Standard | Reverse | |
| IN4044 | IN4044R | 50 |
| IN4045 | IN4045R | 100 |
| IN4046 | IN4046R | 150 |
| IN4047 | IN4047R | 200 |
| IN4048 | IN4048R | 250 |
| IN4049 | IN4049R | 300 |
| IN4050 | IN4050R | 400 |
| IN4051 | IN4051R | 500 |
| IN4052 | IN4052R | 600 |
| IN4053 | IN4053R | 700 |
| IN4054 | IN4054R | 800 |
| IN4055 | IN4055R | 900 |
| IN4056 | IN4056R | 1000 |



275 AMP - DO 9

| JEDEC Numbers | Peak Reverse Voltage |
|---|----------------------|
| 1N2054, 1N3161 | 50 |
| 1N2055, 1N3162, 1N3735, 1N4880 | 100 |
| 1N2056, 1N3163 | 150 |
| 1N2057, 1N3164, 1N3736, 1N3976 | 200 |
| 1N2058, 1N3165 | 250 |
| 1N2059, 1N3166, 1N3737 | 300 |
| 1N2060, 1N3167 | 350 |
| 1N2061, 1N3168, 1N3738, 1N3977 | 400 |
| 1N2062 | 450 |
| 1N2063, 1N3169, 1N3739 | 500 |
| 1N2064, 1N3170, 1N3740, 1N3978 | 600 |
| 1N2065, 1N3171, 1N3171A | 700 |
| 1N2066, 1N3172, 1N3172A, 1N3741, 1N3979 | 800 |
| 1N2067, 1N3173, 1N3173A | 900 |
| 1N2068, 1N3174, 1N3174A, 1N3742 | 1000 |
| | 1100 |
| 1N3743 | 1200 |

| Dim | Inches | | Millimeters | | Notes |
|-----|---------|---------|-------------|---------|-------|
| | Minimum | Maximum | Minimum | Maximum | |
| A | .96 | 1.0 | 24.4 | 25.4 | |
| B | — | 1.24 | — | 31.5 | |
| C | — | — | — | — | 1 |
| D | .625 | .630 | 15.9 | 16.0 | |
| E | — | .125 | — | 3.18 | |
| F | 1.38 | 1.41 | 35.1 | 35.8 | |
| G | 2.21 | 2.25 | 56.1 | 57.2 | |
| H | 2.96 | 3.00 | 75.2 | 76.2 | |
| I | .807 | .812 | 20.5 | 20.6 | |
| K | — | — | — | — | 2 |

Note 1:
3/8-24 UNF-2A

Note 2:
3/4-16 UNF-2A

| Dim. | Inches | | Millimeters | | Notes |
|------|---------|---------|-------------|---------|-------|
| | Minimum | Maximum | Minimum | Maximum | |
| A | — | — | — | — | 1 |
| B | 1.24 | 1.25 | 31.49 | 31.75 | 2 |
| C | .78 | .81 | 19.86 | 20.64 | |
| D | 2.91 | 2.94 | 73.86 | 74.61 | |
| E | 6.40 | 6.75 | 162.56 | 171.45 | |
| F | .33 | .34 | 8.43 | 8.73 | Dia. |

Note 1:
3/4"-16 UNF-2A

Note 2:
Hex. Across Flats