



Improved, 16-Channel/Dual 8-Channel, CMOS Analog Multiplexers

DG406/DG407

General Description

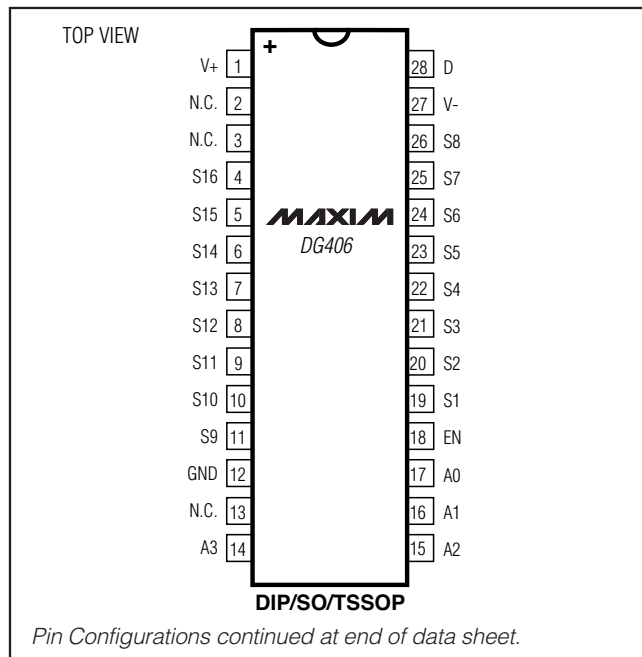
Maxim's redesigned DG406 and DG407 CMOS analog multiplexers now feature guaranteed matching between channels (8Ω, max) and flatness over the specified signal range (9Ω, max). These low on-resistance muxes (100Ω, max) conduct equally well in either direction and feature guaranteed low charge injection (15pC, max). In addition, these new muxes offer low input off-leakage current over temperature—less than 5nA at +85°C.

The DG406 is a 1 of 16 multiplexer/demultiplexer and the DG407 is a dual 8-channel multiplexer/demultiplexer. Both muxes operate with a +5V to +30V single supply and with ±4.5V to ±20V dual supplies. ESD protection is guaranteed to be greater than 2000V per Method 3015.7 of MIL-STD 883. These improved muxes are pin-compatible plug-in upgrades for the industry standard DG406 and DG407.

Applications

- Sample-and-Hold Circuits
- Test Equipment
- Guidance and Control Systems
- Communications Systems
- Data-Acquisition Systems
- Audio Signal Routing

Pin Configurations



Features

- ◆ Pin-Compatible Plug-In Upgrade for Industry Standard DG406/DG407
- ◆ Guaranteed Matching Between Channels, 8Ω (max)
- ◆ Guaranteed On-Resistance Flatness, 9Ω (max)
- ◆ Guaranteed Low Charge Injection, 15pC (max)
- ◆ Low On-Resistance 100Ω (max)
- ◆ Input Leakage, 5nA (max) at +85°C
- ◆ Low Power Consumption, 1.25mW (max)
- ◆ Rail-to-Rail Signal Handling
- ◆ Digital Input Controls TTL/CMOS Compatible
- ◆ ESD Protection >2000V per Method 3015.7

Ordering Information

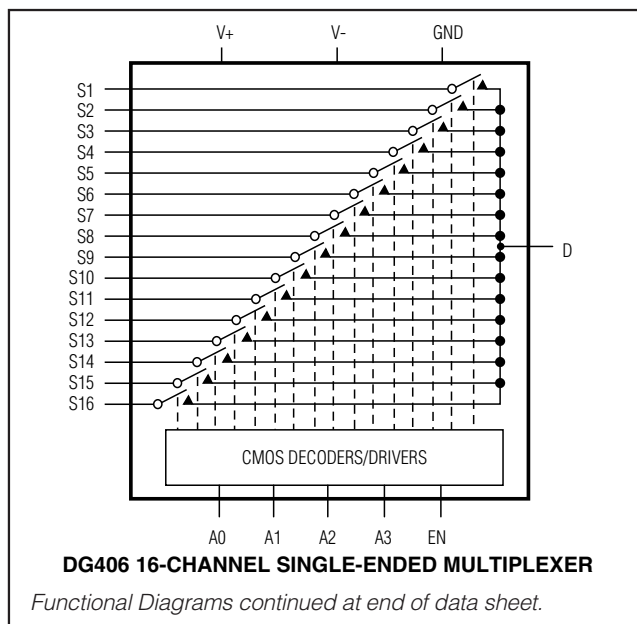
| PART | TEMP RANGE | PIN-PACKAGE |
|-----------|-----------------|----------------|
| DG406CJ+ | 0°C to +70°C | 28 Plastic DIP |
| DG406CWI+ | 0°C to +70°C | 28 Wide SO |
| DG406C/D | 0°C to +70°C | Dice* |
| DG406DJ+ | -40°C to +85°C | 28 Plastic DIP |
| DG406EWI+ | -40°C to +85°C | 28 Wide SO |
| DG406DN+ | -40°C to +85°C | 28 PLCC |
| DG406AK+ | -55°C to +125°C | 28 CERDIP |
| DG406EUI+ | -40°C to +85°C | 28 TSSOP |

Ordering Information continued at end of data sheet.

*Contact factory for dice specifications.

+Denotes a lead(Pb)-free/RoHS-compliant package.

Functional Diagrams



Improved, 16-Channel/Dual 8-Channel, CMOS Analog Multiplexers

ABSOLUTE MAXIMUM RATINGS

(Voltage Referenced to V-)

| | |
|--|---|
| V+ | -0.3V, 44V |
| GND | -0.3V, 25V |
| Digital Inputs, S, D (Note 1)..... | (V- - 2V) to (V+ + 2V) or 30mA (whichever occurs first) |
| Continuous Current (any terminal) | 30mA |
| Peak Current, S or D (pulsed at 1ms, 10% duty cycle max) | 100mA |
| Continuous Power Dissipation (T _A = +70°C) | |
| 28-Pin Plastic DIP (derate 9.09mW/°C above +70°C) .. | 727mW |
| 28-Pin Wide SO (derate 12.50mW/°C above +70°C) ... | 1000mW |
| 28-Pin PLCC (derate 10.53mW/°C above +70°C) | 842mW |

| | |
|---|-----------------|
| 28-Pin CERDIP (derate 16.67mW/°C above +70°C)... | 1333mW |
| 28-Pin TSSOP (derate 12.8mW/°C above +70°C) | 1025mW |
| Operating Temperature Ranges | |
| DG406/DG407C_ | 0°C to +70°C |
| DG406/DG407D_ | -40°C to +85°C |
| DG406/DG407AK | -55°C to +125°C |
| Storage Temperature Range | -65°C to +150°C |
| Lead Temperature (excluding dice; soldering, 10s) | +300°C |
| Soldering Temperature (reflow) | |
| Plastic DIP, Wide SO, TSSOP | +260°C |
| PLCC | +245°C |
| CERDIP, Dice | +240°C |

Note 1: Signals on S₋, D₋, A0, A1, A2, A3, or EN exceeding V+ or V- are clamped by internal diodes. Limit forward current to maximum current ratings.

Stresses beyond those listed under "Absolute Maximum Ratings" may cause permanent damage to the device. These are stress ratings only, and functional operation of the device at these or any other conditions beyond those indicated in the operational sections of the specifications is not implied. Exposure to absolute maximum rating conditions for extended periods may affect device reliability.

ELECTRICAL CHARACTERISTICS—Dual Supplies

(V+ = 15V, V- = -15V, V_{GND} = 0V, V_{AH} = +2.4V, V_{AL} = +0.8V, T_A = T_{MIN} to T_{MAX}, unless otherwise noted.)

| PARAMETER | SYMBOL | CONDITIONS | | MIN | TYP (Note 2) | MAX | UNITS | |
|---|---|---|---|---|--------------|-------|-------|-----|
| SWITCH | | | | | | | | |
| Analog Signal Range | V _{ANALOG} | (Note 3) | | -15 | | +15 | V | |
| Drain-Source On-Resistance | R _{DS(ON)} | I _S = -1.0mA, V _D = ±10V | T _A = +25°C | | 60 | 100 | Ω | |
| | | | T _A = T _{MIN} to T _{MAX} | | | 125 | | |
| On-Resistance Matching Between Channels | ΔR _{DS(ON)} | I _S = -1.0mA, V _D = ±10V (Note 4) | T _A = +25°C | | 1.5 | 8 | Ω | |
| | | | T _A = T _{MIN} to T _{MAX} | | | 10 | | |
| On-Resistance Flatness | R _{FLAT} | I _S = -1.0mA, V _D = ±5V or 0V | T _A = +25°C | | 1.8 | 9 | Ω | |
| | | | T _A = T _{MIN} to T _{MAX} | | | 12 | | |
| Source-Off Leakage Current (Note 5) | I _{S(OFF)} | V _D = +10V, V _S = ±10V, V _{EN} = 0V | T _A = +25°C | -0.5 | +0.01 | +0.5 | nA | |
| | | | T _A = T _{MIN} to T _{MAX} | -5 | | +5 | | |
| | | | | | | | | -50 |
| Drain-Off Leakage Current (Note 5) | I _{D(OFF)} | V _D = ±10V, V _S = +10V, V _{EN} = 0V | DG406 | T _A = +25°C | -1 | +0.02 | +1 | nA |
| | | | | T _A = T _{MIN} to T _{MAX} | -40 | | +40 | |
| | | V _D = +10V, V _S = ±10V, V _{EN} = 0V | DG407 | T _A = +25°C | | | | |
| | | | | T _A = T _{MIN} to T _{MAX} | -20 | | +20 | |
| | | | | -100 | | +100 | | |
| Drain-On Leakage Current (Note 5) | I _{D(ON)} + I _{S(ON)} | V _D = ±10V, V _S = ±10V, sequence each switch on | DG406 | T _A = +25°C | -1 | +0.02 | +1 | nA |
| | | | | T _A = T _{MIN} to T _{MAX} | -40 | | +40 | |
| | | V _D = ±10V, V _S = ±10V, sequence each switch on | DG407 | T _A = +25°C | | | | |
| | | | | T _A = T _{MIN} to T _{MAX} | -20 | | +20 | |
| | | | | -100 | | +100 | | |

Improved, 16-Channel/Dual 8-Channel, CMOS Analog Multiplexers

DG406/DG407

ELECTRICAL CHARACTERISTICS—Dual Supplies (continued)

(V₊ = 15V, V₋ = -15V, V_{GND} = 0V, V_{AH} = +2.4V, V_{AL} = +0.8V, T_A = T_{MIN} to T_{MAX}, unless otherwise noted.)

| PARAMETER | SYMBOL | CONDITIONS | | MIN | TYP (Note 2) | MAX | UNITS |
|---------------------------------------|---|--|---|------------------------|-----------------|------|-------|
| INPUT | | | | | | | |
| Input Current with Input Voltage High | I _{AH} | V _A = 2.4V or 15V | | -1.0 | | +1.0 | μA |
| Input Current with Input Voltage Low | I _{AL} | V _{EN} = 0V or 2.4V, V _A = 0V | | -1.0 | | +1.0 | μA |
| SUPPLY | | | | | | | |
| Power-Supply Range | | | | ±4.5 | | ±20 | V |
| Positive Supply Current | I ₊ | V _{EN} = V _A = 0V or 5.0V | T _A = +25°C | | 16 | 30 | μA |
| | | | T _A = T _{MIN} to T _{MAX} | | | 75 | |
| | | V _{EN} = 2.4V, V _{A(ALL)} = 0V | T _A = +25°C | | 0.075 | 0.5 | mA |
| | | | T _A = T _{MIN} to T _{MAX} | | | 1 | |
| Negative Supply Current | I ₋ | V _{EN} = 2.4V, V _{A(ALL)} = 0V | T _A = +25°C | | -1 | +1 | μA |
| | | | T _A = T _{MIN} to T _{MAX} | | | -10 | |
| DYNAMIC | | | | | | | |
| Transition Time | t _{TRANS} | Figure 2 | T _A = +25°C | | 110 | 300 | ns |
| | | | T _A = T _{MIN} to T _{MAX} | | | 400 | |
| Break-Before-Make Interval | t _{OPEN} | Figure 4 | T _A = +25°C | | 10 | 40 | ns |
| Enable Turn-On Time | t _{ON(EN)} | Figure 3 | T _A = +25°C | | 130 | 200 | ns |
| | | | T _A = T _{MIN} to T _{MAX} | | | 400 | |
| Enable Turn-Off Time | t _{OFF(EN)} | Figure 3 | T _A = +25°C | | 55 | 150 | ns |
| | | | T _A = T _{MIN} to T _{MAX} | | | 300 | |
| Charge Injection (Note 3) | Q | C _L = 1.0nF, V _S = 0V, R _S = 0Ω, Figure 5 | T _A = +25°C | | 2 | 15 | pC |
| Off-Isolation (Note 6) | V _{ISO} | V _{EN} = 0V, R _L = 1kΩ, f = 100kHz, Figure 6 | T _A = +25°C | | -69 | | dB |
| Crosstalk Between Channels | V _{CT} | V _{EN} = 2.4V, f = 100kHz, V _{GEN} = 1VP-P, R _L = 1kΩ, Figure 7 | T _A = +25°C | | -92 | | dB |
| Logic Input Capacitance | C _{IN} | f = 1MHz | T _A = +25°C | | 8 | | pF |
| Source-Off Capacitance | C _{S(OFF)} | f = 1MHz, V _{EN} = V _S = 0V, Figure 8 | T _A = +25°C | | 8 | | pF |
| Drain-Off Capacitance | C _{D(OFF)} | f = 1MHz, V _{EN} = 0.8V, V _D = 0V, Figure 8 | DG406 | T _A = +25°C | 130 | | pF |
| | | | DG407 | | 65 | | |
| Drain-Source On Capacitance | C _{D(ON)} + C _{S(ON)} | f = 1MHz, V _{EN} = 2.4V, V _D = 0V, Figure 8 | DG406 | T _A = +25°C | 140 | | pF |
| | | | DG407 | | 70 | | |

Improved, 16-Channel/Dual 8-Channel, CMOS Analog Multiplexers

ELECTRICAL CHARACTERISTICS—Single Supply

($V_+ = 12V$, $V_- = 0V$, $V_{GND} = 0V$, $V_{AH} = +2.4V$, $V_{AL} = +0.8V$, $T_A = T_{MIN}$ to T_{MAX} , unless otherwise noted.)

| PARAMETER | SYMBOL | CONDITIONS | MIN | TYP (Note 2) | MAX | UNITS |
|----------------------------------|---------------|---|-----|-----------------|-----|----------|
| SWITCH | | | | | | |
| Analog Signal Range | V_{ANALOG} | (Note 3) | 0 | | 12 | V |
| Drain-Source On-Resistance | $R_{DS(ON)}$ | $I_S = -1.0mA$ $V_D = 3V$ or $10V$ | | 120 | 175 | Ω |
| DYNAMIC | | | | | | |
| Transition Time (Note 3) | t_{TRANS} | $V_{S1} = 8V$, $V_{S16} = 0V$, $V_A = 0V$, Figure 2 | | 130 | 450 | ns |
| Enable Turn-On Time (Note 3) | $t_{ON(EN)}$ | $V_{AL} = 0V$, $V_{S1} = 5V$, Figure 3 | | 105 | 600 | ns |
| Enable Turn-Off Time (Note 3) | $t_{OFF(EN)}$ | $V_{AL} = 0V$, $V_{S1} = 5V$, Figure 3 | | 80 | 300 | ns |
| Charge Injection (Note 3) | Q | $C_L = 1.0nF$, $V_{S1} = 0V$, $R_S = 0\Omega$ | | 2 | 10 | pC |

Note 2: The algebraic convention where the most negative value is a minimum and the most positive value a maximum is used in this data sheet.

Note 3: Guaranteed by design.

Note 4: $\Delta RON = RON(MAX) - RON(MIN)$. On-resistance match between channels and flatness are guaranteed only with specified voltages. Flatness is defined as the difference between the maximum and minimum value of on-resistance as measured at the extremes of the specified analog signal range.

Note 5: Leakage parameters are 100% tested at the maximum-rated hot temperature and guaranteed by correlation at +25°C.

Note 6: Off-isolation = $20\log V_D/V_S$, where V_D = output and V_S = input to off switch.

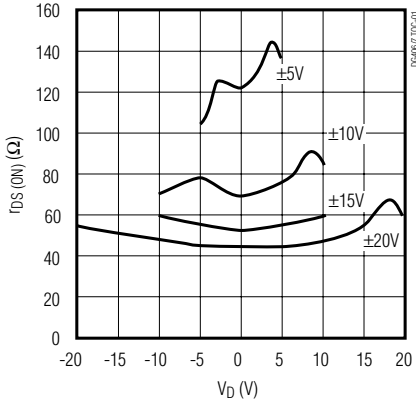
Improved, 16-Channel/Dual 8-Channel, CMOS Analog Multiplexers

Typical Operating Characteristics

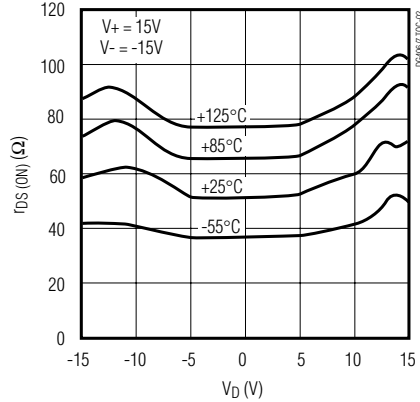
($T_A = +25^\circ\text{C}$, unless otherwise noted.)

DG406/DG407

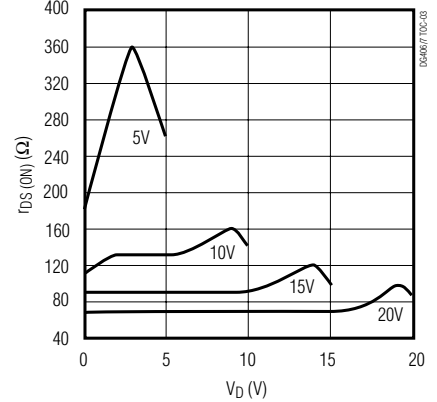
ON-RESISTANCE vs. V_D (DUAL SUPPLIES)



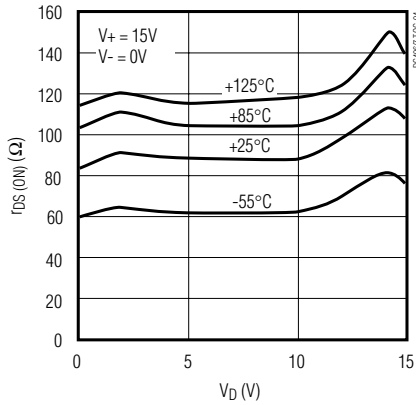
ON-RESISTANCE vs. V_D AND TEMPERATURE (DUAL SUPPLIES)



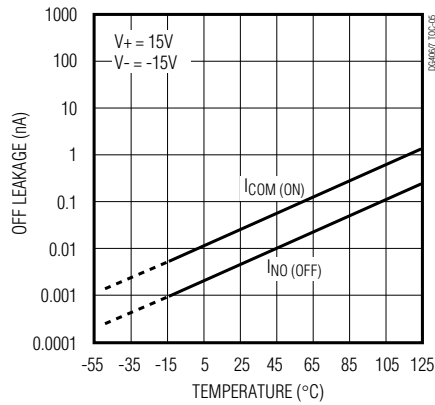
ON-RESISTANCE vs. V_D (SINGLE SUPPLY)



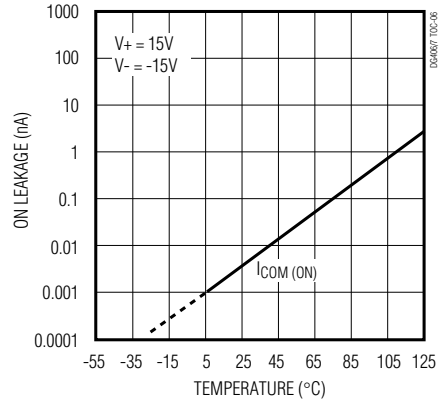
ON-RESISTANCE vs. V_D AND TEMPERATURE (SINGLE SUPPLY)



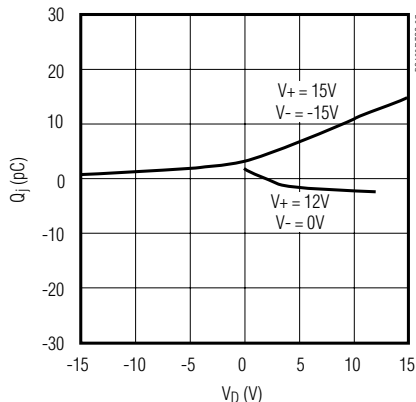
OFF LEAKAGE vs. TEMPERATURE



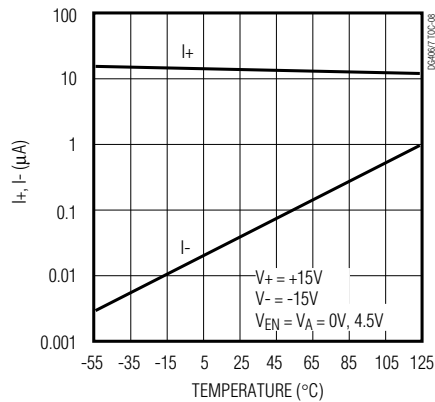
ON LEAKAGE vs. TEMPERATURE



CHARGE INJECTION vs. V_D



SUPPLY CURRENT vs. TEMPERATURE



Improved, 16-Channel/Dual 8-Channel, CMOS Analog Multiplexers

Pin Descriptions

| DG406 PIN | NAME | FUNCTION |
|-----------|--------|--|
| 1 | V+ | Positive Supply Voltage Input |
| 2, 3, 13 | N.C. | No Connection. Not internally connected. |
| 4–11 | S16–S9 | Bidirectional Analog Inputs |
| 12 | GND | Ground |
| 14–17 | A3–A0 | Address Inputs |
| 18 | EN | Enable Inputs |
| 19–26 | S1–S8 | Bidirectional Analog Inputs |
| 27 | V- | Negative Supply Voltage Input |
| 28 | D | Bidirectional Output |

| DG407 PIN | NAME | FUNCTION |
|------------|------------|--|
| 1 | V+ | Positive Supply Voltage Input |
| 2 | DB | Bidirectional Output B |
| 3, 13, 14 | N.C. | No Connection. Not internally connected. |
| 4–11 | S8B–S1B | Bidirectional Analog Inputs |
| 12 | GND | Ground |
| 15, 16, 17 | A2, A1, A0 | Address Inputs |
| 18 | EN | Enable Input |
| 19–26 | S1A–S8A | Bidirectional Analog Inputs |
| 27 | V- | Negative Supply Voltage Input |
| 28 | DA | Bidirectional Output A |

Applications Information

Operation with Supply Voltages Other than $\pm 15V$

Using supply voltages other than $\pm 15V$ reduces the analog signal range. The DG406/DG407 switches operate with $\pm 4.5V$ to $\pm 20V$ bipolar supplies or with a $+5V$ to $+30V$ single supply; connect V- to GND when operating with a single supply. Also, both device types can operate with unbalanced supplies such as $+24V$ and $-5V$. The *Typical Operating Characteristics* graphs show typical on-resistance with $20V$, $15V$, $10V$, and $5V$ supplies. (Switching times increase by a factor of two or more for operation at $5V$.)

Overvoltage Protection

Proper power-supply sequencing is recommended for all CMOS devices. Do not exceed the absolute maximum ratings because stresses beyond the listed ratings may cause permanent damage to the devices. Always sequence V+ on first, then V-, followed by the logic inputs and analog signals. If power-supply sequencing is not possible, add two small signal diodes in series with supply pins for overvoltage protection (Figure 1). Adding diodes reduces the analog

signal range to $1V$ above V+ and $1V$ below V-, but low switch resistance and low leakage characteristics are unaffected. Device operation is unchanged, and the difference between V+ and V- should not exceed $+44V$.

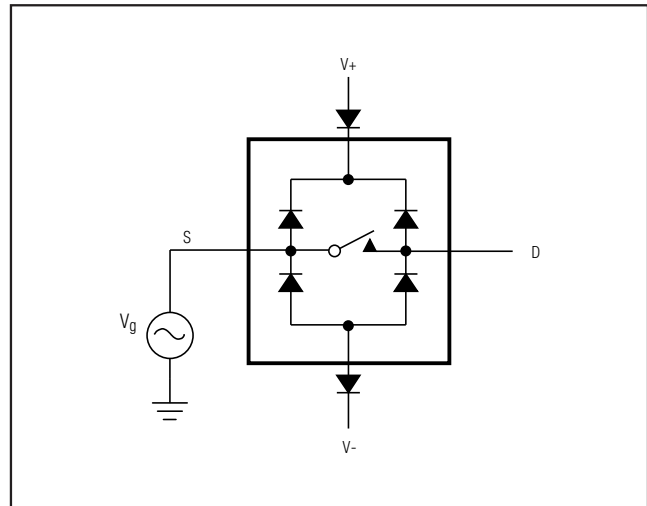


Figure 1. Overvoltage Protection Using External Blocking Diodes

Improved, 16-Channel/Dual 8-Channel, CMOS Analog Multiplexers

Test Circuits/Timing Diagrams

DG406/DG407

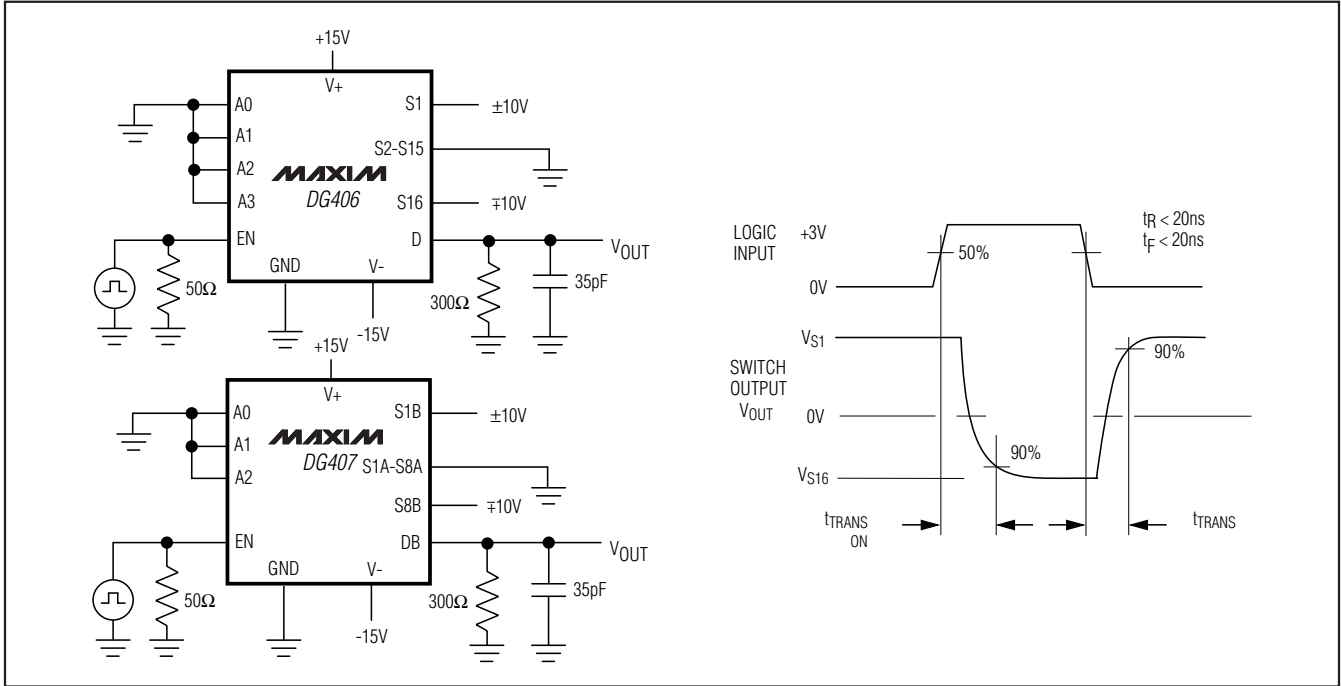


Figure 2. Transition Time

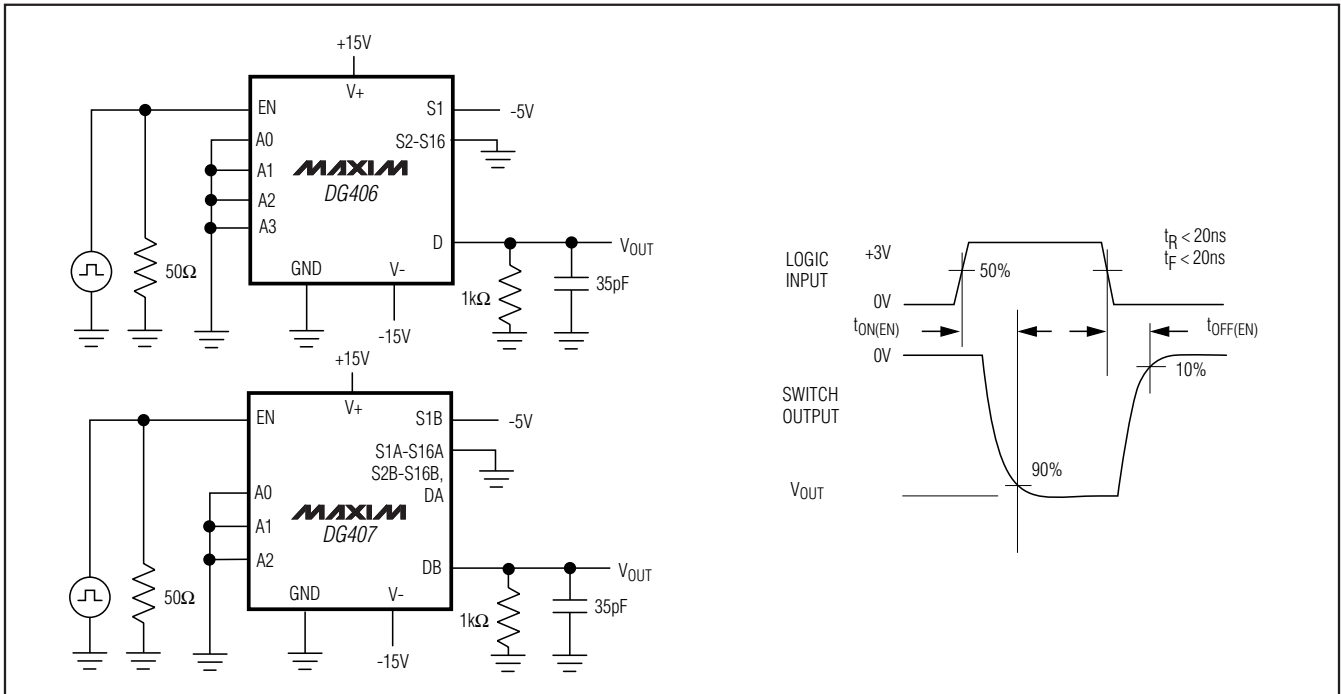


Figure 3. Enable Switching Time

Improved, 16-Channel/Dual 8-Channel, CMOS Analog Multiplexers

Test Circuits/Timing Diagrams (continued)

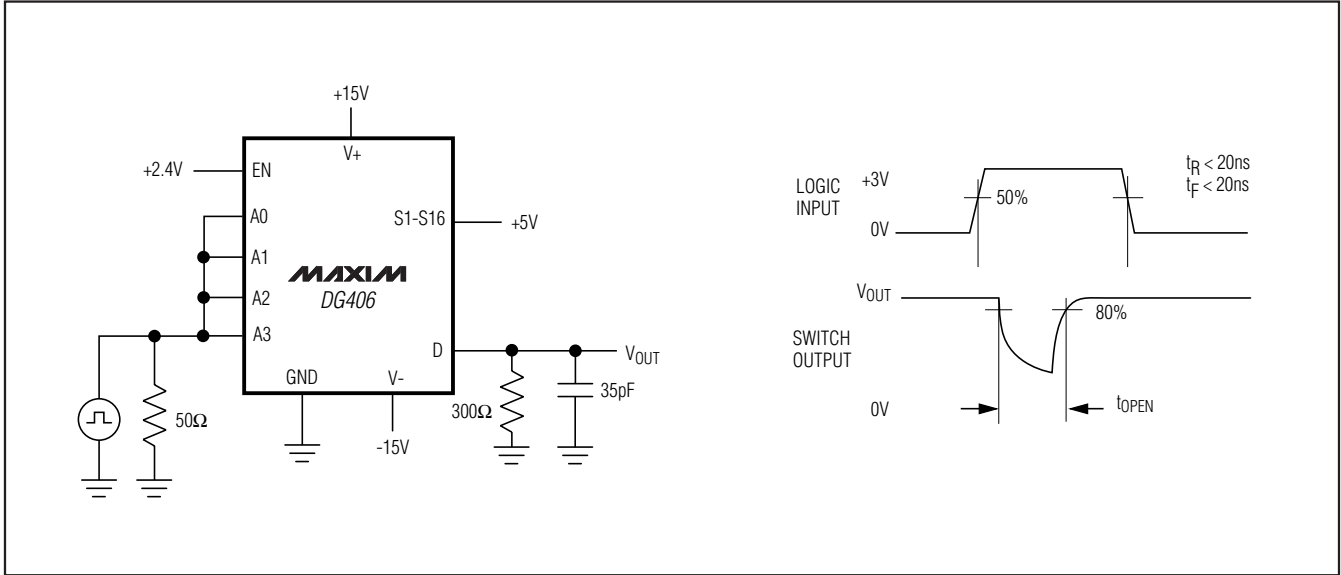


Figure 4. Break-Before-Make Interval

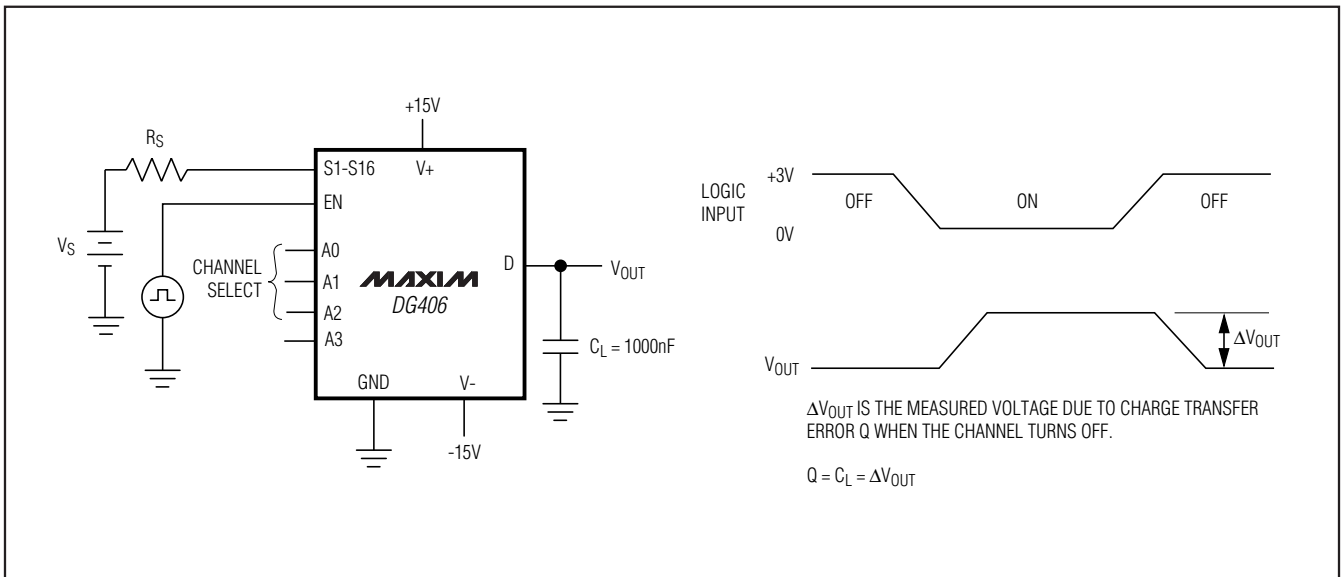


Figure 5. Charge Injection

Improved, 16-Channel/Dual 8-Channel, CMOS Analog Multiplexers

Test Circuits/Timing Diagrams (continued)

DG406/DG407

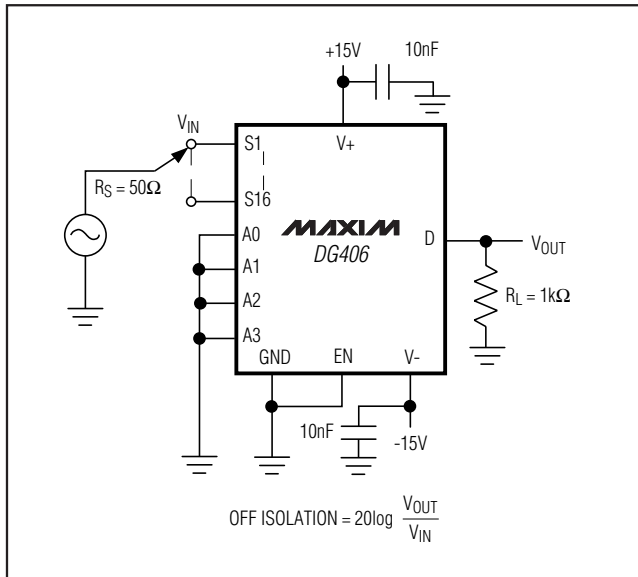


Figure 6. Off-Isolation

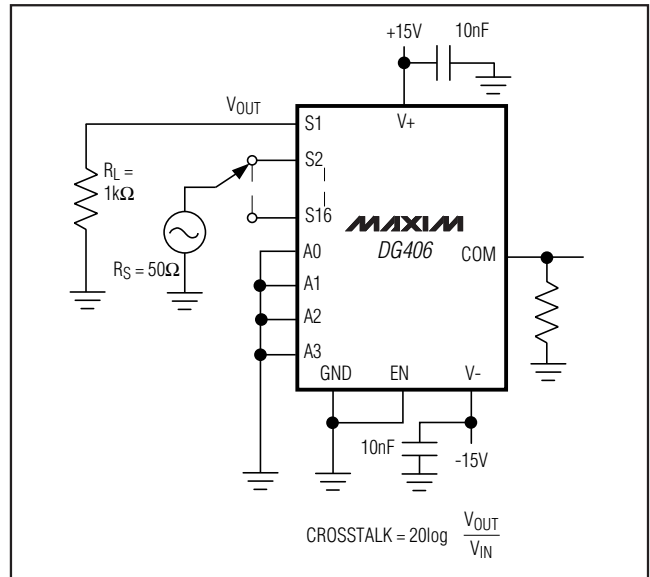


Figure 7. Crosstalk

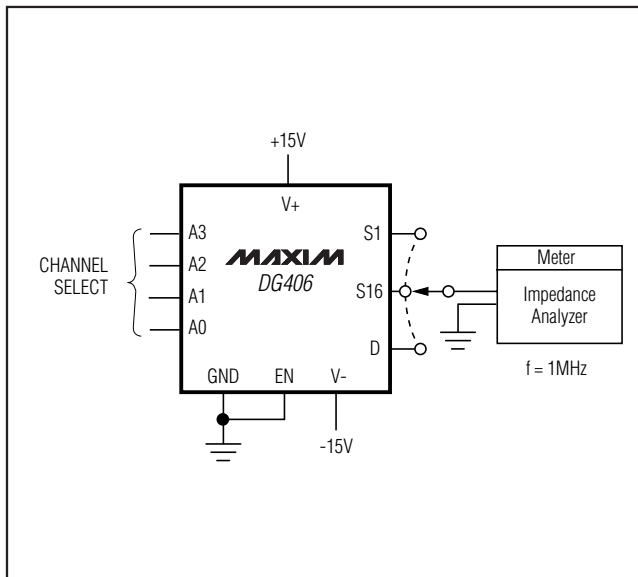
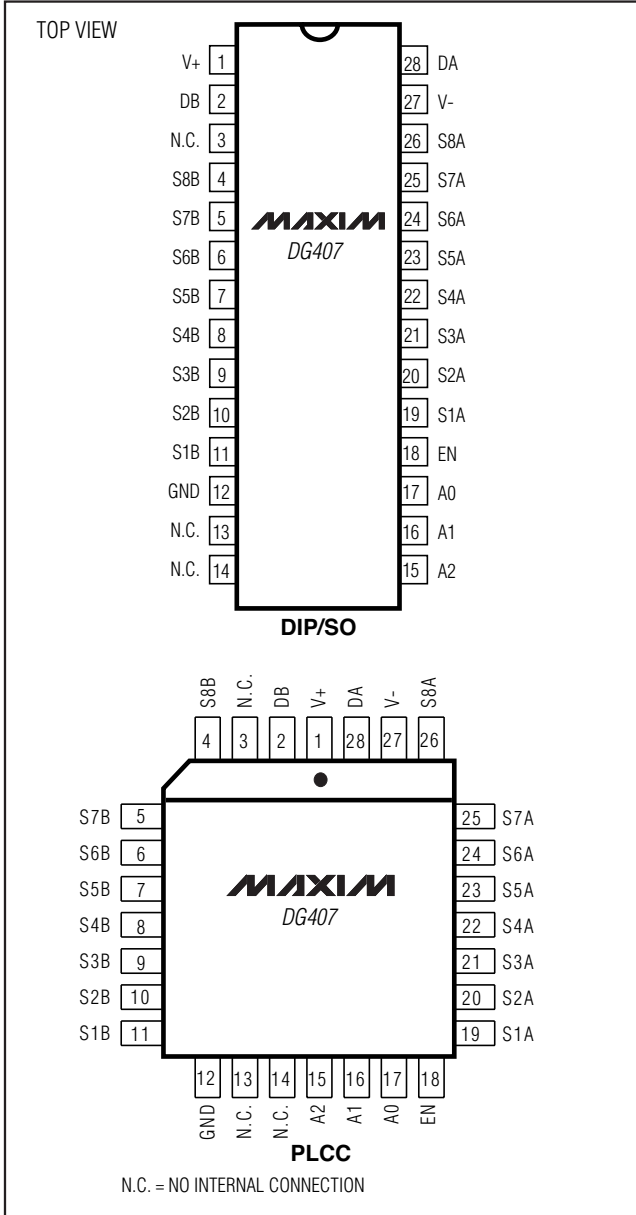


Figure 8. Source/Drain Capacitance

Improved, 16-Channel/Dual 8-Channel, CMOS Analog Multiplexers

Pin Configurations/Functional Diagrams/Truth Tables (continued)



| A3 | A2 | A1 | A0 | EN | ON Switch |
|----|----|----|----|----|-----------|
| X | X | X | X | 0 | None |
| 0 | 0 | 0 | 0 | 1 | 1 |
| 0 | 0 | 0 | 1 | 1 | 2 |
| 0 | 0 | 1 | 0 | 1 | 3 |
| 0 | 0 | 1 | 1 | 1 | 4 |
| 0 | 1 | 0 | 0 | 1 | 5 |
| 0 | 1 | 0 | 1 | 1 | 6 |
| 0 | 1 | 1 | 0 | 1 | 7 |
| 0 | 1 | 1 | 1 | 1 | 8 |
| 1 | 0 | 0 | 0 | 1 | 9 |
| 1 | 0 | 0 | 1 | 1 | 10 |
| 1 | 0 | 1 | 0 | 1 | 11 |
| 1 | 0 | 1 | 1 | 1 | 12 |
| 1 | 1 | 0 | 0 | 1 | 13 |
| 1 | 1 | 0 | 1 | 1 | 14 |
| 1 | 1 | 1 | 0 | 1 | 15 |
| 1 | 1 | 1 | 1 | 1 | 16 |

DG406

LOGIC "0" $V_{AL} \leq 0.8V$, LOGIC "1" = $V_{AH} \geq 2.4V$

| A2 | A1 | A0 | EN | ON Switch |
|----|----|----|----|-----------|
| X | X | X | 0 | None |
| 0 | 0 | 0 | 1 | 1 |
| 0 | 0 | 1 | 1 | 2 |
| 0 | 1 | 0 | 1 | 3 |
| 0 | 1 | 1 | 1 | 4 |
| 1 | 0 | 0 | 1 | 5 |
| 1 | 0 | 1 | 1 | 6 |
| 1 | 1 | 0 | 1 | 7 |
| 1 | 1 | 1 | 1 | 8 |

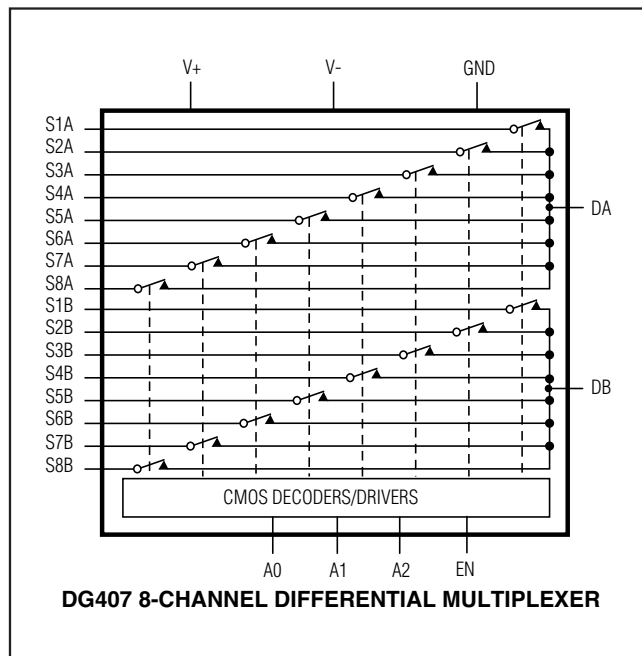
DG407

LOGIC "0" $V_{AL} \leq 0.8V$, LOGIC "1" = $V_{AH} \geq 2.4V$

Improved, 16-Channel/Dual 8-Channel, High-Performance, CMOS Analog Multiplexers

DG406/DG407

Functional Diagrams (continued)



Ordering Information (continued)

| PART | TEMP RANGE | PIN-PACKAGE |
|-----------|-----------------|----------------|
| DG407CJ+ | 0°C to +70°C | 28 Plastic DIP |
| DG407CWI+ | 0°C to +70°C | 28 Wide SO |
| DG407C/D+ | 0°C to +70°C | Dice* |
| DG407DJ+ | -40°C to +85°C | 28 Plastic DIP |
| DG407EWI+ | -40°C to +85°C | 28 Wide SO |
| DG407DN+ | -40°C to +85°C | 28 PLCC |
| DG407AK | -55°C to +125°C | 28 CERDIP |
| DG407EUI+ | -40°C to +85°C | 28 TSSOP |

*Contact factory for dice specifications.

+Denotes a lead(Pb)-free/RoHS-compliant package.

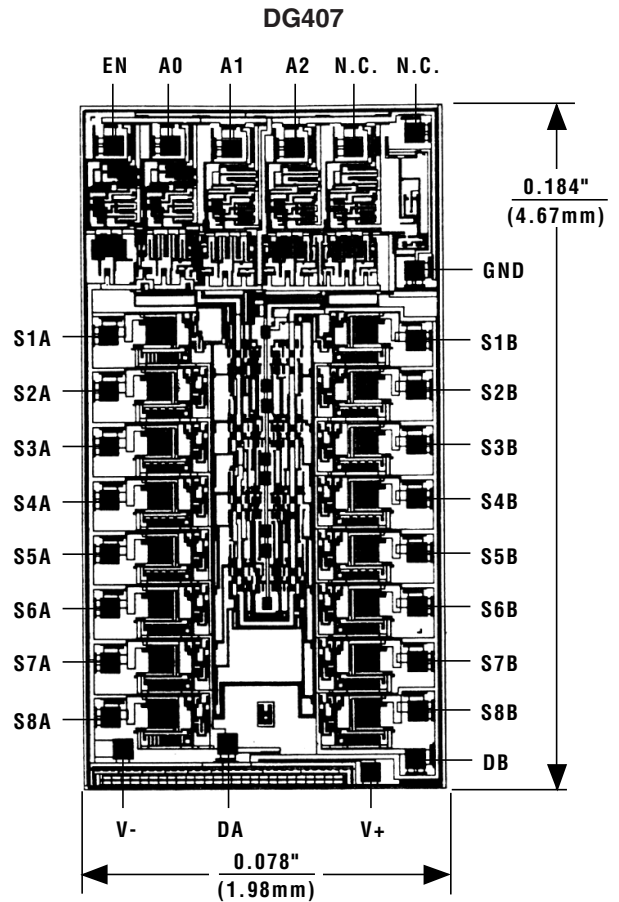
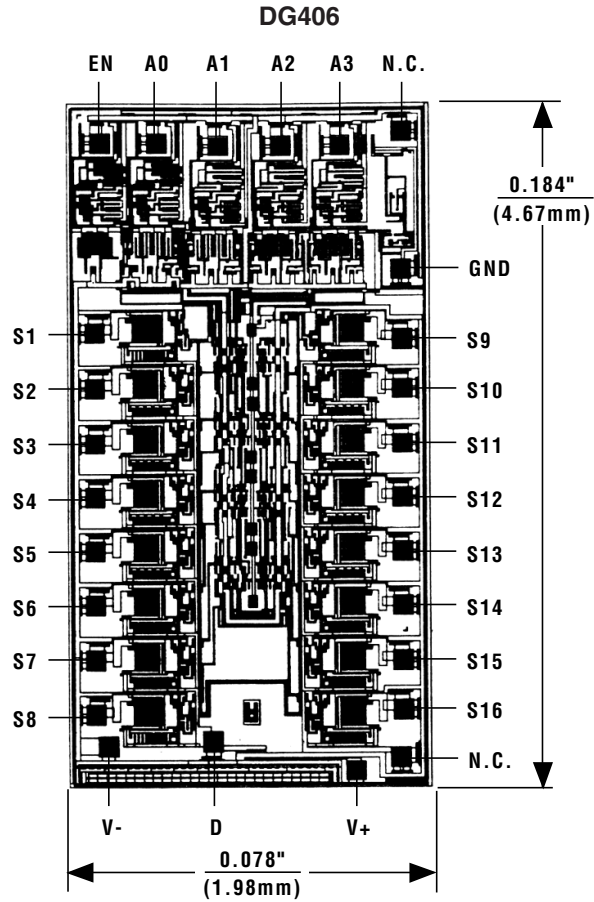
Package Information

For the latest package outline information and land patterns, go to www.maxim-ic.com/packages. Note that a "+", "#", or "-" in the package code indicates RoHS status only. Package drawings may show a different suffix character, but the drawing pertains to the package regardless of RoHS status.

| PACKAGE TYPE | PACKAGE CODE | DOCUMENT NO. |
|--------------|--------------|-------------------------|
| 28 PDIP | P28+3 | 21-0044 |
| 28 Wide SO | W28+6 | 21-0042 |
| 28 PLCC | Q28+4 | 21-0049 |
| 28 TSSOP | U28+2 | 21-0066 |
| 28 CERDIP | J28+2 | 21-0046 |

Improved, 16-Channel/Dual 8-Channel, CMOS Analog Multiplexers

Chip Topographies



N.C. = NO INTERNAL CONNECTION

SUBSTRATE IS INTERNALLY CONNECTED TO V+

SUBSTRATE IS INTERNALLY CONNECTED TO V+

Improved, 16-Channel/Dual 8-Channel, High-Performance, CMOS Analog Multiplexers

Revision History

| REVISION NUMBER | REVISION DATE | DESCRIPTION | PAGES CHANGED |
|-----------------|---------------|--|---------------|
| 6 | 3/10 | Updated the minimum limit of the single supply range. | 1, 6 |
| | | Added the soldering temperature of all packages to the <i>Absolute Maximum Ratings</i> . | 2 |

DG406/DG407

Maxim cannot assume responsibility for use of any circuitry other than circuitry entirely embodied in a Maxim product. No circuit patent licenses are implied. Maxim reserves the right to change the circuitry and specifications without notice at any time.

Maxim Integrated Products, 120 San Gabriel Drive, Sunnyvale, CA 94086 408-737-7600 _____ 13