



Current Limiting Diode

1N5283 Thru 1N5314 JEDEC DO-35 Case

FEATURES

- LOW COST
- HIGH RELIABILITY
- SMALLER CASE SIZE THAN COMPETITION
- SPECIAL SELECTIONS AVAILABLE
- SUPERIOR LOT-TO-LOT CONSISTENCY
- SURFACE MOUNT DEVICES AVAILABLE

DESCRIPTION

The CENTRAL SEMICONDUCTOR 1N5283 series types are silicon field effect current regulator diodes designed for applications requiring a constant current over a wide voltage range. These devices are manufactured in the cost-effective DO-35 double plug case which provides many benefits to the user, including space savings and improved thermal characteristics. Special selections of I_p (regulator current) are available for critical applications. Lower cost units are available in the CCL0035 series.

MAXIMUM RATINGS ($T_L = 75^\circ\text{C}$)

Peak Operating Voltage
 Power Dissipation
 Operating and Storage Junction Temperature

SYMBOL

POV 100
 P_D 600
 T_J, T_{STG} -65 to +200

UNIT

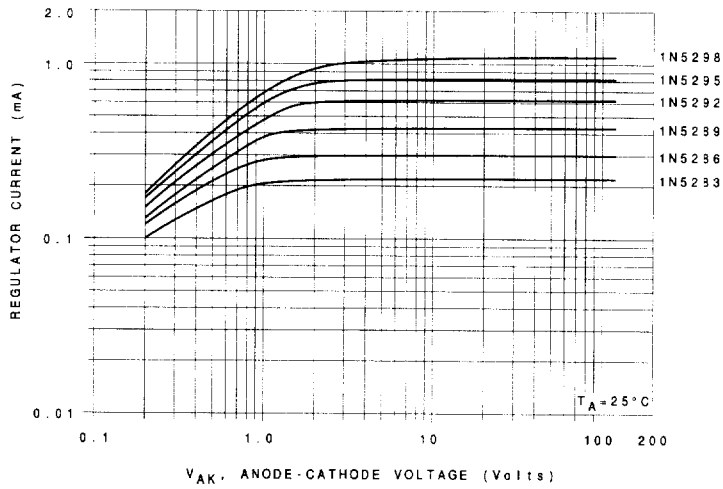
V
 mW
 $^\circ\text{C}$

ELECTRICAL CHARACTERISTICS ($T_A = 25^\circ\text{C}$)

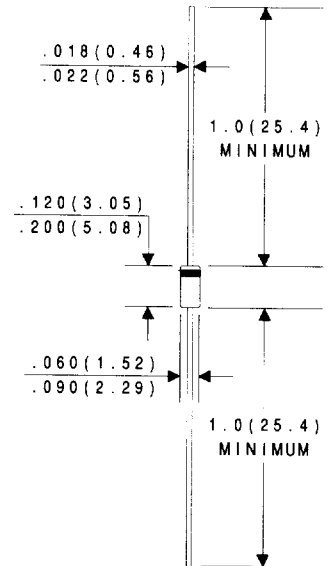
TYPE NO.	REGULATOR CURRENT ⁽¹⁾			DYNAMIC IMPEDANCE	KNEE IMPEDANCE	LIMITING VOLTAGE
	$I_p @ V_T = 25V$			$Z_T @ V_T = 25V$	$Z_K @ V_K = 6.0V$	$V_L @ I_L = 0.8 I_p \text{ MIN}$
	MIN	NOM	MAX	$M\Omega$	$M\Omega$	V
1N5283	0.198	0.22	0.242	25.0	2.75	1.00
1N5284	0.216	0.24	0.264	19.0	2.35	1.00
1N5285	0.243	0.27	0.297	14.0	1.95	1.00
1N5286	0.270	0.30	0.330	9.0	1.60	1.00
1N5287	0.297	0.33	0.363	6.6	1.35	1.00
1N5288	0.351	0.39	0.429	4.10	1.00	1.05
1N5289	0.387	0.43	0.473	3.30	0.870	1.05
1N5290	0.423	0.47	0.517	2.70	0.750	1.05
1N5291	0.504	0.56	0.616	1.90	0.560	1.10
1N5292	0.558	0.62	0.682	1.55	0.470	1.13
1N5293	0.612	0.68	0.748	1.35	0.400	1.15
1N5294	0.675	0.75	0.825	1.15	0.335	1.20
1N5295	0.738	0.82	0.902	1.00	0.290	1.25
1N5296	0.819	0.91	1.001	0.880	0.240	1.29
1N5297	0.900	1.00	1.10	0.800	0.205	1.35
1N5298	0.990	1.10	1.21	0.700	0.180	1.40
1N5299	1.08	1.20	1.32	0.640	0.155	1.45
1N5300	1.17	1.30	1.43	0.580	0.135	1.50
1N5301	1.26	1.40	1.54	0.540	0.115	1.55
1N5302	1.35	1.50	1.65	0.510	0.105	1.60
1N5303	1.44	1.60	1.76	0.475	0.092	1.65
1N5304	1.62	1.80	1.98	0.420	0.074	1.75
1N5305	1.80	2.00	2.20	0.395	0.061	1.85
1N5306	1.98	2.20	2.42	0.370	0.052	1.95
1N5307	2.16	2.40	2.64	0.345	0.044	2.00
1N5308	2.43	2.70	2.97	0.320	0.035	2.15
1N5309	2.70	3.00	3.30	0.300	0.029	2.25
1N5310	2.97	3.30	3.63	0.280	0.024	2.35
1N5311	3.24	3.60	3.96	0.265	0.020	2.50
1N5312	3.51	3.90	4.29	0.255	0.017	2.60
1N5313	3.87	4.30	4.73	0.245	0.014	2.75
1N5314	4.23	4.70	5.17	0.235	0.012	2.90

(1) PULSED METHOD. PULSE WIDTH (ms) = $\frac{27.5}{I_p \text{ NOM (mA)}}$

Typical Regulator Current vs. Voltage

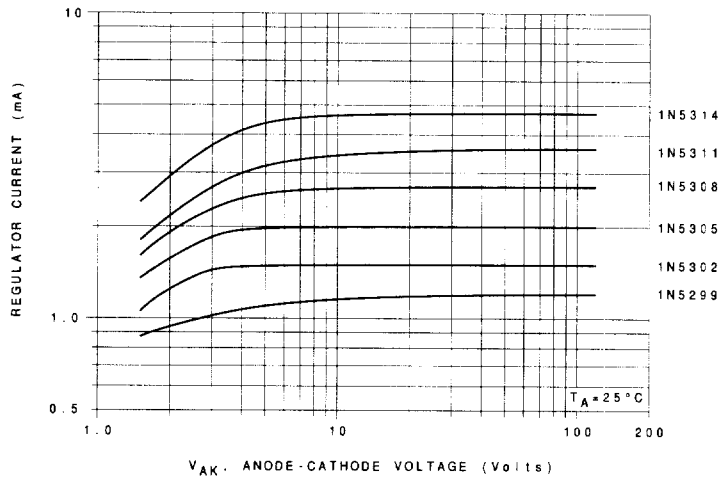


HERMETICALLY SEALED GLASS CASE WITH TINNED COPPER LEADS



Dimensions in Inches (mm).

Typical Regulator Current vs. Voltage



Typical Regulator Current vs. Temperature

