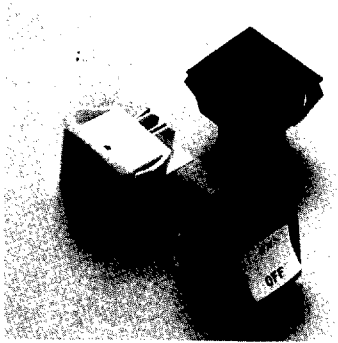


### RGSC-Series



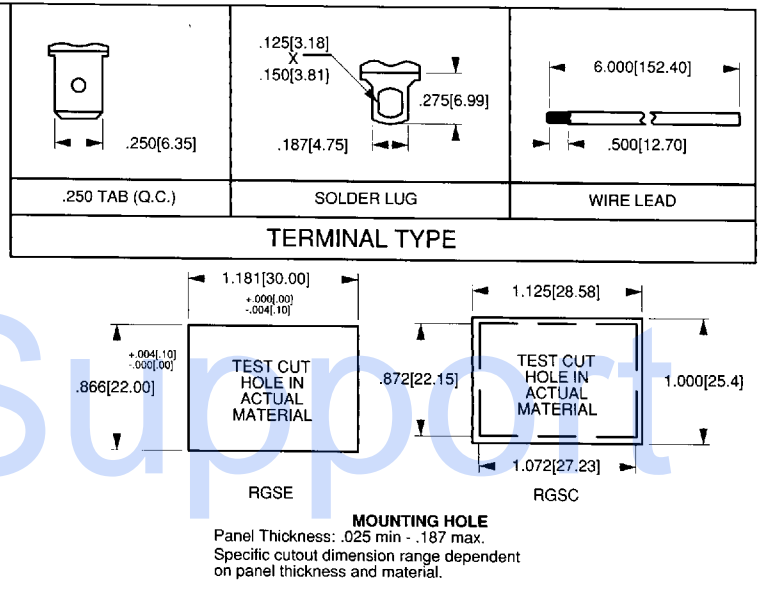
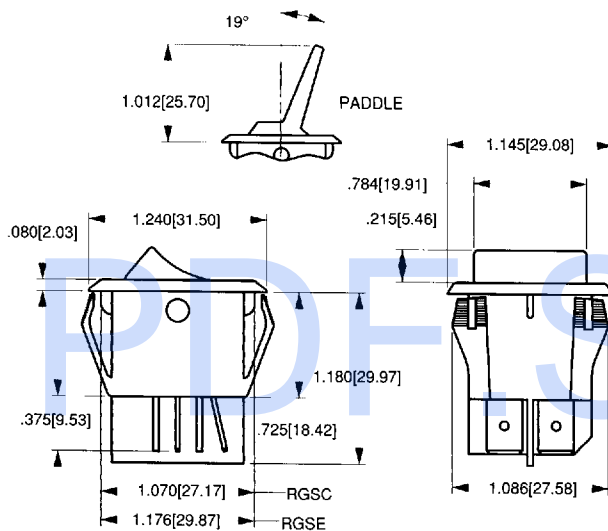
The RGSC-Series Super Curvette rocker switches offer the Curvette styling in a double pole construction with higher electrical ratings and high inrush capabilities. These switches can handle up to 125 amp peak inrush current and can accommodate a wide range of panel cutouts due to the patented mounting ear construction. International ratings are available up to 20 amps.

### Specifications

- Certifications\*: UL, CSA, VDE
- Dielectric Strength: 1,000V (minimum)
- Insulation Resistance: 100 Megohms (minimum)
- Base Material: Nylon
- Actuator Material: Nylon

\* Due to ongoing technological advances, consult factory for certification specifics.

### Dimensional Specifications: in. [mm]



### RGSC

### C

### 70

### 1

### R

### B

### B

### 0

#### SERIES

- RGSC** STANDARD BASE
- RGSB** METAL BRACKET
- RGSE** EUROPEAN BASE

#### CIRCUIT<sup>1</sup>

- A** OFF-NONE-ON SINGLE POLE
- B** ON-NONE-ON SINGLE POLE
- C** OFF-NONE-ON DOUBLE POLE
- D** ON-NONE-ON DOUBLE POLE
- E** POLE 1 ON-NONE-ON POLE 2 OFF-NONE-ON
- F** POLE 1 ON-NONE-OFF POLE 2 OFF-NONE-ON

#### RATING<sup>2</sup>

- 20** 15A 250VAC  
20A 125VAC
- 21** 15A 250 VAC  
20A 125VAC
- 57** 10A 250VAC 3/4HP  
15A 125VAC 3/4HP  
6A 277VAC 3/4HP
- 70** 15A 250VAC  
20A 125VAC  
3/4HP 125-250VAC
- 71** 15A 250VAC  
20A 125VAC  
16(6)A 250VAC T85

#### TERMINATION

- 0** SOLDER LUG
- 1** .250TAB (QC)
- 5** WIRE LEAD

#### ACTUATOR STYLE

- P** PADDLE
- R** ROCKER

#### ACTUATOR COLOR<sup>3</sup>

- B** BLACK
- W** WHITE

#### BASE COLOR<sup>3</sup>

- B** BLACK
- W** WHITE

#### ROCKER FACE IMPRINTED LEGEND<sup>4</sup>

- 0** NO LEGEND
- A** OFF-ON (VERTICAL)
- B** OFF-ON (HORIZONTAL)
- D** O-1 (HORIZONTAL)
- E** O-1 (VERTICAL)
- F** ON-OFF (VERTICAL)
- G** ON-OFF (HORIZONTAL)

#### NOTES:

Shading indicates standard configurations.

Panel Cut-Out Recommendations: For sheet metal panels, switch must enter panel in same direction as the punch. (Burr on bottom.) Test cut hole in actual material.

1 Circuits E and F available with Rating Codes 20, 21 and 57 only.

2 Additional ratings are available. Consult factory.

3 Custom colors are available. Consult factory.

4 White is standard with dark actuators; black is standard with light actuators.

D 06F ■ 1920506 0001249 5T8 ■