



# 2SB772S

## PNP SILICON TRANSISTOR

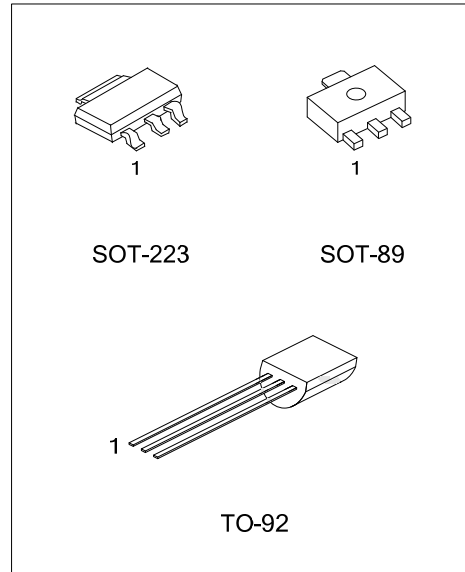
### MEDIUM POWER LOW VOLTAGE TRANSISTOR

#### DESCRIPTION

The UTC **2SB772S** is a medium power low voltage transistor, designed for audio power amplifier, DC-DC converter and voltage regulator.

#### FEATURES

- \* High current output up to 3A
- \* Low saturation voltage
- \* Complement to 2SD882S



Lead-free: 2SB772SL  
 Halogen-free: 2SB772SG

#### ORDERING INFORMATION

Ordering Number			Package	Pin Assignment			Packing
Normal	Lead Free	Halogen Free		1	2	3	
2SB772S-x-AA3-R	2SB772SL-x-AA3-R	2SB772SG-x-AA3-R	SOT-223	B	C	E	Tape Reel
2SB772S-x-AB3-R	2SB772SL-x-AB3-R	2SB772SG-x-AB3-R	SOT-89	B	C	E	Tape Reel
2SB772S-x-T92-B	2SB772SL-x-T92-B	2SB772SG-x-T92-B	TO-92	E	C	B	Tape Box
2SB772S-x-T92-K	2SB772SL-x-T92-K	2SB772SG-x-T92-K	TO-92	E	C	B	Bulk

<p>2SB772SL-x-AA3-R</p> <p>(1)Packing Type        (2)Package Type        (3)Rank        (4)Lead Plating</p>	<p>(1) B: Tape Box, K: Bulk, R: Tape Reel        (2) AA3: SOT-223, AB3: SOT-89, T92: TO-92        (3) x: refer to Classification of <math>h_{FE2}</math>        (4) G: Halogen Free, L: Lead Free, Blank: Pb/Sn</p>
---	---

■ ABSOLUTE MAXIMUM RATINGS (Ta = 25°C)

PARAMETER	SYMBOL	RATINGS	UNIT
Collector-Base Voltage	$V_{CB0}$	-40	V
Collector-Emitter Voltage	$V_{CEO}$	-30	V
Emitter-Base Voltage	$V_{EBO}$	-5	V
Peak Collector Current	$I_{CP}$	-7	A
DC Collector Current	$I_C$	-3	A
Base Current	$I_B$	-0.6	A
Power Dissipation	SOT-89	0.5	W
	SOT-223	1	W
	TO-92	0.5	W
Junction Temperature	$T_J$	+150	°C
Storage Temperature	$T_{STG}$	-55 ~ +150	°C

Note: Absolute maximum ratings are those values beyond which the device could be permanently damaged. Absolute maximum ratings are stress ratings only and functional device operation is not implied.

■ ELECTRICAL CHARACTERISTICS (Ta= 25°C, unless otherwise specified)

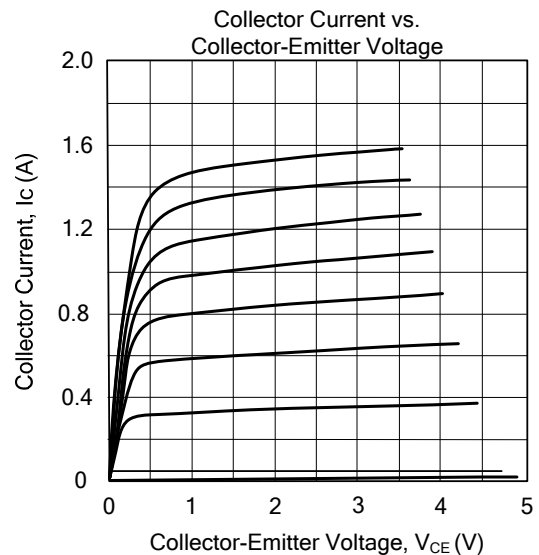
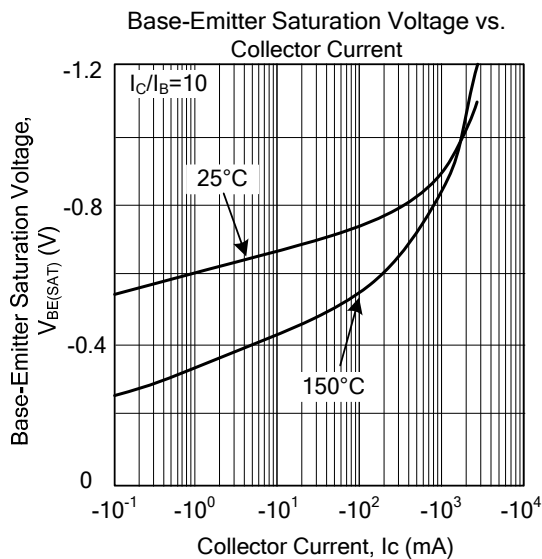
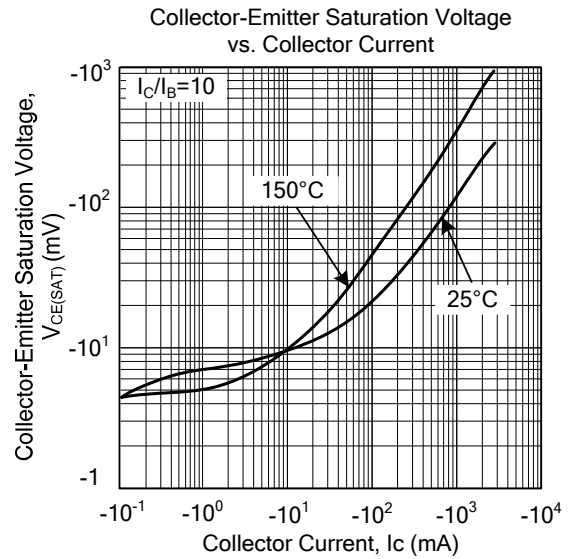
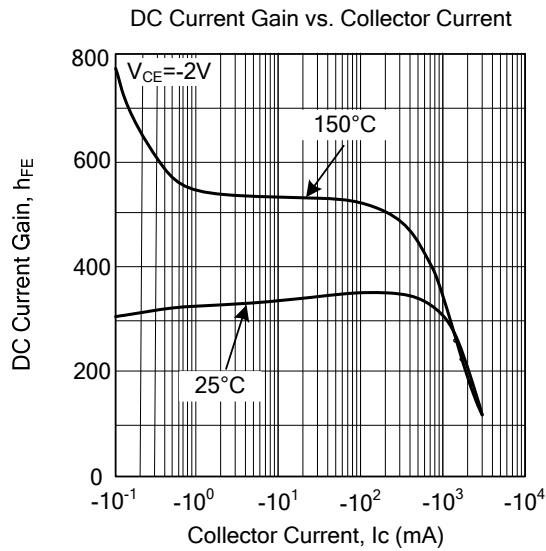
PARAMETER	SYMBOL	TEST CONDITIONS	MIN	TYP	MAX	UNIT
Collector-Base Breakdown Voltage	$BV_{CB0}$	$I_C=-100\mu A, I_E=0$	-40			V
Collector-Emitter Breakdown Voltage	$BV_{CEO}$	$I_C=-1mA, I_B=0$	-30			V
Emitter-Base Breakdown Voltage	$BV_{EBO}$	$I_E=-100\mu A, I_C=0$	-5			V
Collector Cut-Off Current	$I_{CBO}$	$V_{CB}=-30V, I_E=0$			-1000	nA
Collector Cut-Off Current	$I_{CEO}$	$V_{CE}=-30V, I_B=0$			-1000	nA
Emitter Cut-Off Current	$I_{EBO}$	$V_{EB}=-3V, I_C=0$			-1000	nA
DC Current Gain(Note 1)	$h_{FE1}$	$V_{CE}=-2V, I_C=-20mA$	30	200		
	$h_{FE2}$	$V_{CE}=-2V, I_C=-1A$	100	150	400	
Collector-Emitter Saturation Voltage	$V_{CE(SAT)}$	$I_C=-2A, I_B=-0.2A$		-0.3	-0.5	V
Base-Emitter Saturation Voltage	$V_{BE(SAT)}$	$I_C=-2A, I_B=-0.2A$		-1.0	-2.0	V
Current Gain Bandwidth Product	$f_T$	$V_{CE}=-5V, I_C=-0.1A$		80		MHz
Output Capacitance	$C_{ob}$	$V_{CB}=-10V, I_E=0, f=1MHz$		45		pF

Note 1: Pulse test:  $P_w < 300\mu s$ , Duty Cycle  $< 2\%$

■ CLASSIFICATION OF  $h_{FE2}$

RANK	Q	P	E
RANGE	100 ~ 200	160 ~ 320	200 ~ 400

## TYPICAL CHARACTERISTICS



UTC assumes no responsibility for equipment failures that result from using products at values that exceed, even momentarily, rated values (such as maximum ratings, operating condition ranges, or other parameters) listed in products specifications of any and all UTC products described or contained herein. UTC products are not designed for use in life support appliances, devices or systems where malfunction of these products can be reasonably expected to result in personal injury. Reproduction in whole or in part is prohibited without the prior written consent of the copyright owner. The information presented in this document does not form part of any quotation or contract, is believed to be accurate and reliable and may be changed without notice.