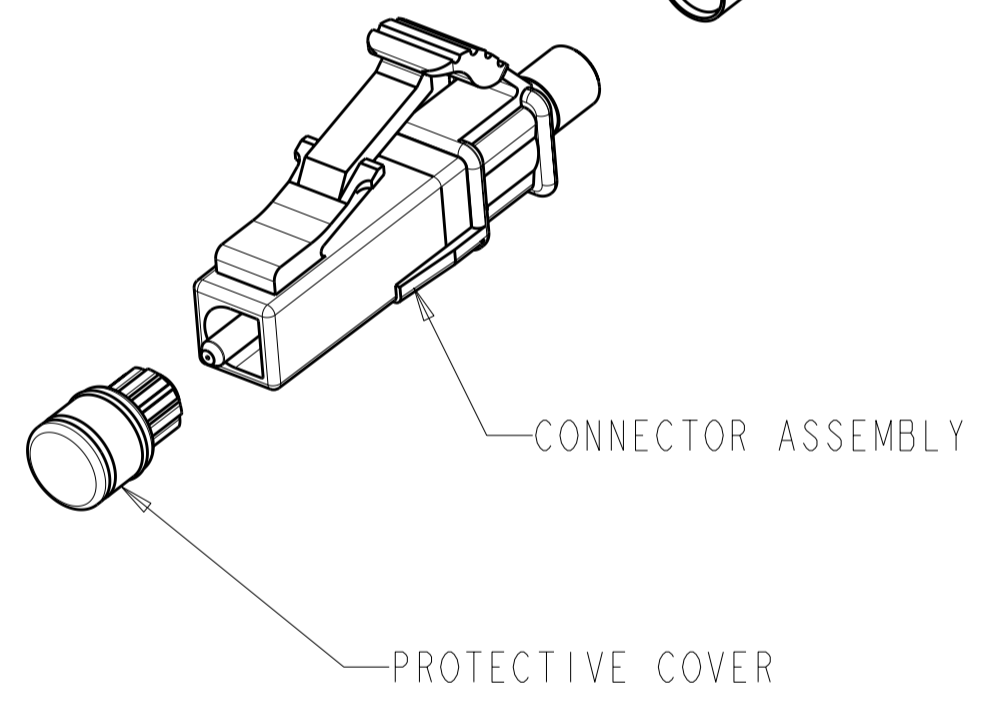
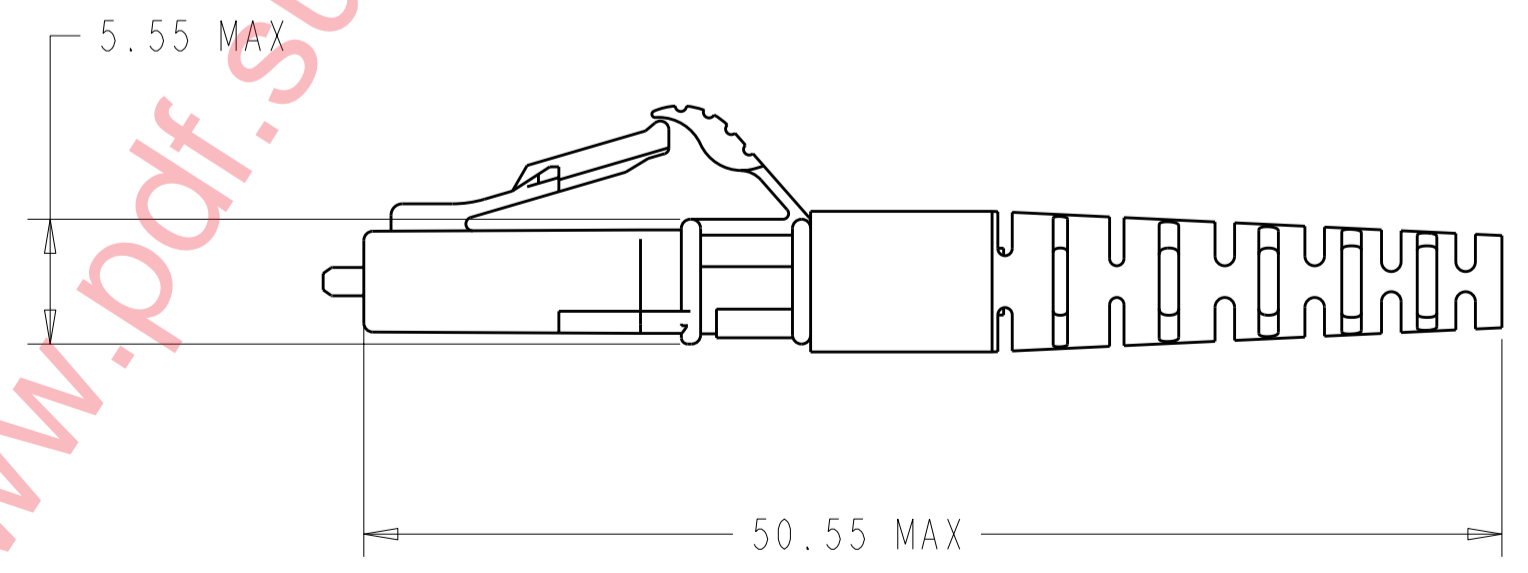
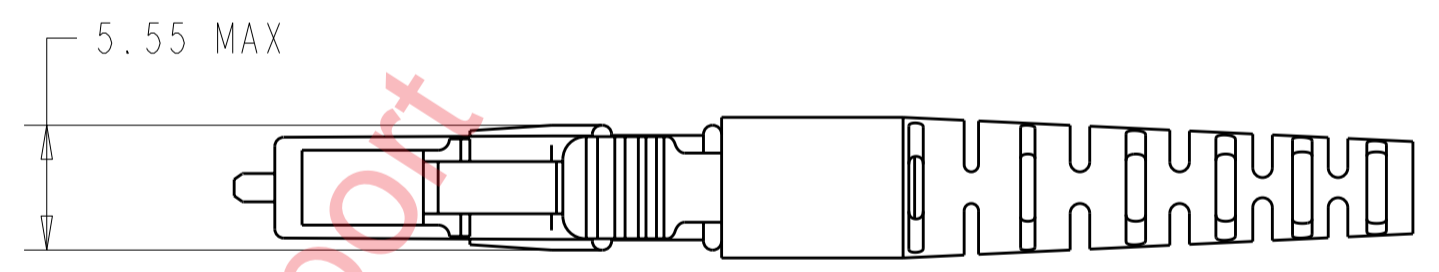
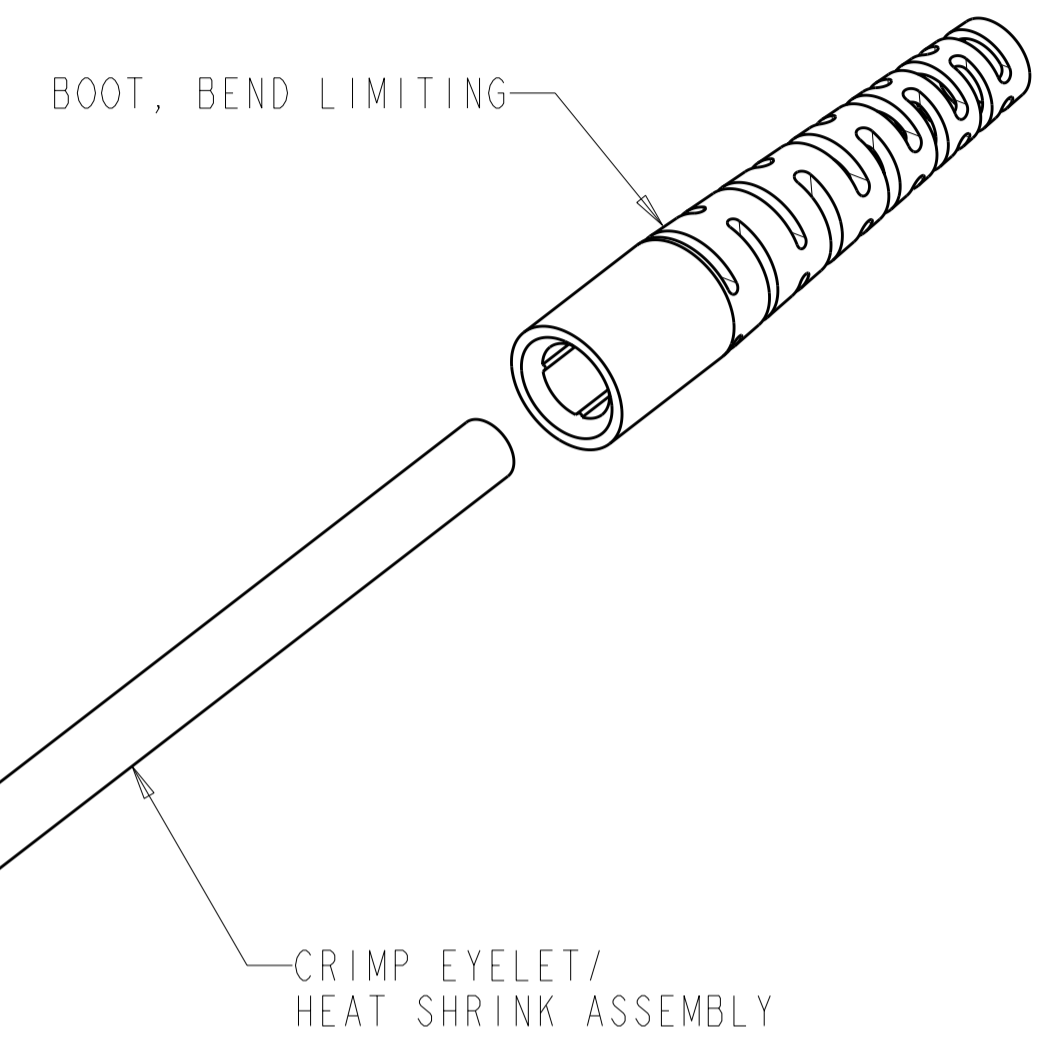


THIS DRAWING IS UNPUBLISHED. RELEASED FOR PUBLICATION 20  
 © COPYRIGHT 20 BY TYCO ELECTRONICS CORPORATION. ALL RIGHTS RESERVED.

LOC	DIST	REVISIONS			
P	LTR	DESCRIPTION	DATE	DWN	APVD
	B2	REVISE NOTE 2	13MAR2009	BB	SB
	C	REVISED PER ECR 10-012395	14JUN2010	DLF	CB

⚠ MATERIAL: PROTECTIVE COVER: TPE, COLOR:BLACK, UL 94 V-0 \*  
 FERRULE SUB ASSEMBLY: ZIRCONIA/METAL.  
 COMPRESSION SPRING: STAINLESS STEEL.  
 HOUSING: PPSU, COLOR:SEE DASH NO'S.  
 INNER TUBING: PTFE, COLOR:CLEAR, UL VW-1.  
 REAR BODY:METAL.  
 BOOT: PP, COLOR:BEIGE, UL 94 V-0. \*  
 CRIMP EYELET/HEAT SHRINK ASSY: ALUM. ALLOY, HEAT SHRINK: POLYOLEFIN, UL VW-1.  
 \*RATED AT QUALIFYING THICKNESS.

2. INSTRUCTION SHEET: 408-8675 AVAILABLE FOR DOWNLOAD AT [www.tycoelectronics.com/documents](http://www.tycoelectronics.com/documents)  
 OR [www.ampnetconnect.com/foguide](http://www.ampnetconnect.com/foguide).



SLATE	1-1828078-0
ORANGE	1828078-9
VIOLET	1828078-8
BROWN	1828078-7
AQUA	1828078-6
ROSE	1828078-5
BLUE	1828078-4
GREEN	1828078-3
YELLOW	1828078-2
RED	1828078-1
COLOR	PART NO

www.pdf-support.com

<small>THIS DRAWING IS A CONTROLLED DOCUMENT FOR TYCO ELECTRONICS CORPORATION. IT IS SUBJECT TO CHANGE AND THE CONTROLLING ENGINEERING ORGANIZATION SHOULD BE CONTACTED FOR THE LATEST REVISION.</small>		DWN 22FEB2006 CHK 22FEB2006 APVD 22FEB2006 PRODUCT SPEC APPLICATION SPEC WEIGHT CUSTOMER DRAWING	Tyco Electronics Harrisburg, PA 17105-3608 NAME KIT, CONNECTOR, LC SECURE SIMPLEX, MM, 1.6-2.0mm, JACKET SIZE A2 CAGE CODE 00779 DRAWING NO 1828078 RESTRICTED TO SCALE 3:1 SHEET 1 OF 1 REV C
DIMENSIONS: mm 	TOLERANCES UNLESS OTHERWISE SPECIFIED: 0 PLC ± 1 PLC ±0.1 2 PLC ±0.01 3 PLC ± 4 PLC ± ANGLES ± FINISH	D 22FEB2006 M 22FEB2006 D 22FEB2006 PRODUCT SPEC APPLICATION SPEC WEIGHT CUSTOMER DRAWING	Tyco Electronics Harrisburg, PA 17105-3608 NAME KIT, CONNECTOR, LC SECURE SIMPLEX, MM, 1.6-2.0mm, JACKET SIZE A2 CAGE CODE 00779 DRAWING NO 1828078 RESTRICTED TO SCALE 3:1 SHEET 1 OF 1 REV C

# Mouser Electronics

Authorized Distributor

Click to View Pricing, Inventory, Delivery & Lifecycle Information:

[TE Connectivity Divested:](#)

[1828078-4](#)