

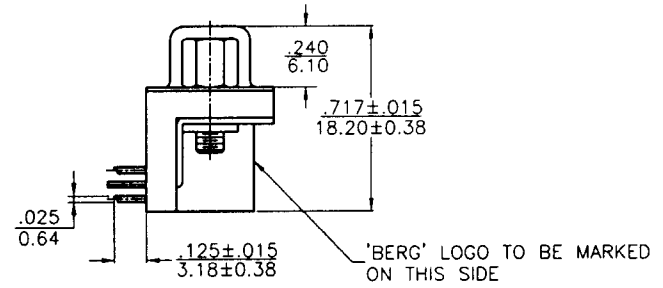
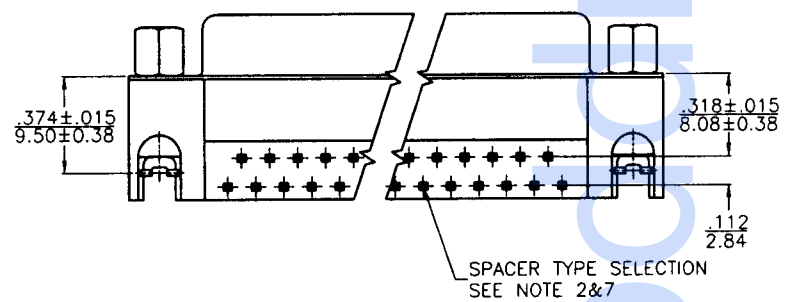
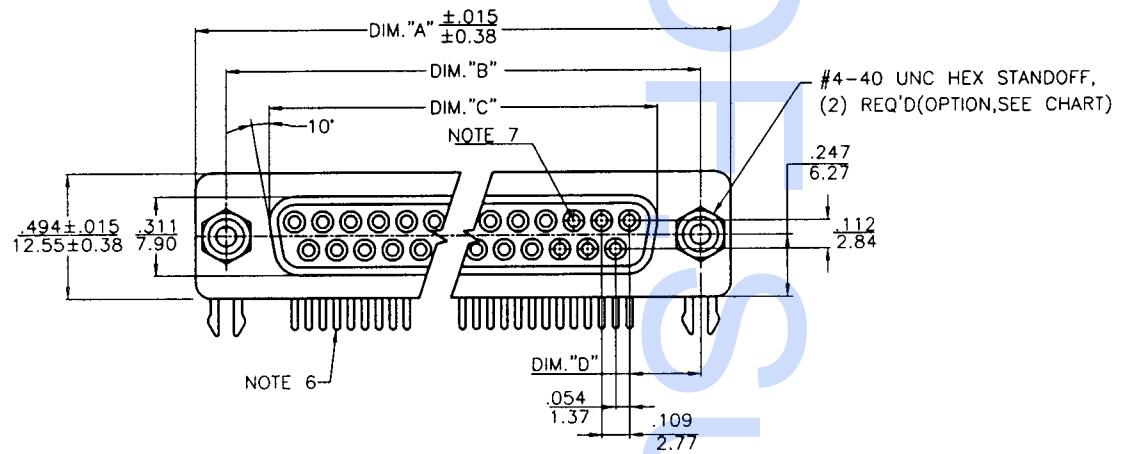
All rights strictly reserved. Reproduction or use in any form without the written permission of BERG ELECTRONICS is prohibited. Copyright BERG ELECTRONICS, Inc.

BERG
ELECTRONICS

All rights strictly reserved. Reproduction or use in any form without the written permission of BERG ELECTRONICS is prohibited. Copyright BERG ELECTRONICS, Inc.

PRODUCT NO.	NO. OF POS.	DIM "A" mm in	DIM "B" mm in	DIM "C" mm in	DIM "D" mm in
93888-XXXX09	9	30.84/1.214	24.99/0.984	16.26/0.640	6.96/.274
93888-XXXX15	15	39.24/1.545	33.32/1.312	24.56/0.967	6.96/.274
93888-XXXX25	25	53.04/2.088	47.04/1.852	38.30/1.508	6.91/.272
93888-XXXX37	37	69.34/2.730	63.50/2.500	54.76/2.156	6.83/.269

(NOTE 2)



SPACER TYPE SELECTION
SEE NOTE 2&7

mat'l. code		tolerances unless otherwise specified		CUSTOMER COPY		BERG ELECTRONICS		
ltr	ecn no	dr	date	linear	.0±0.3/.00±.01	projection	title	
A	T30253	JL	9/23/93		.00±0.13/.000±.005		D-SUB,R/A,FEMALE .318" FOOT PRINT	
B	T30297	JL	9/23/93		.000±0.051/.0000±.002			
C	T30337	JL	11/2/93	angles	0°±2°	MM/INCH	product family D-SUB	
D	T80575	BENNY	12/16/98	chr	J. LIN 9/23/93	scale	code	
				enr	J. LIN 9/23/93	A3	93888	
				chr	J. LIN 9/23/93			sheet
				bppd	C.M CHANG 9/23/93			1 of 4
sheet	revision	D	C	D	D			
index	sheet	1	2	3	4			

product no
SEE CHART

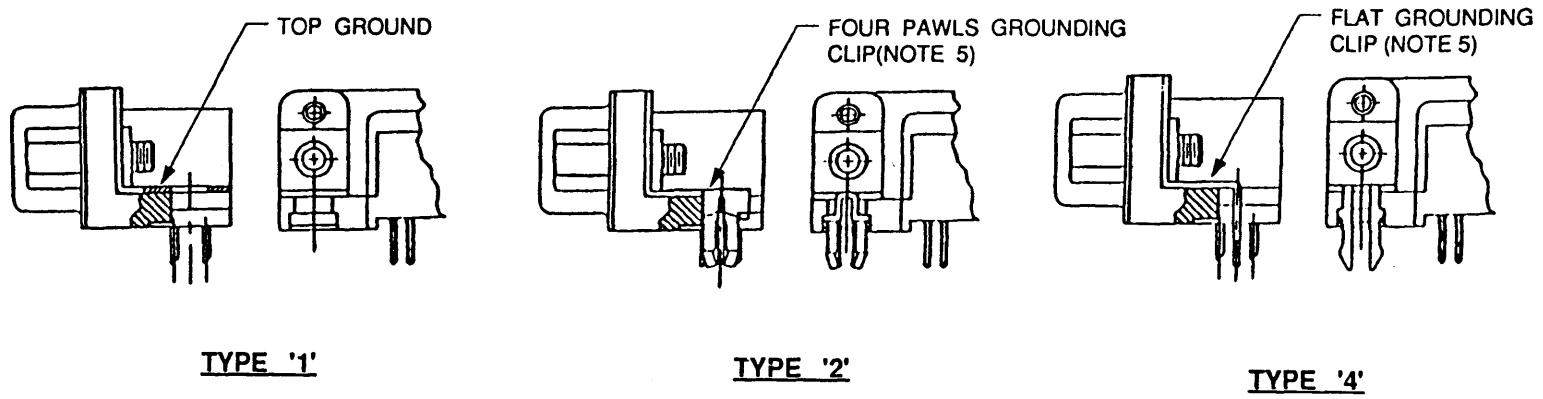


FIGURE 1. OPTIONS FOR GROUNDING CLIP

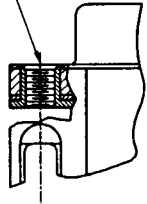
mat'l code SEE NOTE 1				tolerances unless otherwise specified		CUSTOMER COPY	BERG ELECTRONICS				
ltr	ecn no	dr	date	linear	0.0-0.38 / .00-0.15	projection	title				
C					0.00-0.25 / .000-0.10		D-SUB, R/A, FEMALE, .318" FOOT PRINT				
				angles	±0°30'		product family	D - SUB	code	TWN	
				dr	J. LIN		9/23/93	size	dwg no	93888	sheet
				engr	J. LIN	9/23/93	scale	A3			
				chr	J. LIN	9/23/93	scale	N/A			
				appd	C M CHANG	9/23/93					
sheet	revision										
index	sheet	1									

PRODUCT NO.

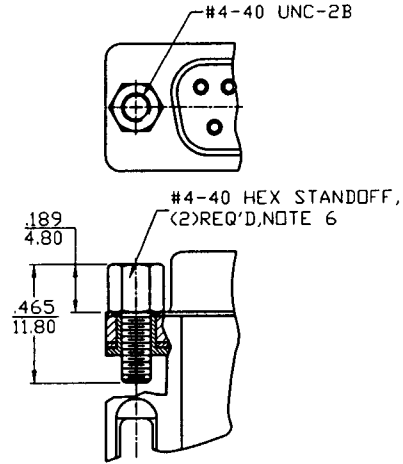
SEE CHART



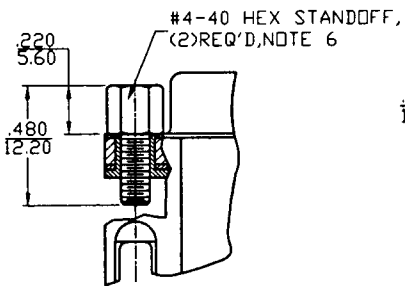
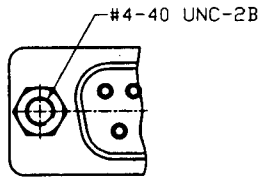
#4-40 UNC THREADED INSERT FLUSH MOUNT



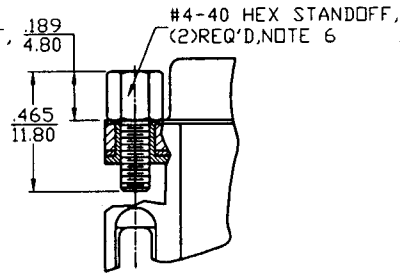
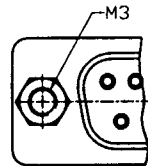
TYPE '0'



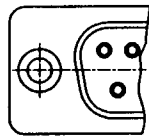
TYPE '1'



TYPE '2'

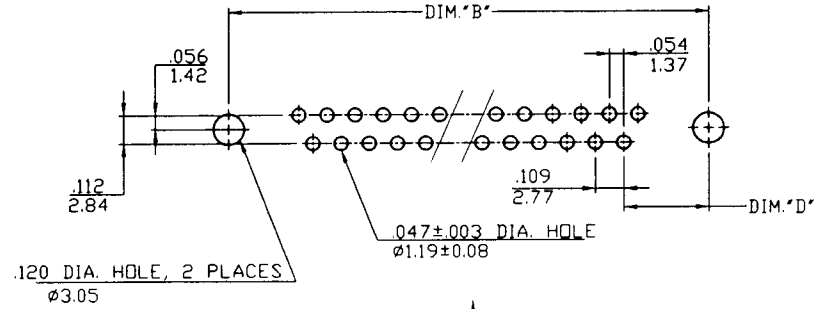


TYPE '3'



TYPE '9'

FIGURE 2. OPTIONS FOR HEX-NUT STANDOFF



MALE CONNECTOR MATING DIRECTION

FIGURE 3. RECOMMENDED P.C.B. LAYOUT (TOP VIEW)

All rights reserved. Reproduction in whole or in part without the written permission of BERG ELECTRONICS is prohibited. BERG ELECTRONICS is a registered trademark of BERG ELECTRONICS.

BERG
ELECTRONICS

All rights reserved. Reproduction in whole or in part without the written permission of BERG ELECTRONICS is prohibited. BERG ELECTRONICS is a registered trademark of BERG ELECTRONICS.

mat'l. code		tolerances unless otherwise specified		CUSTOMER COPY		BERG ELECTRONICS	
ltr	ecn no	dr	date	linear	.0±0.3/.00±.01	projection	title
D					.00±0.13/.000±.005		D-SUB,R/A,FEMALE, .318" FOOT PRINT
				angles	.000±0.051/.0000±.002	MM/INCH	product family
					0±2"	←	D-SUB
				dr	J. LIN	9/23/93	code
				enrg	J. LIN	9/23/93	size
				chr	J. LIN	9/23/93	dwg no
				pppd	C M CHANG	9/23/93	93888
sheet	revision			scale	A3		sheet
index	sheet						3 of

PRODUCT NO.

SEE CHART

NOTES :

1. MATERIAL :

- a. HOUSING: GF POLYESTER, FLAME RETARDANT PER UL94V-0, COLOR: BLACK.
- b. SHELL :STEEL STRIP WITH NIKEL OR TIN PLATING, THE SELECTION SEE NOTE 2.
- c. CONTACTS : PHOSPHOR BRONZE WITH GOLD PLATING ON THE CONTACT AREA AND TIN PLATING ON THE SOLDER TAIL. THE SELECTION SEE NOTE 2.

2. THE PART NUMBERS ARE ASSIGNED AS FOLLOWS:

93888-X X X X YY

NO. OF CONTACT

SHELL PLATING & SPACER TYPE: 1 FOR NICKEL SHELL WITH OPEN SPACER
 2 FOR NICKEL SHELL WITH CLOSE SPACER
 3 FOR TIN SHELL WITH OPEN SPACER
 4 FOR TIN SHELL WITH CLOSE SPACER

GROUNDING CLIP: 1 FOR TYPE "1", 2 FOR TYPE "2", 4 FOR TYPE "4"

HEX -STANDOFF: 0 FOR TYPE "0" 1 FOR TYPE "1", 2 FOR TYPE "2", 3 FOR TYPE "3", 9 FOR TYPE "9"

CONTACT PLATING: 0 FOR GOLD FLUSH
 1 FOR 10 MICROINCH GOLD.
 3 FOR 30 MICROINCH GOLD.
 5 FOR 15 MICROINCH GOLD.

3. RECOMMENDED PCB MOUNTING LAYOUT SHOWN IN FIGURE 3.

- 4. THE OPTIONS FOR GROUND CLIP PER FIGURE 1, AND FOR HEX-STANDOFF PER FIGURE 2.
- 5. GROUNDING CLIP: TYPE "2" AND TYPE "4" ARE FOR .120/3.05 DIA. PCB HOLE.
- 6. BOTH HEX-STANDOFF SHALL BE FASTERNED WITH D-SUB TOGETHER.
- 7. THERE ARE TWO TYPE OF SPACER, ONE IS THE OPEN(STANDARD) TYPE, THE OTHER IS THE CLOSE TYPE; THE SELECTION SEE NOTE 2.

All rights reserved. Reproduction or use in third parties is not permitted without the written consent of BERG ELECTRONICS. Copyright BERG ELECTRONICS 1993.



All rights reserved. Reproduction or use in third parties is not permitted without the written consent of BERG ELECTRONICS. Copyright BERG ELECTRONICS 1993.

mat'l. code		tolerances unless otherwise specified		CUSTOMER COPY		BERG ELECTRONICS		
tr	ecn no	dr	date	linear	projection	title		
D				.00±0.13/.000±.005		D-SUB,R/A, FEMALE, .318" FOOT PRINT		
				angles 0°±2'		product family	D-SUB	code
				dr	J. LIN	9/23/93	MM/INCH	size
				enr	J. LIN	9/23/93	←→	dwg no
				chr	J. LIN	9/23/93	scale	A3
				appd	C M CHANG	9/23/93		93888
sheet	revision							sheet
index	sheet							4 of