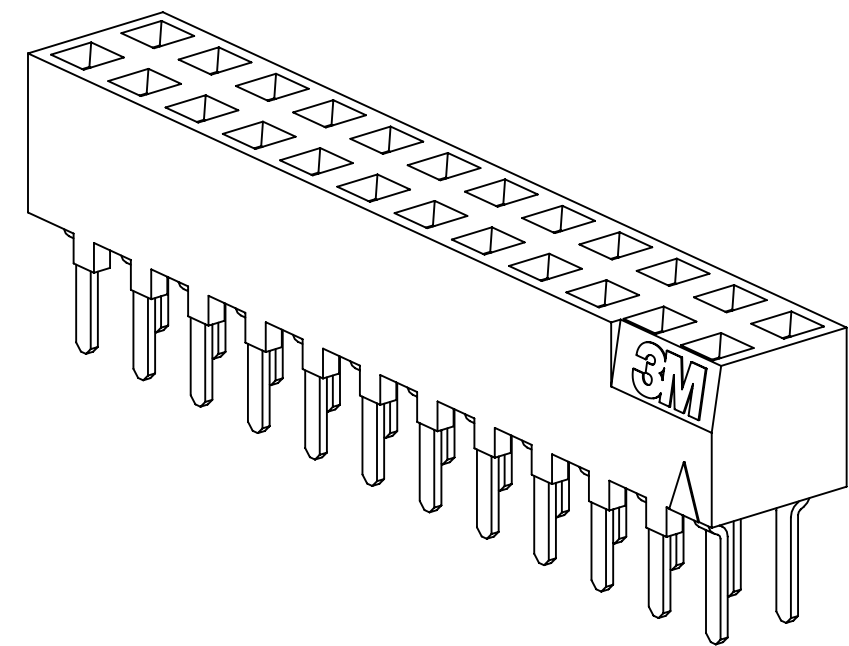
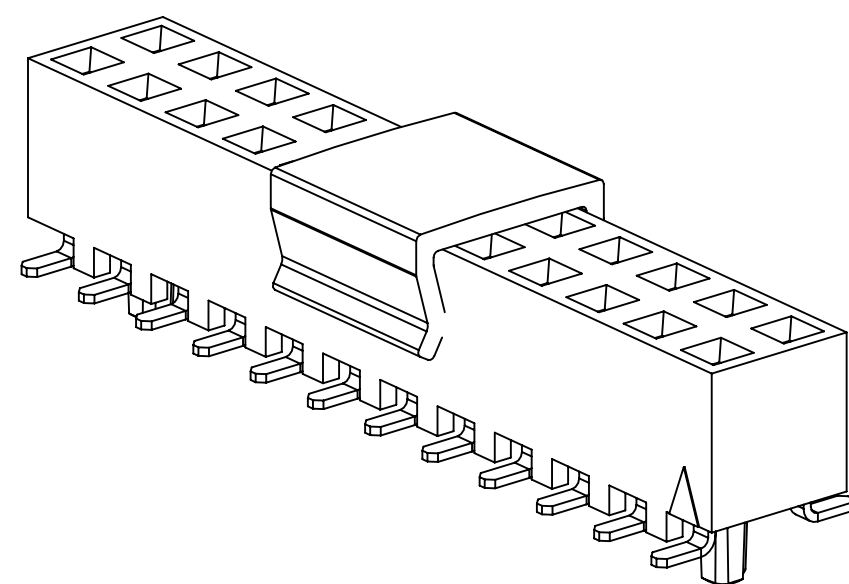


3M™ BOARDMOUNT SOCKET, 1502 SERIES
 2.00MM X 2.00MM STRAIGHT AND SURFACE MOUNT, PLATED THROUGH HOLE



STRAIGHT
VERSION



SURFACE MOUNT
VERSION

2 PHYSICAL :

INSULATOR :
 MATERIAL : HIGH TEMP THERMOPLASTIC
 CONTACT :
 MATERIAL : COPPER ALLOY
 PLATING :
 UNDER PLATING : 1.27-3.8µm (50-150µ") NICKEL-OVERALL
 WIPING : .76µm (30µ") GOLD
 SOLDER : 5.1µm (200µ") MATTE TIN (RIA E1 & C1 APPLY)
 FINISHING : ORIENTATION DELTA AND 3M LOGO (EXCEPT SURFACE MOUNT)

2 ELECTRICAL :

CURRENT RATING : 1A
 VOLTAGE RATING : 150V_{AC} PER EIA-364-20
 INSULATION RESISTANCE : >1 X 10⁹ OHM AT 250V_{DC}
 WITHSTANDING VOLTAGE : 500V_{DC} AT SEA LEVEL

2 ENVIRONMENTAL :

TEMPERATURE RATING : -55° C TO 105° C
 PROCESS RATING : MAX. 260° C (PER J-STD-020C)
 HUMIDITY SENSITIVITY LEVEL : 1 (PER J-STD-020C)

DISCONTINUED 7/17

- NOTES
1. REGULATORY INFORMATION: ROHS COMPLIANT. SEE THE REGULATORY INFORMATION APPENDIX (RIA) IN THE "ROHS COMPLIANCE" SECTION OF WWW.3MCONNECTORS.COM FOR COMPLIANCE INFORMATION.
 2. IN THE EVENT OF CONFLICT BETWEEN THIS DATA AND THAT CONTAINED IN THE PRODUCT SPECIFICATION, THE PRODUCT SPECIFICATION TAKES PRECEDENT.
 3. TAPE & REEL INCLUDE VACUUM PICK-UP CAP FOR PICK 'N PLACE HANDLING EQUIPMENT.
 4. PARTS IN TRAY PACKAGING ARE SUPPLIED WITHOUT VACUUM CAP.
 5. POSITIONS PER ROW, SUBTRACT 1, MULTIPLY BY 2MM SPACING.
 6. OPTIONAL LOCATOR POSTS: POSITIONS PER ROW, MULTIPLY BY 2MM SPACING, THEN SUBTRACT 4MM. POSTS ARE ONLY AVAILABLE FOR POSITIONS 08 AND GREATER.

DIMENSIONS: MM (INCH)
 (INCH) FOR REF. ONLY

REV	ECO	ISSUE DATE AND DESCRIPTION	DRFT	CHKD
		SEP 03, 2015 REDRAWN & REMOVED RIGHT ANGLE	JNC	ARM
DESIGN REFERENCE	NEXT ASSEMBLY	DATE	DATE	DATE
CASTIGLIONE		SEP 03, 2015		SEP 03, 2015
DIVISION	DIVISION CODE	APPR	DATE	DATE
	EMSD	G. MATHEWS	SEP 03, 2015	
DO NOT SCALE DRAWING	SCALE	TOLERANCES EXCEPT AS NOTED	© 3M COPYRIGHT 2015 This document and the information it contains are 3M property and may not be reproduced or further distributed without 3M permission, or used or disclosed other than for 3M authorized purposes. All rights reserved.	
	6/1	INCHES	TITLE	
		.00 ± .01 .000 ± .005 .0000 ±	BOARDMOUNT SOCKET, 2MM X 2MM, STRAIGHT & SMT, PAC 20	
THIRD ANGLE PROJECTION	INTERPRET PER ASME Y14.5 - 2009	MILLIMETERS	CAGE NUMBER	DRAWING NO.
		0 ± .3 .00 ± .13 .000 ±	D78-5100-0519-8	K
MAX SURFACE ROUGHNESS	MARKED ONLY	ANGLES	MODEL	REV.
			1502	1

www.pdf.support

3M™ ELECTRONICS MATERIALS SOLUTIONS DIVISION
 INTERCONNECT SOLUTIONS
<http://www.3mconnectors.com>

3M IS A TRADEMARK OF 3M COMPANY.
 FOR TECHNICAL, SALES OR ORDERING
 INFORMATION CALL 800-225-5373

UL FILE NO: E68080

78-5100-0519-8 K REV. 10/15/2015 1:02 PM UTC-05:00

3M™ BOARDMOUNT SOCKET, 1502 SERIES
 2.00MM X 2.00MM STRAIGHT AND SURFACE MOUNT, PLATED THROUGH HOLE

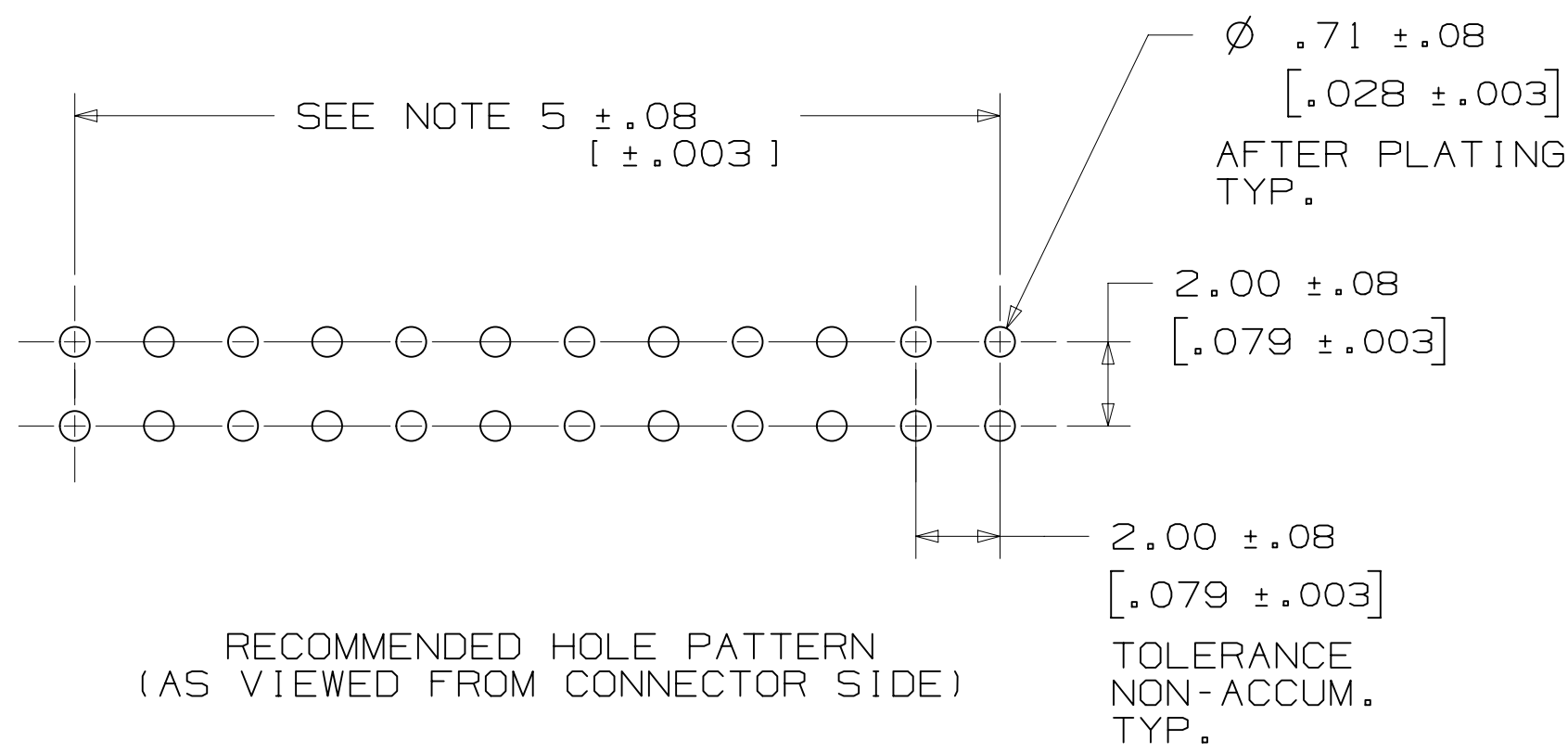
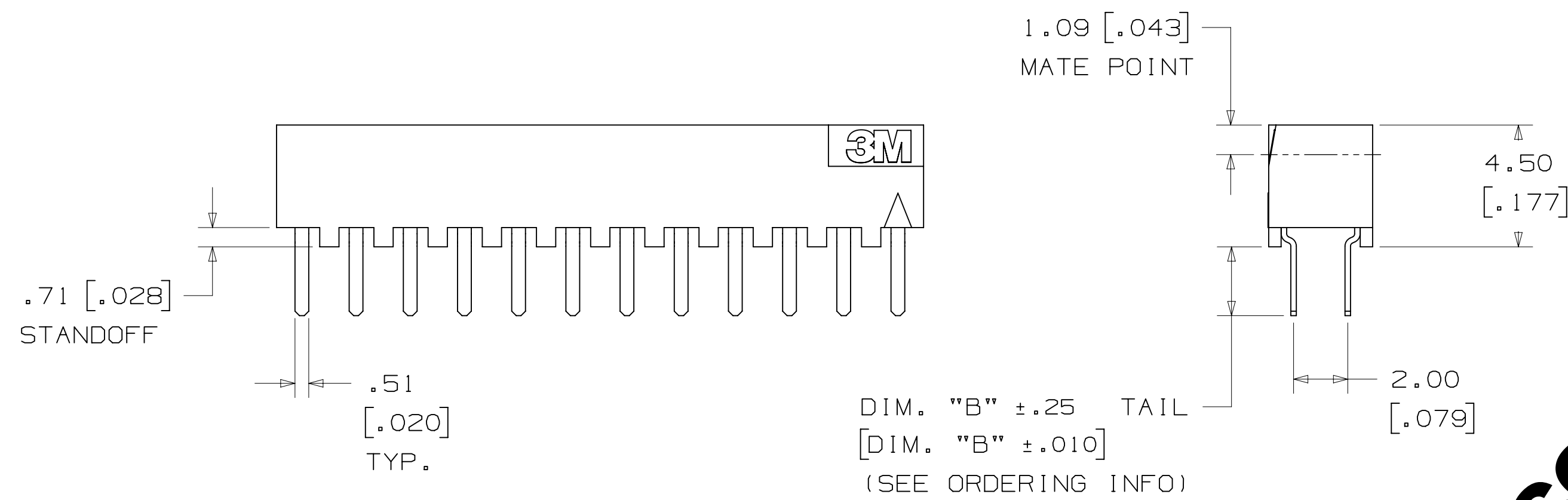
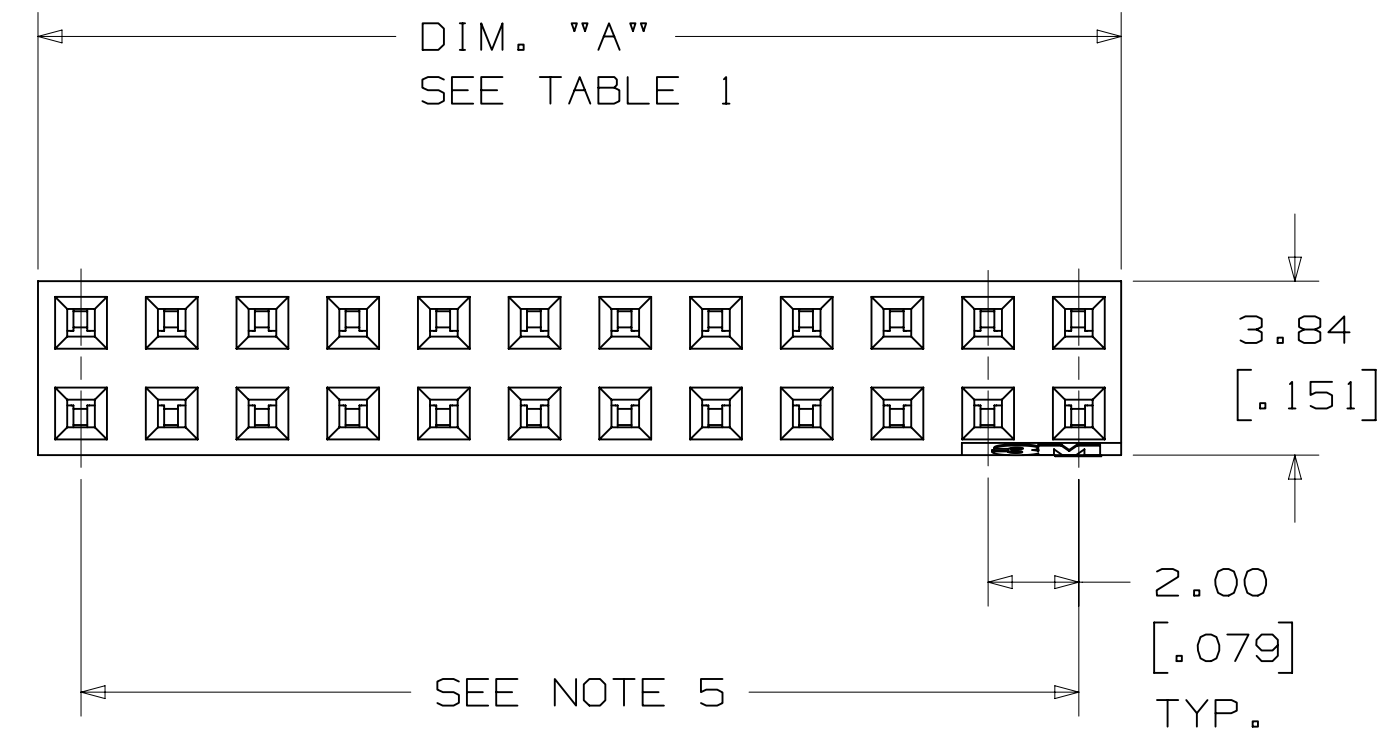


TABLE 1	
CONTACT QTY.	DIM. "A"
04	3.96 [.156]
06	5.87 [.231]
08	7.87 [.310]
10	9.88 [.389]
12	11.86 [.467]
14	13.87 [.546]
16	15.88 [.625]
18	17.88 [.704]
20	19.86 [.782]
22	21.87 [.861]
24	23.88 [.940]
26	25.88 [1.019]
28	27.86 [1.097]
30	29.87 [1.176]
32	31.88 [1.255]
34	33.88 [1.334]
36	35.86 [1.412]
38	37.87 [1.491]
40	39.88 [1.570]
42	41.88 [1.649]
44	43.87 [1.727]
46	45.87 [1.806]
48	47.88 [1.885]
50	49.89 [1.964]
52	51.87 [2.042]
54	53.87 [2.121]
56	55.88 [2.200]
58	57.86 [2.278]
60	59.87 [2.357]

DISCONTINUED 1/17

ORDERING INFORMATION
 STRAIGHT
 1502XX-600X-RB

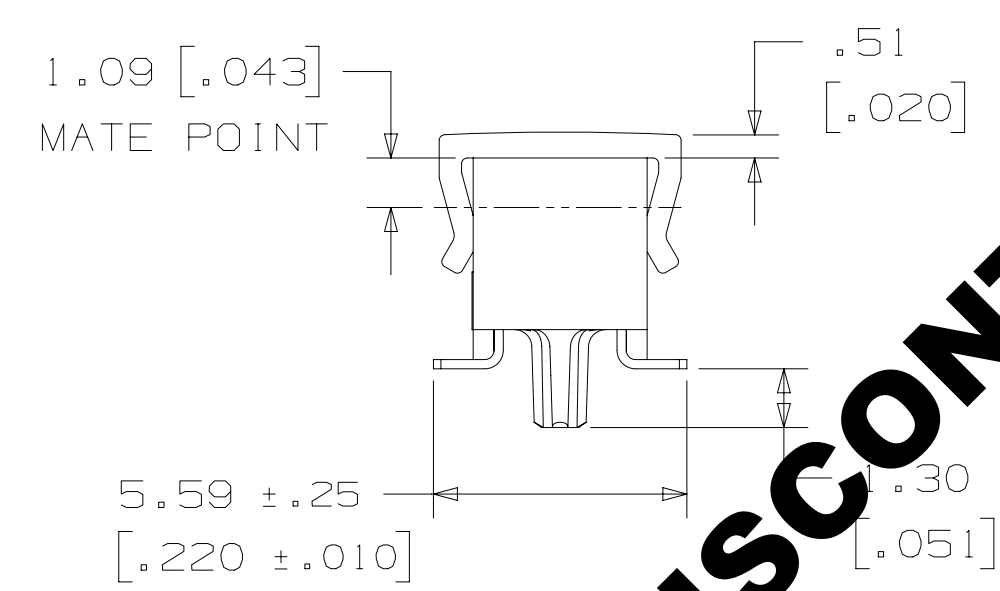
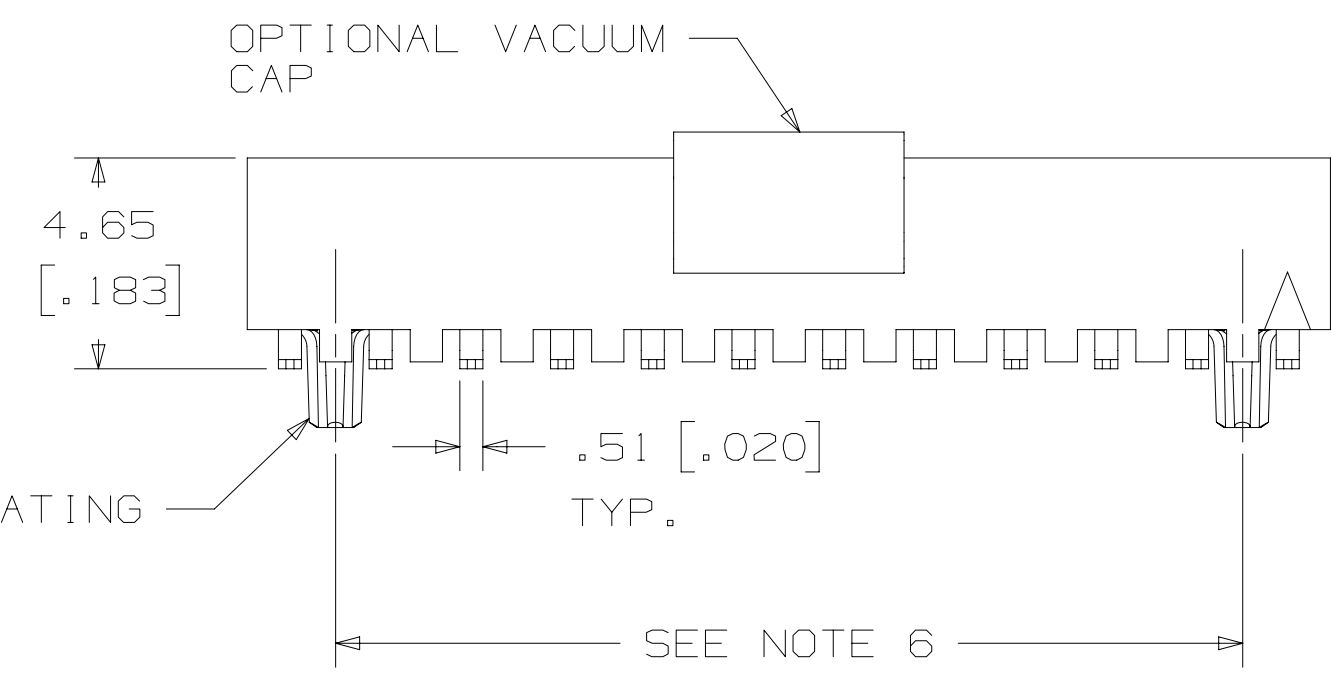
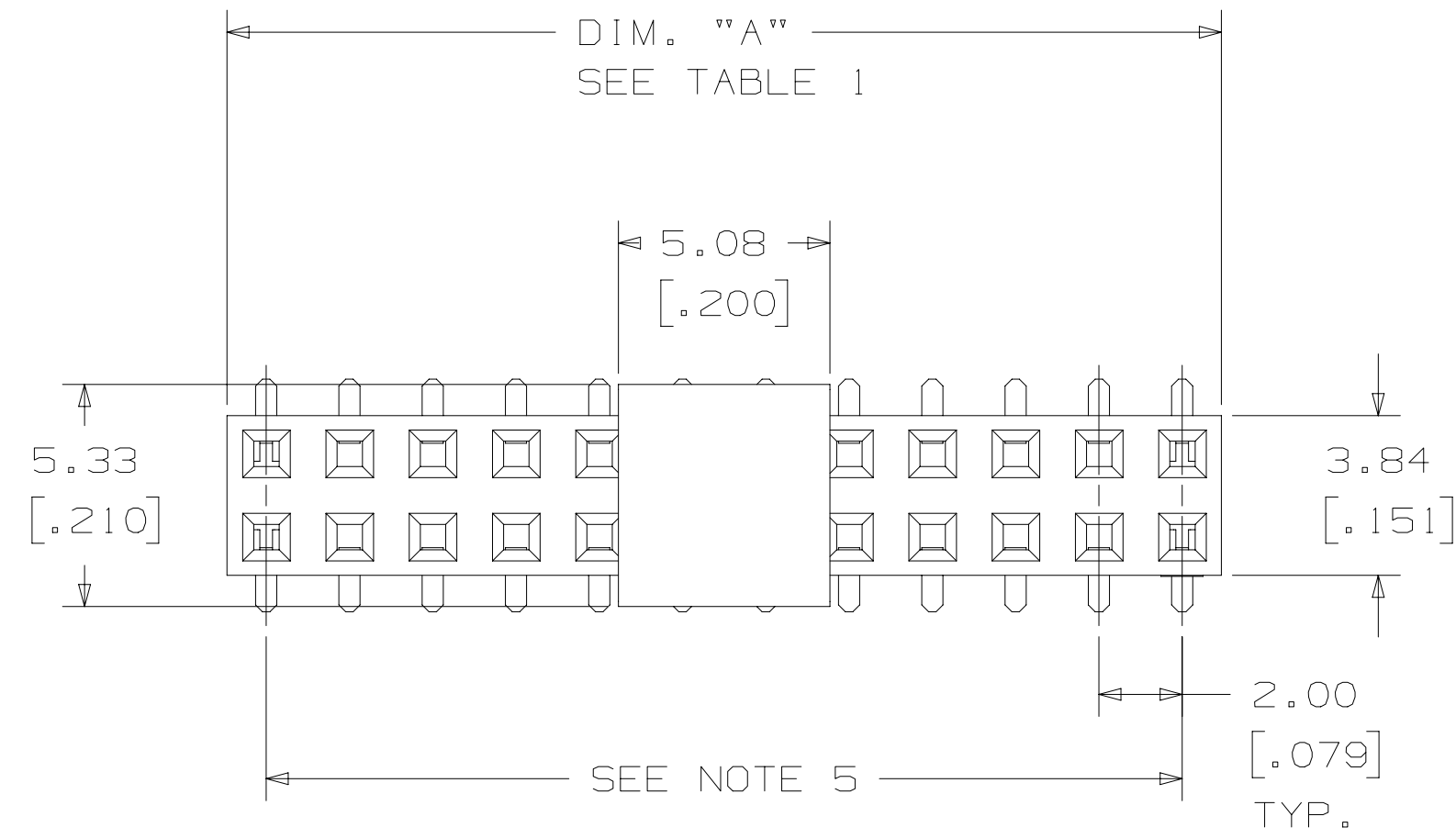
CONTACT QTY.:
 SEE TABLE 1

SOLDER TAIL LENGTH:
 DIMENSION "B"
 1 = 1.4MM (SPECIAL ORDER)
 2 = 2.54MM (STANDARD)

DESIGN REFERENCE	NEXT ASSEMBLY	REV	ECO	ISSUE DATE AND DESCRIPTION	DRFT	CHKD
				SEP 03, 2015 REDRAWN & REMOVED RIGHT ANGLE		
APPROVED	DATE	APPROVED	DATE	© 3M COPYRIGHT 2015 This document and the information it contains are 3M property and may not be reproduced or further distributed without 3M permission, or used or disclosed other than for 3M authorized purposes. All rights reserved.		
CASTIGLIONE	SEP 03, 2015	G. MATHEWS	SEP 03, 2015			
DO NOT SCALE DRAWING SCALE 6/1 TOLERANCES EXCEPT AS NOTED INCHES .00 ± .01 .000 ± .005 .0000 ±		MILLIMETERS 0 ± .3 .00 ± .13 .000 ±		TITLE BOARDMOUNT SOCKET, 2MM X 2MM, STRAIGHT & SMT, PAC 20		
THIRD ANGLE PROJECTION INTERPRET PER ASME Y14.5 - 2009		MAX SURFACE ROUGHNESS UNFINISHED SURFACES MARKED ONLY		CAGE NUMBER D78-5100-0519-8 MODEL 1502		
				REV. 1 DET. [] YES [X] NO SHT 2 OF 3		

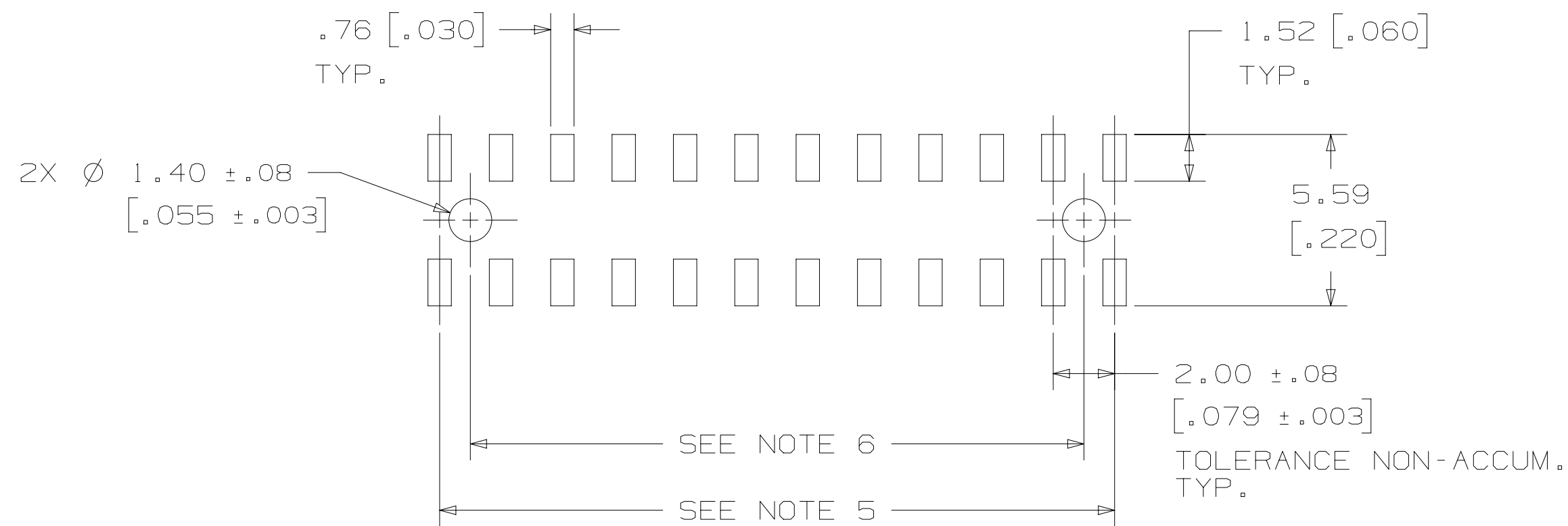
78-5100-0519-8
 DRAWING NUMBER
 K
 REVISION
 10/15/2015 1:02 PM UTC-05:00
 K
 REV.

3M™ BOARDMOUNT SOCKET, 1502 SERIES
 2.00MM X 2.00MM STRAIGHT AND SURFACE MOUNT, PLATED THROUGH HOLE



DISCONTINUED 1/17

CONTACT QTY.	DIM. "A"	TAPE WIDTH	ORDER CODE
04	3.96 [.156]	N/A	N/A
06	5.87 [.231]	N/A	N/A
08	7.87 [.310]	24 MM	WB
10	9.88 [.389]	24 MM	WB
12	11.86 [.467]	24 MM	WB
14	13.87 [.546]	24 MM	WB
16	15.88 [.625]	24 MM	WB
18	17.88 [.704]	44 MM	WD
20	19.86 [.782]	44 MM	WD
22	21.87 [.861]	44 MM	WD
24	23.88 [.940]	44 MM	WD
26	25.88 [1.019]	44 MM	WD
28	27.86 [1.097]	44 MM	WD
30	29.87 [1.176]	44 MM	WD
32	31.88 [1.255]	56 MM	WE
34	33.88 [1.334]	56 MM	WE
36	35.86 [1.412]	56 MM	WE
38	37.87 [1.491]	56 MM	WE
40	39.88 [1.570]	56 MM	WE
42	41.88 [1.649]	56 MM	WE
44	43.87 [1.727]	72 MM	WF
46	45.87 [1.806]	72 MM	WF
48	47.88 [1.885]	72 MM	WF
50	49.89 [1.964]	72 MM	WF
52	51.87 [2.042]	72 MM	WF
54	53.87 [2.121]	72 MM	WF
56	55.88 [2.200]	72 MM	WF
58	57.86 [2.278]	88 MM	WG
60	59.87 [2.357]	88 MM	WG



RECOMMENDED PAD PATTERN
 (AS VIEWED FROM CONNECTOR SIDE)

ORDERING INFORMATION
 SURFACE MOUNT
 1502XX-20X0-RB-XX

CONTACT QTY.:
 SEE TABLE 1

BOARD LOCATION POST:
 0 = NONE (STANDARD)
 2 = WITH BOARD LOCATION POSTS
 (SPECIAL ORDER)

PACKAGING STYLE:
 BLANK = TRAY PACKAGING
 WX = TAPE & REEL PACKAGING
 (SEE TABLE 1 FOR ORDERING CODE)

DESIGN REFERENCE	NEXT ASSEMBLY	REV	ECO	ISSUE DATE AND DESCRIPTION	DRFT	CHKD
				SEP 03, 2015 REDRAWN & REMOVED RIGHT ANGLE		
APPROV	DATE	DATE	DATE	DATE	DATE	DATE
CASTIGLIONE	SEP 03, 2015	MFG				
CHKD		APPV				
		G. MATHEWS				
DIVISION	DIVISION CODE	© 3M COPYRIGHT 2015 This document and the information it contains are 3M property and may not be reproduced or further distributed without 3M permission, or used or disclosed other than for 3M authorized purposes. All rights reserved.				
DO NOT SCALE DRAWING	SCALE 6/1	TOLERANCES EXCEPT AS NOTED	3M Center St. Paul, MN 55144			
THIRD ANGLE PROJECTION	INCHES	0 ± .01	TITLE BOARDMOUNT SOCKET, 2MM X 2MM, STRAIGHT & SMT, PAC 20			
INTERPRET PER ASME Y14.5 - 2009	MILLIMETERS	0 ± .13	CAGE NUMBER D 78-5100-0519-8			
MAX SURFACE ROUGHNESS	ALL SURFACES	0.000 ±	DRAWING NO. 78-5100-0519-8			
MARKED ONLY	ANGLES		REV. K			
			MODEL 1502			
			DET 151s			
			YES <input checked="" type="checkbox"/> NO <input type="checkbox"/> SHT 3 OF 3			

Mouser Electronics

Authorized Distributor

Click to View Pricing, Inventory, Delivery & Lifecycle Information:

3M:

[150208-6002-TB](#) [150212-6002-TB](#) [150220-5022-TB](#) [150244-5122-TB](#) [150244-5222-TB](#) [150250-5022-TB](#) [150250-5202-TB](#) [150250-5222-TB](#) [150260-6002-TB](#) [150236-5002-TB](#) [150236-5022-TB](#) [150208-5002-RB](#) [150210-5002-RB](#) [150210-5102-RB](#) [150216-2000-RB-WB](#) [150220-5002-RB](#) [150222-6002-RB](#) [150230-5002-RB](#) [150232-6001-RB](#) [150238-6001-RB](#) [150254-6002-RB](#) [150256-6002-RB](#) [150226-6002-TB](#) [150240-5002-TB](#) [150210-5002-TB](#) [150244-5202-RB](#) [150244-2000-RB-WF](#) [150232-2000-RB-WE](#) [150240-5022-RB](#) [150222-2000-RB-WD](#) [C3756/100](#) [C3756/20](#) [C3756/26](#) [C3756/34](#) [C3756/50](#) [C3756/60](#) [C3756/68](#) [C3756/80](#) [150230-6002-RB](#) [150244-6002-TB](#) [150240-6002-TB](#) [150250-6002-TB](#) [150244-5002-TB](#) [150220-6002-TB](#) [150210-6002-TB](#) [150230-6002-TB](#) [150250-5002-TB](#) [150230-5002-TB](#) [150220-5002-TB](#) [150234-6002-TB](#) [150224-6002-TB](#) [150244-5202-TB](#) [150214-6002-TB](#) [150216-5002-RB](#) [150226-6002-RB](#) [150234-6002-RB](#) [150244-5222-RB](#) [150204-2000-RB](#) [150204-6002-RB](#) [150206-2000-RB](#) [150206-2000-TB](#) [150206-6001-RB](#) [150206-6002-RB](#) [150206-6002-TB](#) [150208-2000-RB-WB](#) [150208-6002-RB](#) [150210-2000-RB-WB](#) [150210-2020-RB-WB](#) [150210-6002-RB](#) [150212-2000-RB-WB](#) [150212-2020-RB-WB](#) [150212-6002-RB](#) [150214-6002-RB](#) [150216-2020-RB-WB](#) [150216-6002-RB](#) [150218-6002-RB](#) [150220-5022-RB](#) [150220-5122-RB](#) [150220-6002-RB](#) [150224-2000-RB-WD](#) [150224-2020-RB-WD](#) [150224-5002-RB](#) [150224-5022-RB](#) [150224-6002-RB](#) [150226-2020-RB-WD](#) [150226-5002-RB](#) [150228-6002-RB](#) [150232-2020-RB-WE](#) [150232-6002-RB](#) [150234-5002-RB](#) [150236-5002-RB](#) [150240-5002-RB](#) [150240-6002-RB](#) [150244-5002-RB](#) [150244-5022-RB](#) [150244-5122-RB](#) [150244-6002-RB](#) [150250-2020-RB-WF](#) [150250-5002-RB](#) [150250-5022-RB](#)