



MILITARY AND COMMERCIAL AVIATION

MIL - DTL - 26500 SERIES



THREADED & BAYONET CONNECTORS FOR DEMANDING ENVIRONMENTS





## CONNECTORS FOR DEMANDING ENVIRONMENTS

THREADED AND BAYONET

MILITARY AND COMMERCIAL AVIATION



This catalog defines rms MIL-DTL-26500, Series III Connectors. There are varieties of connectors within this cylindrical family, with the following options and characteristics available:

- » Two coupling styles: Bayonet and Threaded Plugs and Receptacles.
- » Both coupling styles inter-mate with MIL-DTL-83723 connectors (exception: shell size 8 threaded, does not mate with M83723 threaded).
- » Aluminum and passivated stainless steel versions.
- » A variety of mounting configurations.
- » A variety of material finishes are offered such as electroless nickel, olive drab cadmium and black anodizing. Other finishes are available with a commercial equivalent.
- » Alternate key/keyway positions prevent cross mating of adjacent connectors having the same insert arrangement.
- » Positive alignment of pin contacts by the lead in chamfers of the closed entry hard socket inserts, for select Boeing products.
- » The elastomer grommet is able to seal over a wide range of wire diameters and has a triple wire seal in each cavity.
- » The front release crimped contact retainer system features a retaining clip captivated by molded in shoulders of each contact cavity in the insulator. This produces a very stable contact.
- » Can be ordered by military, Boeing, or equivalent rms part numbers.

Should you require more information or have a special application need arise, please contact:



8600 Evergreen Blvd.  
Minneapolis, MN 55433

763.786.1520  
800.373.1520

rmsconnectorscs@machine.com

**rms Connectors Overview . . . . . 4**

General Operating Features  
Contact Ordering Information  
Contacts, Seal Plugs, and Tools

**Shell & Insert Configuration . . . . . 5**

Available Inserts [diagrams]

**rms Connectors Continued . . . . . 7**

General Performance Characteristics

**R0716 Series . . . . . 8**

Bayonet Plug, MIL-DTL-26500

**R0717 Series . . . . . 10**

Square Flange Bayonet Receptacle, MIL-DTL-26500

**R0718 Series . . . . . 12**

Threaded Plug, MIL-DTL-26500

**R0719 Series . . . . . 14**

Threaded Receptacle, MIL-DTL-26500

**R0701 Series . . . . . 16**

Bayonet Receptacle

**R0700 Series . . . . . 18**

Bayonet Plug, Vibration Resistant

**R0700, R0712/R0701 Series . . . . . 20**

Test Data/Vibration

**R0710 Series . . . . . 23**

Threaded Plug, Self-locking

**R0711 Series . . . . . 26**

Threaded Receptacle

**R0710/R0711 Series . . . . . 28**

Test Data Vibration

**R0712 Series . . . . . 29**

Bayonet Plug, Vibration Resistant

**R0708 Series . . . . . 31**

Flange Mount Threaded Coupling, Non-removable  
for Terminating on PC Board or Flex Circuitry

**R0709 Series . . . . . 34**

Flange Mount Bayonet Coupling, Removable Contact  
For Terminating on PC Board or Flex Circuitry

**R0713 Series . . . . . 38**

Flange Mount Bayonet Coupling, Non-removable  
Contact for Terminating on PC Board or Flex Circuitry

**R0714 Series . . . . . 42**

Flange Mount Bayonet Coupling, Non-Removable  
Contact for Terminating on PC Board or Flex Circuitry

**R0715 Series . . . . . 44**

Special Flange Mount Receptacle  
For Confined Space

**R0726 Series . . . . . 46**

Threaded Plug, Self-locking

**R0727 Series . . . . . 48**

Threaded Receptacle

**rms Company . . . . . 50**

General Information  
Distributor Information

**R0716 Series**

MS24266  
(\*BACC45FT)



**R0717 Series**

MS24264  
(\*BACC45FN)



**R0718 Series**

MS24266  
(\*BACC45FS)



**R0719 Series**

MS24264  
(\*BACC45FM)



**R0701 Series**

(\*BACC63CC)



**R0700 Series**

(\*BACC63CB)



**R0710 Series**

(\*BACC63BP)



**R0711 Series**

(\*BACC63BV)



**R0712 Series**

(\*BACC63BN)



**R0708 Series**



**R0709 Series**



**R0713 Series**



**R0714 Series**



**R0715 Series**



**R0726 Series**

(\*BACC DY)



**R0727 Series**

(\*BACC63DW)



\* Boeing Commercial Airplane Standard Series  
Connectors not shown actual size.

# rms Connectors Overview

## General Operating Features of Electrical Connectors from rms

This catalog describes several series of electrical connectors manufactured by rms that are either listed on QPL-26500 or are derivatives of MIL-DTL-26500.

### Features of the connectors described include:

1. Meeting requirements of MIL-DTL-26500.
2. Contacts that are rear insertion/ front removable, front insertion/ front removable, and non-removable.
3. Connectors that utilize crimp contact, wire wrap, or soldering to flex circuitry and printed circuit boards.
4. Extreme vibration level exposure, bayonet and threaded coupling.
5. Self-locking threaded coupling connectors.

## Contact Ordering Information

rms connectors may be ordered with or without contacts by using the order code included with the rms catalog part number.

Contacts included with the package are sufficient to complete the connector termination plus two (2) spares. When contacts are ordered, seal plugs are also included for use when no wire is terminated. Three (3) plugs minimum are included up to a maximum of 15% of contact holes.

## Contact Tools \*\*

Contact Size	Crimp Frame	Crimp Tool Turret	Insertion Tool		Removal Tool	
			Superseded No.	Current No.	Superseded No.	Current No.
No. 20	M22520/1-01	M22520/01-02	MS24256A20	M81969/17-03 DAK-379 *	MS24256R20	M81969/19-06
No. 16			MS24256A16	M81969/17-04	MS24256R16	M81969/19-01
No. 12			MS24256A12	M81969/17-05	MS24256R12	M81969/19-02

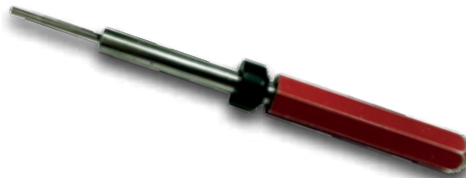
\* May be used when wire size is less than .060 diameter.

\*\* Tools are listed for reference only. They are available from Tool Manufacturers or their authorized distributor.

**Crimp Tool/Turret**



**Removal Tool**



**Insertion Tool**



## Contacts

For use with MIL-DTL-26500 QPL'd Connectors

Contact Size	Wire Size AWG	Max. Current Rating Amps	MS Part Number	
			Pin	Socket
No. 20	24	3.0	M39029/31-627	M39029/32-260
	22	5.0		
	20	7.5		
No. 16	18	16	M39029/31-229	M39029/32-248
	16	22		
No. 12	14	32	M39029/31-235	M39029/32-254
	12	41		

## Contacts

For use with Boeing QPL'd Connectors

Contact Size	Wire Size AWG	Max. Current Rating Amps	*Boeing Part Number	
			Pin	Socket
No. 20	24	3.0	BACC47CN1S	BACC47CP1S
	22	5.0		
	20	7.5		
No. 16	18	16	BACC47CN2S	BACC47CP2S
	16	22		
No. 12	14	32	BACC47CN3S	BACC47CP3S
	12	41		

\* This contact has been Boeing approved for use with high-performance connectors.

## Seal Plugs

Size	Color Code	MS Part Number
20	Red	MS27488-20-2
16	Green	MS27488-16-2
12 & #1 Shielded	Orange	MS27488-12-2

# Shell & Insert Configuration

(Showing front face of socket inserts)

## Shell Size - 8



2 #20 Contacts  
Insert 8-2  
08-02\*



3 #20 Contacts  
Insert 8-3  
08-03\*



2 #20 Contacts  
Insert 10-2  
10-02\*

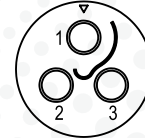


5 #20 Contacts  
Insert 10-5  
10-05\*



2 #16 Contacts  
Insert 10-20

## Shell Size - 12

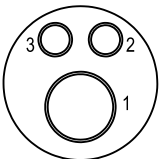


3 #16 Contacts  
Insert 12-3  
12-03\*

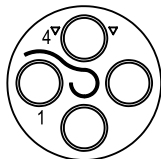


12 #20 Contacts  
Insert 12-12

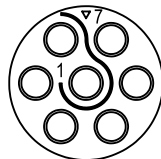
## Shell Size - 14



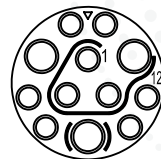
2 #16 Contacts  
1 #2 Shielded Contact  
Insert 14-3  
14-03\*



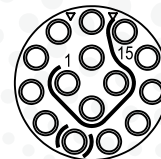
4 #12 contacts  
Insert 14-4t  
14-04\*



7 #16 contacts  
Insert 14-7  
14-07\*

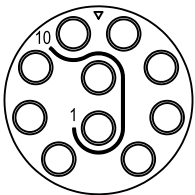


9 #20 contacts  
3 #16 contacts  
Insert 14-12

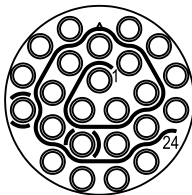


15 #20 contacts  
Insert 14-15

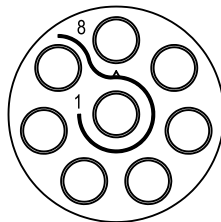
## Shell Size - 16



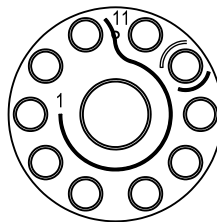
10 #16 contacts  
Insert 16-10



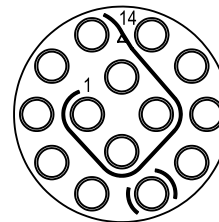
24 #20 contacts  
Insert 16-24



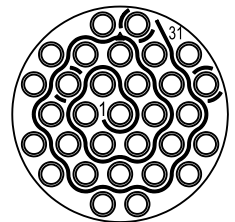
8 #12 contacts  
Insert 18-8t  
18-08\*



10 #16 contacts  
1 #2 shielded contact  
Insert 18-11

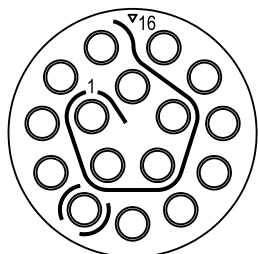


14 #16 contacts  
Insert 18-14

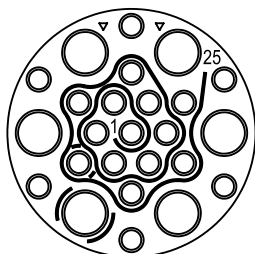


31 #20 contacts  
Insert 18-31

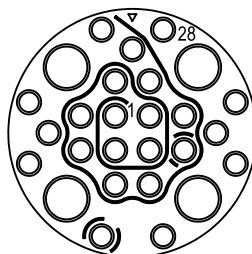
## Shell Size - 20



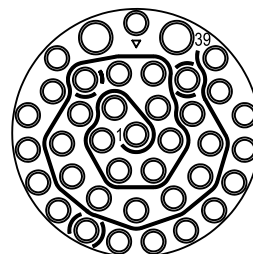
16 #16 contacts  
Insert 20-16



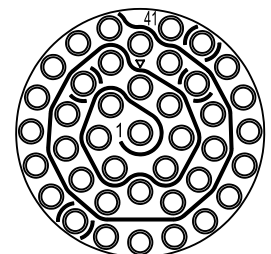
19 #20 contacts  
6 #12 contacts  
Insert 20-25t



24 #20 contacts  
4 #12 contacts  
Insert 20-28t



37 #20 contacts  
2 #16 contacts  
Insert 20-39



41 #20 contacts  
Insert 20-41

\* - rms designation

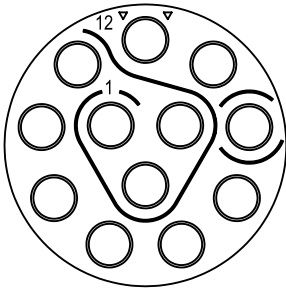
t - #1 shielded contact is interchangeable with #12 power contact

Consult factory for insert availability within a connector series.

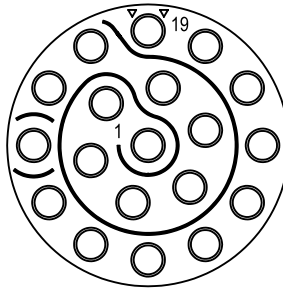
Insert Arrangements are per MIL-STD-1554 except 24-30 and 28-42, which are included in Boeing standards.

(Continued On Next Page)

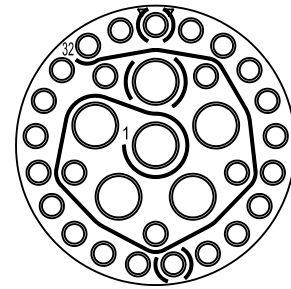
## Shell Size - 22



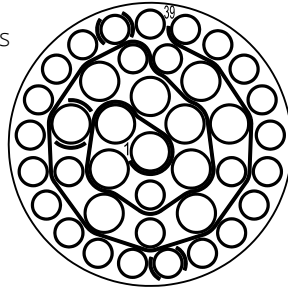
12 #12 contacts  
Insert 22-12t



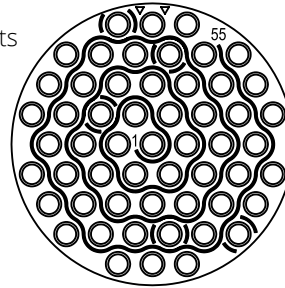
19 #16 contacts  
Insert 22-19



26 #20 contacts  
6 #12 contacts  
Insert 22-32t

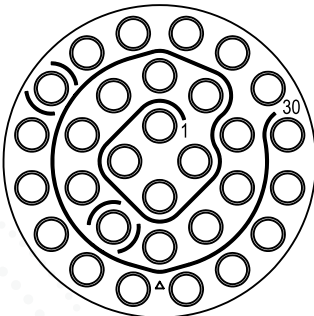


27 #20 contacts  
12 #16 contacts  
Insert 22-39

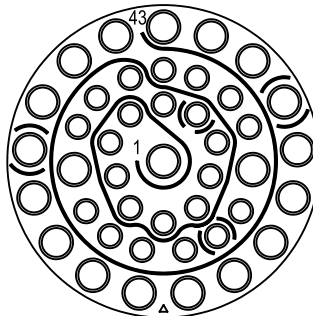


55 #20 contacts  
Insert 22-55

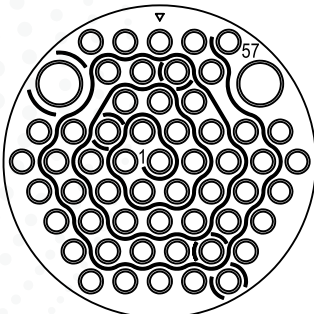
## Shell Size - 24



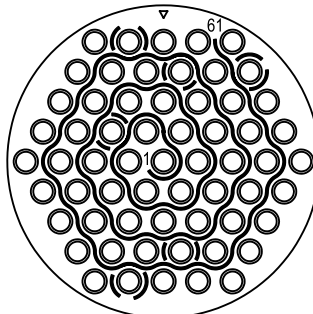
30 #16 contacts  
Insert 24-30



23 #20 contacts  
20 #16 contacts  
Insert 24-43

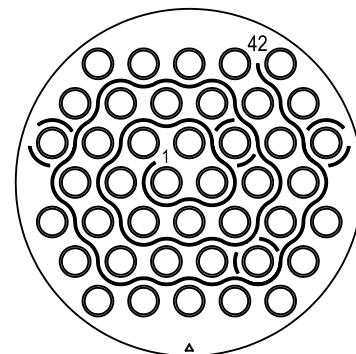


55 #20 contacts  
2 #12 contacts  
Insert 24-57t



61 #20 contacts  
Insert 24-61

## Shell Size - 28



42 #16 contacts  
Insert 28-42

\* - rms designation

t - #1 shielded contact is interchangeable with #12 power contact

Consult factory for insert availability within a connector series.

Insert Arrangements are per MIL-STD-1554 except 24-30 and 28-42, which are included in Boeing standards.

# General Performance Characteristics

Test Description	Test Requirement	Test Result
<b>Maintenance Aging</b>	Connectors shall be coupled and uncoupled 10 times. Minimum of 10 contacts removed and reinserted 10 times. Connectors shall meet requirements of all succeeding tests.	There was no observable damage. Connectors met or exceeded requirements of all succeeding tests.
<b>Contact Retention</b>	Axial loads (20 lbs.—size 20; 25 lbs.—size 16; 30 lbs.—size 12) shall be applied to the front and rear of individual contacts in unmated connectors. The rate of application shall be approximately one pound per second. Axial displacement shall be .012 inch maximum when the pressure is applied from the front side.	Maintains load after 10 cycles. Axial displacement was within requirements.
<b>Dielectric Withstanding Voltage Altitude and Sea Level</b>	Mated connectors shall be subjected to 1000 volts rms at altitudes up to 110,000 feet and 1500 volts rms at sea level. Unmated connectors shall be subjected to 250 volts rms at altitudes up to 110,000 feet and 1500 volts rms at sea level. There shall be no evidence of breakdown or flashover.	There was no evidence of breakdown or flashover.
<b>Thermal Shock</b>	Mated connectors shall be exposed for 30 minutes to each temperature from -55°C to +200°C. Transfers between temperatures begin at -55°C and are made within two minutes. There shall be no damage detrimental to connector operation.	After five cycles, there was no evidence of cracking, fracture, or other damage detrimental to connector operation.
<b>Vibration</b>	Completely wired and mated connectors shall be mounted on an appropriate fixture on a vibration table. All contacts shall be wired in series. Current level shall be 100 milliamperes. There shall be no continuity interruption longer than 1 microsecond, contact chatter, or physical damage to the connectors.	There was no intermittency or evidence of physical damage to the connector.
<b>Durability</b>	Connectors shall be mated and unmated 500 times (Bayonet) or 200 times (Threaded), without producing physical or electrical defects detrimental to operation. They shall meet requirements of Dielectric Withstanding Voltage test.	There was no damaged detrimental to connector operation. Dielectric Withstanding Voltage test was passed.
<b>Corrosion</b>	Unmated connectors shall be exposed to a salt spray for 48 hours without exposing base metal.	There was no exposure of base metal. Connector mated satisfactorily three times.
<b>Ozone Exposure</b>	Unmated connectors shall be exposed at room temperature to air containing a minimum ozone concentration of 0.01 to 0.05 percent by volume. There shall be no evidence of deterioration.	No damaged occurred to connector dielectric.
<b>Insulation Resistance</b>	As measured between five pairs of adjacent contacts and three contacts closest to the shell and the shell itself, insulation resistance shall be 5000 megohms minimum, measured after Maintenance Aging.	Insulation resistance was in excess of 5000 megohms.
<b>Altitude Immersion</b>	Mated connectors shall support 1500 volts rms submerged in salt water for 30 minutes while pressure is alternated between sea level and 75,000 feet altitude equivalents.	There was no flashover or breakdown. Insulation resistance requirement was checked and met or exceeded.
<b>Temperature Life</b>	Connectors shall carry specified current for 1000 hours with internal temperatures not to exceed 238°C.	Connectors carried specified current for 1000 hours.
<b>Moisture Resistance</b>	Per MIL-STD-202, method 106. Connectors shall maintain insulation resistance of 1000 megohms minimum.	Insulation resistance was greater than 1000 megohms.
<b>Fluid Immersion</b>	Unmated connectors shall be immersed in fluid (MIL-PRF-5606 hydraulic fluid or MIL-PRF-23699 lubrication oil) for 20 hours. They shall couple properly and support 1500 volts ac rms.	Immersed connectors mated and unmated properly and withstood 1500 volts ac (rms) applied with no flashover or leakage breakdown.

# R0716 Series

## Bayonet Plug

R0716XXXXXXX

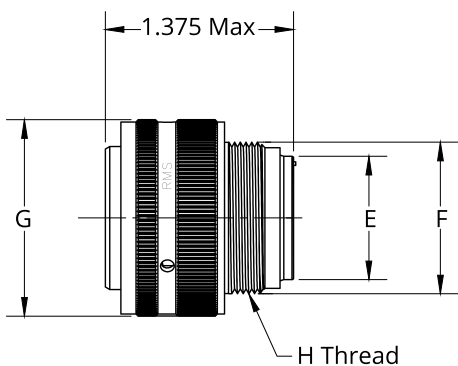
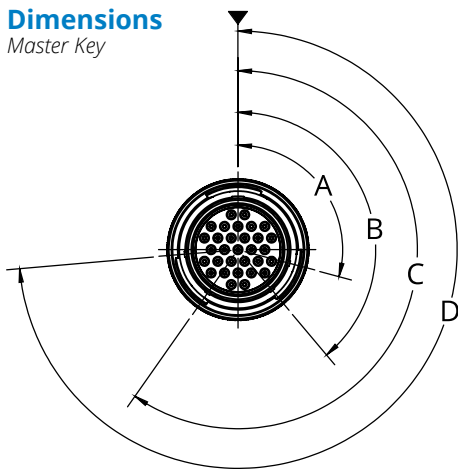
MS24266RXXBXXXX



Not Shown Actual Size

### Dimensions

Master Key



### Shell Polarity

Polarity	For Connectors Size 8 and 10				For Connectors Size 12, 14, 16, 18, 20, 22, and 24			
	A	B	C	D	A	B	C	D
Normal	105°	140°	215°	265°	105°	140°	215°	265°
6	102°	132°	248°	320°	18°	149°	192°	259°
7	80°	118°	230°	312°	92°	152°	222°	342°
8	35°	140°	205°	275°	84°	152°	204°	334°
9	64°	155°	234°	304°	24°	135°	199°	240°
10*	25°	115°	220°	270°	98°	152°	268°	338°

\* Not available in size 8 connector

Shell Size	E Dia. Max	F Dia. Max	G Dia. Max	H Thread
8	.328	.437	.776	7/16-28 UNEF-2A
10	.420	.562	.906	9/16-24 UNEF-2A
12	.580	.750	1.078	3/4-20 UNEF-2A
14	.664	.812	1.141	13/16-20 UNEF-2A
16	.769	.938	1.266	15/16-20 UNEF-2A
18	.902	1.062	1.375	1 1/16-18 UNEF-2A
20	1.033	1.182	1.510	1 3/16-18 UNEF-2A
22	1.152	1.312	1.625	1 5/16-18 UNEF-2A
24	1.282	1.432	1.760	1 7/16-18 UNEF-2A



The R0716 Series connectors are qualified to, and meet, the requirements of MIL-DTL-26500 Class R, Type B; MS24266 Type B; and Boeing Standard BACC45FT.

The connector is bayonet coupled with rear insertion, front release contacts. The connector can be ordered either with or without gold plated contacts by using the order code associated with the rms number.

When ordering by the MS number, the connector is supplied with gold plated contacts. If the connector is to be ordered by the MS number, but the contacts are not required, use the phrase, "less contacts."

For contact, seal plug and tooling information, see page 4.

## How to Order

### rms Catalog Number

**R0716 10 R 05 P N - 0 00**

- 00 - Less Cable Clamp
- 01 - With Right Angle Cable Clamp
- 02 - With Straight Cable Clamp
- 03 - With Right Angle Single Leg Cable Clamp
- 04 - With Straight Single Leg Cable Clamp
- 05 - With Straight Composite Cable Clamp

- 0 - Less Contacts
- 2 - With Gold Plated Boeing Contacts
- 3 - With Gold Plated MS Contacts

**Shell Keyway Position** N, 6, 7, 8, 9, or 10

**Contact Style**

- P - Pin Contact
- S - Socket Contact

**Insert Arrangement** See Page 5

**Class B** Meets requirements of Boeing standard BACC45FT. Anodized aluminum shell, environment resisting.

Arrangements with size 20 contact cavities will have reduced diameter wire seals, improved collet design, and hard front face for socket inserts.

**Class R** Meets requirements of MIL-DTL-26500. Anodized aluminum shell, environment resisting.

**Shell Size** 8, 10, 12, 14, 16, 18, 20, 22, 24

**Series Designation** Connector, Plug, Straight, Electric, Bayonet Coupling

### Boeing Part Number (Reference)

**BACC45FT 10 - 5 P 6 H**

- Blank - With Contacts and Seal Plugs
- H - Without Contacts and Seal Plugs

**Shell Keyway Position** N (Blank), 6, 7, 8, 9, or 10

**Contact Style**

- P - Pin Contact
- S - Socket Contact

**Insert Arrangement** See Page 5

"-" - Without Cable Clamp

A - With BACC10GH Straight Single Leg Cable Clamp

B - With MS27559 Right Angle Cable Clamp

C - With MS27291 Straight Cable Clamp

D - With BACC10JC Right Angle Single Leg Cable Clamp

E - With BACC10JS Straight Single Leg Composite Cable Clamp

**Shell Size** 8, 10, 12, 14, 16, 18, 20, 22, 24

**Series Designation** Connector, Electrical, Plug, Straight, Bayonet Coupling

### Military Standard Part Number

**MS24266 R 10 B 5 P N**

**Shell Keyway Position** N, 6, 7, 8, 9, or Y

**Contact Style**

- P - Pin Contact
- S - Socket Contact

**Insert Arrangement** See Page 5

**Bayonet Coupling**

**Shell Size** 8, 10, 12, 14, 16, 18, 20, 22, 24

**Class R Environmental**

**Series Designation** Connector, Plug, Straight, Electric

Consult Factory for  
Other Options

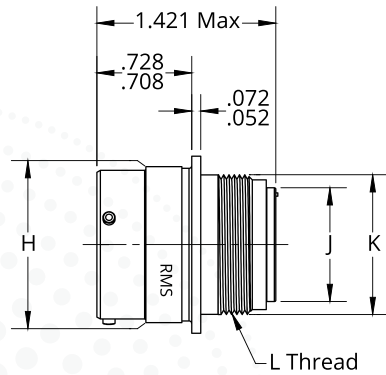
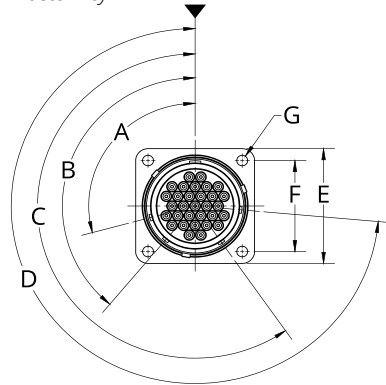
# R0717 Series

## Square Flange Bayonet Receptacle

R0717XXXXXX  
MS24264RXXBXXXX

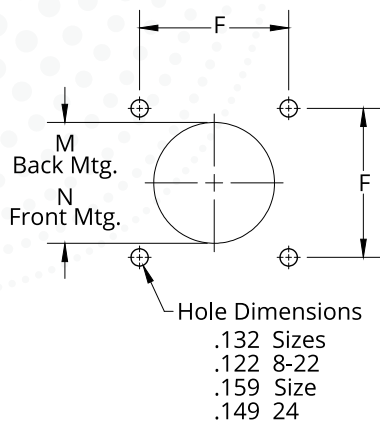
### Dimensions

Master Key



### Panel Mounting

Hole Cut-out



Not Shown Actual Size

### Shell Polarity

Polarity	For Connectors Size 8 and 10				For Connectors Size 12, 14, 16, 18, 20, 22, and 24			
	A	B	C	D	A	B	C	D
Normal	105°	140°	215°	265°	105°	140°	215°	265°
6	102°	132°	248°	320°	18°	149°	192°	259°
7	80°	118°	230°	312°	92°	152°	222°	342°
8	35°	140°	205°	275°	84°	152°	204°	334°
9	64°	155°	234°	304°	24°	135°	199°	240°
10*	25°	115°	220°	270°	98°	152°	268°	338°

\* Not Available in Size 8 Connector

Shell Size	E ±.005	F ±.005	G Dia. +.000 -.009	H Dia. Max.	J Dia. Max.	K Dia. Max.	L Thread	M Dia. Min.	N Dia. Min.
8	.812	.594	.125	.561	.328	.437	7/16-28 UNEF-2A	.620	.447
10	.937	.719	.125	.696	.420	.562	9/16-24 UNEF-2A	.748	.572
12	1.031	.812	.125	.875	.580	.750	3/4-20 UNEF-2A	.913	.760
14	1.125	.906	.125	.935	.664	.812	13/16-20 UNEF-2A	.980	.822
16	1.250	.969	.125	1.062	.769	.938	15/16-20 UNEF-2A	1.107	.948
18	1.343	1.062	.125	1.187	.902	1.062	1 1/16-18 UNEF-2A	1.209	1.072
20	1.437	1.156	.125	1.312	1.033	1.182	1 3/16-18 UNEF-2A	1.337	1.192
22	1.562	1.250	.125	1.437	1.152	1.312	1 5/16-18 UNEF-2A	1.452	1.322
24	1.703	1.375	.154	1.562	1.282	1.432	1 7/16-18 UNEF-2A	1.577	1.442

The R0717 Series connectors are qualified to, and meet, the requirements of MIL-DTL-26500 Class R, Type B; MS24264 Type B; and Boeing Standard BACC45FN.

The connector is bayonet coupled with rear insertion, front release contacts. The connector can be ordered either with or without gold plated contacts by using the order code associated with the rms number.

When ordering by the MS number, the connector is supplied with gold plated contacts. If the connector is to be ordered by the MS number, but the contacts are not required, use the phrase, "less contacts".

For contact, seal plug and tooling information, see page 4.

## How to Order

### rms Catalog Number

**R0717 10 R 05 P N - 0 00**

- 00 - Less Cable Clamp
- 01 - With Right Angle Cable Clamp
- 02 - With Straight Cable Clamp
- 03 - With Right Angle Single Leg Cable Clamp
- 04 - With Straight Single Leg Cable Clamp
- 05 - With Straight Composite Cable Clamp

- 0 - Less Contacts
- 2 - With Gold Plated Boeing Contacts
- 3 - With Gold Plated MS Contacts

**Shell Keyway Position** N, 6, 7, 8, 9, or 10

**Contact Style**

- P - Pin Contact
- S - Socket Contact

**Insert Arrangement** See Page 5

**Class B** Meets requirements of Boeing standard BACC45FN. Anodized aluminum shell, environment resisting.

Arrangements with size 20 contact cavities will have reduced diameter wire seals, improved collet design, and hard front face for socket inserts.

**Class R** Meets requirements of MIL-DTL-26500. Anodized aluminum shell, environment resisting.

**Shell Size** 8, 10, 12, 14, 16, 18, 20, 22, 24

**Series Designation** Connector, Receptacle, Electric, Bayonet Coupling, Square Flange Mount

### Boeing Part Number (Reference)

**BACC45FN 10 - 5 P 6 H**

- Blank - With Contacts and Seal Plugs
- H - Without Contacts and Seal Plugs

**Shell Keyway Position** N (Blank), 6, 7, 8, 9, or 10

**Contact Style**

- P - Pin Contact
- S - Socket Contact

**Insert Arrangement** See Page 5

- "-" - Without Cable Clamp
- A - With BACC10GH Straight Single Leg Cable Clamp
- B - With MS27559 Right Angle Cable Clamp
- C - With MS27291 Straight Cable Clamp
- D - With BACC10JC Right Angle Single Leg Cable Clamp
- E - With BACC10JS Straight Single Leg Composite Cable Clamp

**Shell Size** 8, 10, 12, 14, 16, 18, 20, 22, 24

**Series Designation** Connector, Electrical, Receptacle, Flange Mount, Bayonet Coupling

### Military Standard Part Number

**MS24264 R 10 B 5 P N**

**Shell Keyway Position** N, 6, 7, 8, 9, or Y

**Contact Style**

- P - Pin Contact
- S - Socket Contact

**Insert Arrangement** See Page 5

**Bayonet Coupling**

**Shell Size** 8, 10, 12, 14, 16, 18, 20, 22, 24

**Class R** Environmental

**Series Designation** Connector, Receptacle, Electric

Consult Factory for Other Options

# R0718 Series

## Threaded Plug

R0718XXXXXX

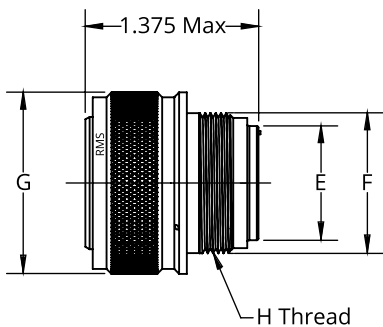
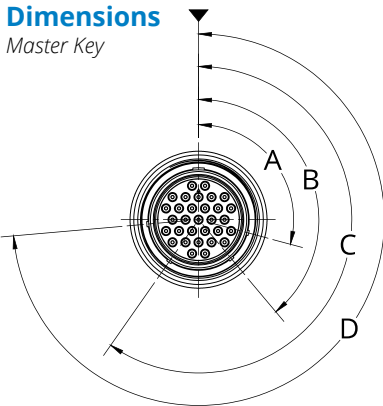
MS24266RXTXXXX



Not Shown Actual Size

### Dimensions

Master Key



### Shell Polarity

Polarity	For Connectors Size 8 and 10				For Connectors Size 12, 14, 16, 18, 20, 22, and 24			
	A	B	C	D	A	B	C	D
Normal	105°	140°	215°	265°	105°	140°	215°	265°
6	102°	132°	248°	320°	18°	149°	192°	259°
7	80°	118°	230°	312°	92°	152°	222°	342°
8	35°	140°	205°	275°	84°	152°	204°	334°
9	64°	155°	234°	304°	24°	135°	199°	240°
10*	25°	115°	220°	270°	98°	152°	268°	338°

\* Not Available in Size 8 Connector

Shell Size	E Dia. Max.	F Dia. Max.	G Dia. Max.	H Thread
8	.328	.437	.776	7/16-28 UNEF-2A
10	.420	.562	.906	9/16-24 UNEF-2A
12	.580	.750	1.078	3/4-20 UNEF-2A
14	.664	.812	1.141	13/16-20 UNEF-2A
16	.769	.938	1.266	15/16-20 UNEF-2A
18	.902	1.062	1.375	1 1/16-18 UNEF-2A
20	1.033	1.182	1.510	1 3/16-18 UNEF-2A
22	1.152	1.312	1.625	1 5/16-18 UNEF-2A
24	1.282	1.432	1.760	1 7/16-18 UNEF-2A

The R0718 Series connectors are qualified to, and meet the requirements of MIL-DTL-26500 Class R, Type T; MS24266 Type T; and Boeing Standard BACC45FS.

The connector is thread coupled with rear insertion, front release contacts. The connector may be ordered either with or without gold plated contacts by using the code associated with the rms number.

When ordering by the MS number, the connector is supplied with gold plated contacts. If the connector is to be ordered by the MS number, but the contacts are not required, use the phrase, "less contacts".

For contact, seal plug, and tooling information see page 4.

## How to Order

### rms Catalog Number

**R0718 10 R 05 P N - 0 00**

- 00 - Less Cable Clamp
- 01 - With Right Angle Cable Clamp
- 02 - With Straight Cable Clamp
- 03 - With Right Angle Single Leg Cable Clamp
- 04 - With Straight Single Leg Cable Clamp
- 05 - With Straight Composite Cable Clamp

- 0 - Less Contacts
- 2 - With Gold Plated Boeing Contacts
- 3 - With Gold Plated MS Contacts

**Shell Keyway Position** N, 6, 7, 8, 9, or 10

**Contact Style**

- P - Pin Contact
- S - Socket Contact

**Insert Arrangement** See Page 5

**Class B** Meets requirements of Boeing standard BACC45FS. Anodized aluminum shell, environment resisting.

Arrangements with size 20 contact cavities will have reduced diameter wire seals, improved collet design, and hard front face for socket inserts.

**Class R** Meets requirements of MIL-DTL-26500. Anodized aluminum shell, environment resisting.

**Shell Size** 8, 10, 12, 14, 16, 18, 20, 22, 24

**Series Designation** Connector, Plug, Straight, Electric, Threaded Coupling

### Boeing Part Number (Reference)

**BACC45FS 10 - 5 P 6 H**

- Blank - With Contacts and Seal Plugs
- H - Without Contacts and Seal Plugs

**Shell Keyway Position** N (Blank), 6, 7, 8, 9, or 10

**Contact Style**

- P - Pin Contact
- S - Socket Contact

**Insert Arrangement** See Page 5

"-" - Without Cable Clamp

- A - With BACC10GH Straight Single Leg Cable Clamp
- B - With MS27559 Right Angle Cable Clamp
- C - With MS27291 Straight Cable Clamp
- D - With BACC10JC Right Angle Single Leg Cable Clamp
- E - With BACC10JS Straight Single Leg Composite Cable Clamp

**Shell Size** 10, 12, 14, 16, 18, 22

**Series Designation** Connector, Electrical, Plug, Straight, Threaded Coupling

### Military Standard Part Number

**MS24266 R 10 T 5 P N**

**Shell Keyway Position** N, 6, 7, 8, 9, or Y

**Contact Style**

- P - Pin Contact
- S - Socket Contact

**Insert Arrangement** See Page 5

**Threaded Coupling**

**Shell Size** 8, 10, 12, 14, 16, 18, 20, 22, 24

**Class R** Environmental

**Series Designation** Connector, Plug, Straight, Electric

Consult Factory for Other Options

# R0719 Series

## Threaded Receptacle

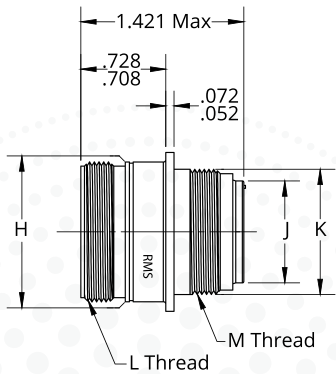
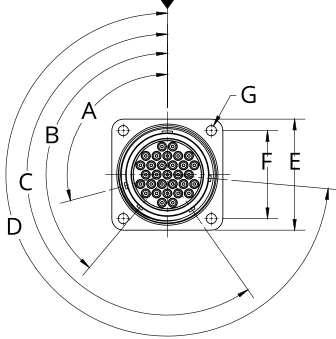
R0719XXXXXX  
MS24264RXTXXXX



Not Shown Actual Size

### Dimensions

Master Key



### Shell Polarity

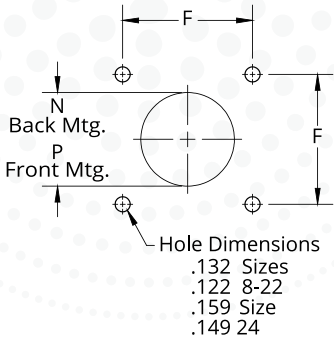
Polarity	For Connectors Size 8 and 10				For Connectors Size 12, 14, 16, 18, 20, 22, and 24			
	A	B	C	D	A	B	C	D
Normal	105°	140°	215°	265°	105°	140°	215°	265°
6	102°	132°	248°	320°	18°	149°	192°	259°
7	80°	118°	230°	312°	92°	152°	222°	342°
8	35°	140°	205°	275°	84°	152°	204°	334°
9	64°	155°	234°	304°	24°	135°	199°	240°
10*	25°	115°	220°	270°	98°	152°	268°	338°

\* Not Available in Size 8 Connector

Shell Size	E ±.005	F ±.005	G Dia. +.000 -.009	H Dia. Max.	J Dia. Max.	K Dia. Max.	L Thread	M Thread	N Dia. Min.	P Dia. Min.
8	.812	.594	.125	.561	.328	.437	9/16-24 UNEF-2A	7/16-28 UNEF-2A	.620	.477
10	.937	.719	.125	.696	.420	.562	11/16-24 UNEF-2A	9/16-24 UNEF-2A	.748	.572
12	1.031	.812	.125	.875	.580	.750	7/8-20 UNEF-2A	3/4-20 UNEF-2A	.913	.760
14	1.125	.906	.125	.935	.664	.812	15/16-20 UNEF-2A	13/16-20 UNEF-2A	.980	.822
16	1.250	.969	.125	1.062	.769	.938	1 1/16-18 UNEF-2A	15/16-20 UNEF-2A	1.107	.948
18	1.343	1.062	.125	1.187	.902	1.062	1 3/16-18 UNEF-2A	1 1/16-18 UNEF-2A	1.209	1.072
20	1.437	1.156	.125	1.312	1.033	1.182	1 5/16-18 UNEF-2A	1 3/16-18 UNEF-2A	1.337	1.192
22	1.562	1.250	.125	1.437	1.152	1.312	1 7/16-18 UNEF-2A	1 5/16-18 UNEF-2A	1.452	1.322
24	1.703	1.375	.154	1.562	1.282	1.432	1 9/16-18 UNEF-2A	1 7/16-18 UNEF-2A	1.577	1.442

### Panel Mounting

Hole Cut-out



The R0719 Series connectors are qualified to, and meet, the requirements of MIL-DTL-26500 Class R, Type T; MS24264 Type T; and Boeing standard BACC45FM.

The connector is thread coupled with rear insertion, front release contacts. The connector may be ordered either with or without gold plated contacts by using the order code associated with the rms number.

When ordering by the MS number, the connector is supplied with gold plated contacts. If the connector is to be ordered by the MS number, but the contacts are not required, use the phrase, "less contacts".

For contact, seal plug, and tooling information see page 4.

## How to Order

### rms Catalog Number

**R0719 10 R 05 P N - 0 00**

- 00 - Less Cable Clamp
- 01 - With Right Angle Cable Clamp
- 02 - With Straight Cable Clamp
- 03 - With Right Angle Single Leg Cable Clamp
- 04 - With Straight Single Leg Cable Clamp
- 05 - With Straight Composite Cable Clamp

- 0 - Less Contacts
- 2 - With Gold Plated Boeing Contacts
- 3 - With Gold Plated MS Contacts

**Shell Keyway Position** N, 6, 7, 8, 9, or 10

**Contact Style**

- P - Pin Contact
- S - Socket Contact

**Insert Arrangement** See Page 5

**Class B** Meets requirements of Boeing standard BACC45FM. Anodized aluminum shell, environment resisting.

Arrangements with size 20 contact cavities will have reduced diameter wire seals, improved collet design, and hard front face for socket inserts.

**Class R** Meets requirements of MIL-DTL-26500. Anodized aluminum shell, environment resisting.

**Shell Size** 8, 10, 12, 14, 16, 18, 20, 22, 24

**Series Designation** Connector, Receptacle, Threaded Coupling, Square Flange Mount

### Boeing Part Number (Reference)

**BACC45FM 10 - 5 P 6 H**

- Blank - With Contacts and Seal Plugs
- H - Without Contacts and Seal Plugs

**Shell Keyway Position** N (Blank), 6, 7, 8, 9, or 10

**Contact Style**

- P - Pin Contact
- S - Socket Contact

**Insert Arrangement** See Page 5

- "-" - Without Cable Clamp
- A - With BACC10GH Straight Single Leg Cable Clamp
- B - With MS27559 Right Angle Cable Clamp
- C - With MS27291 Straight Cable Clamp
- D - With BACC10JC Right Angle Single Leg Cable Clamp
- E - With BACC10JS Straight Single Leg Composite Cable Clamp

**Shell Size** 10, 12, 14, 16, 18, 22

**Series Designation** Connector, Electrical, Receptacle, Flange Mount, Threaded Coupling

### Military Standard Part Number

**MS24264 R 10 T 5 P N**

**Shell Keyway Position** N, 6, 7, 8, 9, or Y

**Contact Style**

- P - Pin Contact
- S - Socket Contact

**Insert Arrangement** See Page 5

**Threaded Coupling**

**Shell Size** 8, 10, 12, 14, 16, 18, 20, 22, 24

**Class R** Environmental

**Series Designation** Connector, Receptacle, Straight, Electric

Consult Factory for  
Other Options

# R0701 Series

## Square Flange Bayonet Receptacle

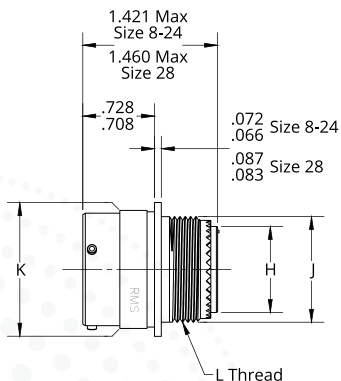
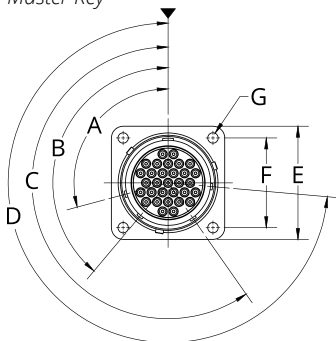
R0701XXXXXX



Not Shown Actual Size

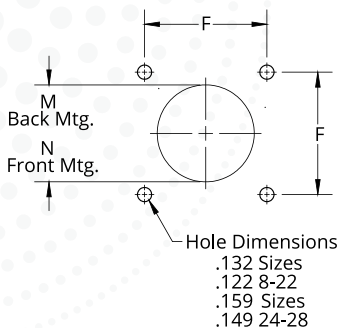
### Dimensions

Master Key



### Panel Mounting

Hole Cut-out



### Shell Polarity

Polarity	For Connectors Size 8 and 10				For Connectors Size 12, 14, 16, 18, 20, 22, 24 and 28			
	A	B	C	D	A	B	C	D
Normal	105°	140°	215°	265°	105°	140°	215°	265°
6	102°	132°	248°	320°	18°	149°	192°	259°
7	80°	118°	230°	312°	92°	152°	222°	342°
8	35°	140°	205°	275°	84°	152°	204°	334°
9	64°	155°	234°	304°	24°	135°	199°	240°
10*	25°	115°	220°	270°	98°	152°	268°	338°

\* Not available in size 8 connector

Shell Size	E ±.005	F ±.005	G Dia. +.000 - .009	H Dia. Max.	J Dia. Max.	K Dia. Max.	L Thread	M Dia. Min.	N Dia. Min.
8	.812	.594	.125	.328	.500	.561	1/2-20 UNF-2A	.620	.510
10	.937	.719	.125	.420	.625	.696	5/8-24 UNEF-2A	.748	.635
12	1.031	.812	.125	.580	.750	.875	3/4-20 UNEF-2A	.913	.760
14	1.125	.906	.125	.664	.875	.935	7/8-20 UNEF-2A	.980	.885
16	1.250	.969	.125	.769	1.000	1.062	1-20 UNEF-2A	1.107	1.010
18	1.343	1.062	.125	.902	1.062	1.187	1 1/16-18 UNEF-2A	1.209	1.072
20	1.437	1.156	.125	1.033	1.187	1.312	1 3/16-18 UNEF-2A	1.337	1.192
22	1.562	1.250	.125	1.152	1.312	1.437	1 5/16-18 UNEF-2A	1.452	1.322
24	1.703	1.375	.154	1.282	1.437	1.562	1 7/16-18 UNEF-2A	1.577	1.442
28	2.000	1.562	.154	1.500	1.750	1.812	1 3/4-18 UNS-2A	1.827	1.760



The R0701 Series connectors meet the performance requirements of MIL-DTL-26500 Class R, Type B; MS24264, Type B; and Boeing Standard BACC63CC.

The connector is bayonet coupled with rear insertion, front release contacts. The connector can be ordered either with or without gold plated contacts by using the order code associated with the rms number.

For contact, seal plug, and tooling information, see page 4.

## How to Order

### rms Catalog Number

**R0701 10 B 05 P N - 0 00**

- 00 - Less Cable Clamp
- 01 - With BACC10HG Right Angle Cable Clamp
- 02 - With BACC10HF Straight Cable Clamp
- 03 - With Straight Shielding Clamp
- 04 - With Straight Shielding Clamp
- 05 - With 45 Degree Cable Clamp
- 06 - With BACC10KB or BACC10KE 90 Degree Cable Clamp
- 07 - With BACC10KA or BACC10KD Straight Cable Clamp
- 08 - With BACC10KC or BACC10KF 45 Degree Cable Clamp

- 0 - Less Contacts
- 2 - With Gold Plated Boeing Contacts

**Shell Keyway Position** N, 6, 7, 8, 9, or 10

#### Contact Style

- P - Pin Contact
- S - Socket Contact

**Insert Arrangement** See Page 5

**Class A** Hard anodized aluminum shell, color black with fluorosilicone insert and grommet material. Consult factory for availability.

**Class B** Cadmium with clear chromate conversion over electroless nickel plated aluminum shell. Connectors have fluorosilicone insert and grommet material. Socket style connectors have a hard face socket insert. Qualified to BACC63CC. Class code "B" only available in those insert arrangements that have size 20 contacts.

**Class G** Cadmium with clear chromate conversion over electroless nickel plated aluminum shell with fluorosilicone insert and grommet material. Qualified to BACC63CC. Class code "G" only available for those insert arrangements that have no size 20 contacts.

**Class N** Electroless nickel plated aluminum shell. Connectors have fluorosilicone insert and grommet material. Consult factory for availability.

**Class S** Passivated stainless steel shell with fluorosilicone insert and grommet material. Consult factory for availability.

**Class W** Cadmium, with olive drab chromate conversion over electroless nickel plated aluminum shell with fluorosilicone insert and grommet material. Consult factory for availability.

**Shell Size** 8, 10, 12, 14, 16, 18, 20, 22, 24, 28

**Series Designation** Connector, Receptacle, Bayonet Coupling, Square Flange Mount

### Boeing Part Number (Reference)

**BACC63CC 10 - 5 P N H**

- Blank - With Contacts and Seal Plugs
- H - Without Contacts and Seal Plugs

**Shell Keyway Position** N, 6, 7, 8, 9, or 10

#### Contact Style

- P - Pin Contact
- S - Socket Contact

**Insert Arrangement** See Page 5

**Shell Size** 8, 10, 12, 14, 16, 18, 20, 22, 24, 28

**Series Designation** Connector, Electrical, Receptacle, Straight, Bayonet Coupling, Vibration Resistant

Consult Factory for  
Other Options

# R0700 Series

## Bayonet Plug

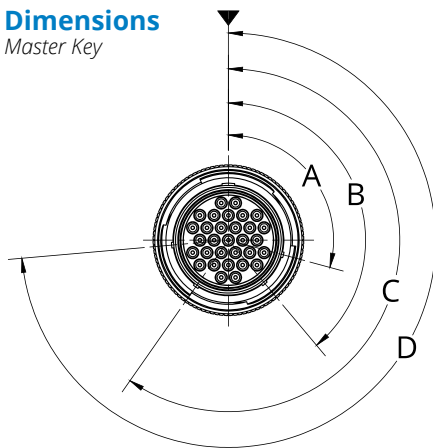
R0700XXXXXX



Not Shown Actual Size

### Dimensions

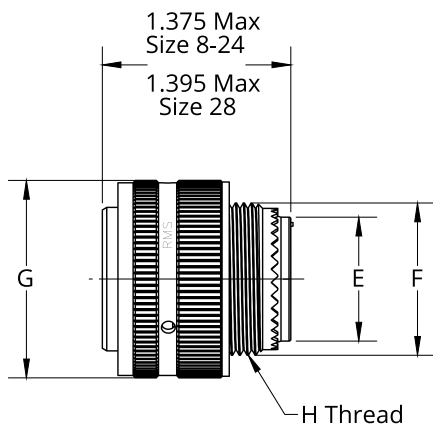
Master Key



### Shell Polarity

Polarity	For Connectors Size 8 and 10				For Connectors Sizes 12, 14, 16, 18, 20, 22, 24 and 28			
	A	B	C	D	A	B	C	D
Normal	105°	140°	215°	265°	105°	140°	215°	265°
6	102°	132°	248°	320°	18°	149°	192°	259°
7	80°	118°	230°	312°	92°	152°	222°	342°
8	35°	140°	205°	275°	84°	152°	204°	334°
9	64°	155°	234°	304°	24°	135°	199°	240°
10*	25°	115°	220°	270°	98°	152°	268°	338°

\* Not Available in Size 8 Connector



Shell Size	E Dia. Max	F Dia. Max	G Dia. Max	H Thread
8	.328	.500	.814	1/2-20 UNF-2A
10	.420	.625	.972	5/8-24 UNEF-2A
12	.580	.750	1.083	3/4-20 UNEF-2A
14	.664	.875	1.194	7/8-20 UNEF-2A
16	.769	1.000	1.315	1-20 UNEF-2A
18	.902	1.062	1.380	1 1/16-18 UNEF-2A
20	1.033	1.187	1.510	1 3/16-18 UNEF-2A
22	1.152	1.312	1.630	1 5/16-18 UNEF-2A
24	1.282	1.437	1.760	1 7/16-18 UNEF-2A
28	1.500	1.750	2.165	1 3/4-18 UNS-2A

The R0700 Series connectors meet the performance requirements of MIL-DTL-26500 Class R, Type B; MS24266 Type B; and Boeing standard BACC63CB.

The connector is bayonet coupled with rear insertion, front release contacts. The connector can be ordered either with or without gold plated contacts by using the order code associated with the rms number.

For contact, seal plug, and tooling information, see page 4.

## How to Order

### rms Catalog Number

**R0700 10 B 05 P N - 0 00**

- 00 - Less Cable Clamp
- 01 - With BACC10HG Right Angle Cable Clamp
- 02 - With BACC10HF Straight Cable Clamp
- 03 - With Straight Shielding Clamp
- 04 - With Straight Shielding Clamp
- 05 - With 45 Degree Cable Clamp
- 06 - With BACC10KB or BACC10KE 90 Degree Cable Clamp
- 07 - With BACC10KA or BACC10KD Straight Cable Clamp
- 08 - With BACC10KC or BACC10KF 45 Degree Cable Clamp

- 0 - Less Contacts
- 2 - With Gold Plated Boeing Contacts

**Shell Keyway Position** N, 6, 7, 8, 9, or 10

#### Contact Style

- P - Pin Contact
- S - Socket Contact

**Insert Arrangement** See Page 5

**Class A** Hard Anodized Aluminum shells and coupling ring, color black with fluorosilicone insert and grommet material. Consult factory for availability.

**Class B** Cadmium with clear chromate conversion over electroless nickel plated aluminum shells. The shell has a ground spring. The coupling ring shall be hard anodized, color black. Connectors have fluorosilicone insert and grommet material. Socket style connectors have a hard face socket insert. Qualified to BACC63CB. Class code "B" only available in those insert arrangements that have size 20 contacts.

**Class G** Cadmium with clear chromate conversion over electroless nickel plated aluminum shells with fluorosilicone insert and grommet material. The shell has a ground spring. The coupling ring shall be Hard Anodized, color black. Qualified to BACC63CB. Class code "G" only available for those insert arrangements that have no size 20 contacts.

**Class N** Electroless nickel plated aluminum shells. The shell has a ground spring. The coupling ring shall be hard anodized, color black. Connectors have fluorosilicone insert and grommet material. Consult factory for availability.

**Class S** Passivated Stainless steel shells and coupling ring with fluorosilicone insert and grommet material. The shell has a ground spring. Consult factory for availability.

**Class W** Cadmium, with olive drab chromate conversion over electroless nickel plated aluminum shell with fluorosilicone insert and grommet material. The shell has a ground spring. The coupling ring shall be hard anodized, color black. Consult factory for availability.

**Shell Size** 8, 10, 12, 14, 16, 18, 20, 22, 24, 28

**Series Designation** Connector, Plug, Bayonet Coupling, Vibration Resistant

### Boeing Part Number (Reference)

**BACC63CB 10 - 5 P N H**

- Blank - With Contacts and Seal Plugs
- H - Without Contacts and Seal Plugs

**Shell Keyway Position** N, 6, 7, 8, 9, or 10

#### Contact Style

- P - Pin Contact
- S - Socket Contact

**Insert Arrangement** See Page 5

- "-" - Cadmium Plated Aluminum
- A - Anodized Aluminum
- B - Passivated Stainless Steel

**Shell Size** 8, 10, 12, 14, 16, 18, 20, 22, 24, 28

**Series Designation** Connector, Electrical, Plug, Straight, Bayonet Coupling, Vibration Resistant

Consult Factory for  
Other Options

# R0700, R0712/R0701 Series

## Test Data

(Vibration)



**R0700**



**R0712**

*Not Shown Actual Size*



**R0701**

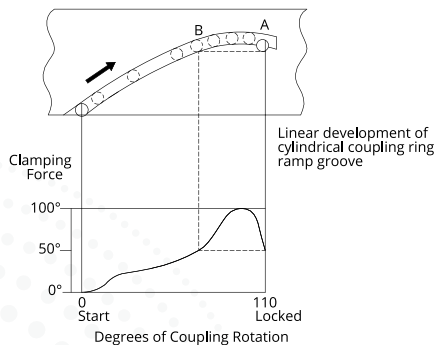


Fig. 1

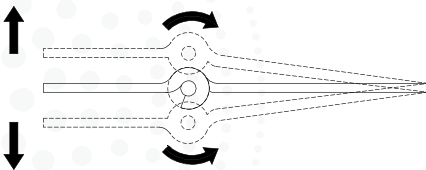


Fig. 2

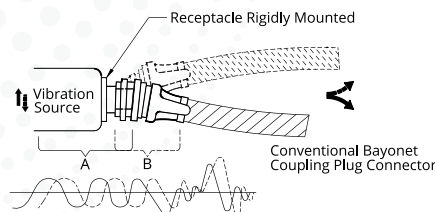


Fig. 3

Until the R0700, R0712 and R0701 Series, any severe vibration caused early failure in connectors, especially bayonet coupling types. The R0700 and R0712 Series, however, put an end to wear and controlled the relative motion between plug and receptacle.

### Engineering Analysis

First, a detailed analysis on failure-prone connectors revealed that a “vibration envelope” induced forces on the connector. It was this “envelope” that resulted in wear and produced the relative motion between the plug and its mating receptacle.

Further study disclosed that this relative motion stemmed from the unloading effect on the clamping force when the bayonet dropped into its detent in the coupling ring ramp (See Figure 1).

Next, an examination of the vibration that caused connector failures indicated that the transmittal path was through the mounted receptacle into the mated plug (similar to the pivoting of a free half of hinge, as in Figure 2). When the vibration occurred, wear began at the hinge pivot,

ultimately wearing completely out. In addition to this hinge pivot wear, extreme mechanical wear was also seen to occur at the pivotal points between the connectors (See Figure 3). Electromechanical reliability rapidly degraded as a result, and useful life was shortened dramatically.

rms engineers then reasoned that a rigid bar should be able to eliminate the hinge and pivotal wear. In addition, clamping the two mated connectors together – so they act as one rigid unit – should result in the elimination of the pivotal wear stemming from vibration. They created the R0700 and R0712 Series.

### The R0700, R0712/R0701 Series

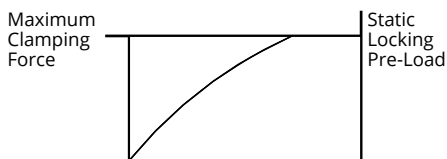
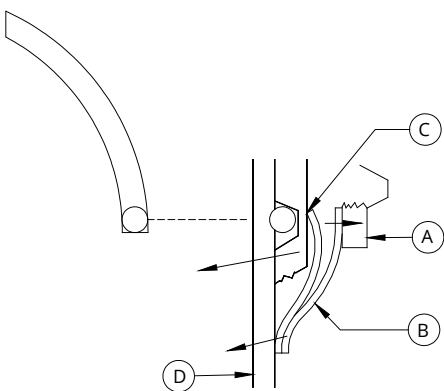
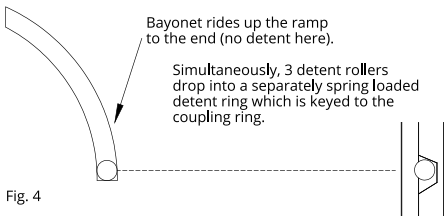
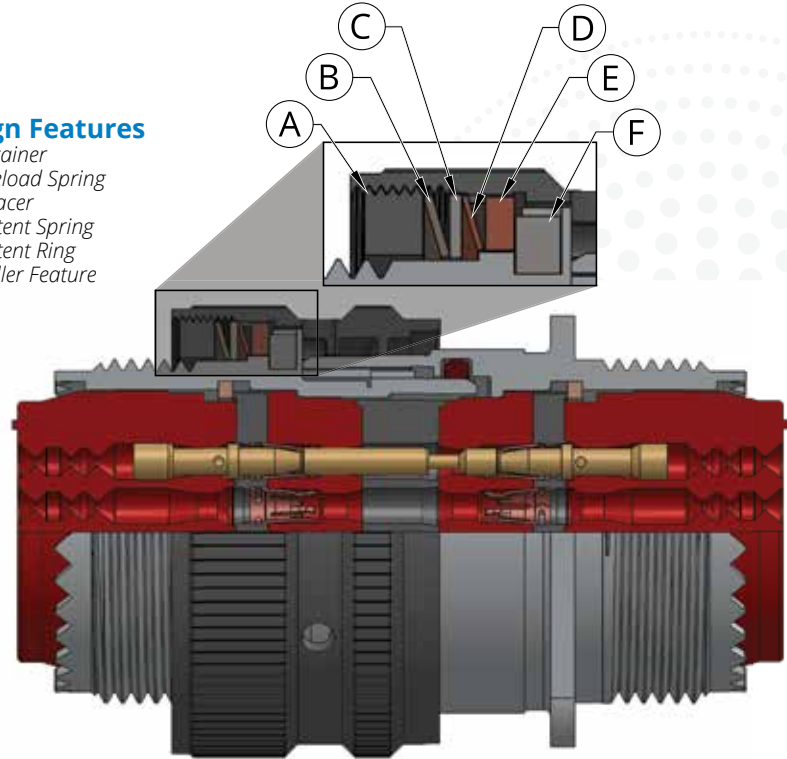
The R0700 and R0712 coupling rings were designed without a detent at the end of the ramp to provide a full static-locking force. As a result, when the bayonet is advanced to the end of the ramp during coupling, the detent rollers simultaneously drop into detents in a separate spring-loaded detent ring, locking the bayonets in place. This ring was also keyed to the coupling ring (See Figure 4).

## Test Data

(Vibration)

### Design Features

- A. Retainer
- B. Preload Spring
- C. Spacer
- D. Detent Spring
- E. Detent Ring
- F. Roller Feature



The locking mechanism itself (Figure 5) is retained by the retainer (A). This ring is adjusted and locked at final assembly to tune out all manufacturing tolerances. This procedure applies a predetermined locking force (pre-load) through a special pre-load member (B), and around the detent locking mechanism (C) directly against the bottoming flange (D) of the connector.

The result: a connector with maximum pre-load locking force that prevents unintentional loosening. In short, a vibration proof connector.

An R0700 and R0712 Series bayonet coupling connector acts like two connectors clamped together, or a threaded connector coupling mechanism (fully threaded) that provided a clamping pre-load and lock wired condition. The new design was the answer sought by users for a bayonet coupling convenience with screw type coupling rigidity. Plus, the R0700 and R0712 extended connector life over traditional models, cutting primary servicing time and costs. Downtime of equipment was drastically reduced.

### rms R0700 and R0712 Series Connectors also:

- Mate with standard R0701, MIL-DTL-26500 and MIL-DTL-83723\* bayonet receptacles presently used on aircraft.
- Use standard contacts, crimping, insertion, and removal tools.

Most important, the rms R0700 and R0712 withstands vibration and shock equivalent to the capability of thread-coupled connectors locked up metal-to-metal.

### Materials

Materials used in the connectors are as specified in MIL-DTL-26500.

### Finishes

Component finish and identification marking is in accordance with applicable requirements of MIL-DTL-26500 and tables.

### Quality Assurance Provision

Mechanical, electrical and environmental performance complies with requirements of MIL-DTL-26500 for Type B, Class R connector plugs except as noted. Final acceptance of connector conforms to the "Quality Conformance Inspection" section of MIL-DTL-26500 except as noted.

*\*For specific intermatability information consult factory.*

## Test Data

(Vibration)

### Mounting

The plug connector was mated to a corresponding receptacle which was mounted by its normal mounting means to a suitable vibration fixture. The mated pair was wired in a manner that allowed a test current of 100ma in each contact. The resulting wire bundle was then clamped to the test table at a distance of  $6 \pm 1$  inches from the rear of the wire sealing grommet. The connector plug was equipped with a cable clamp.

### Testing

The test specimens were subjected to the random vibration motion specified in the figure on this page. Duration of the vibration was eight (8) hours in each of two mutually perpendicular axis, one of which was the major axis of the connector. For the R0700 series, three cycles of vibration were performed. A test current of 100ma was applied throughout the duration of the test. The maximum allowable current interruption (discontinuities) was one microsecond.

### Acceptance

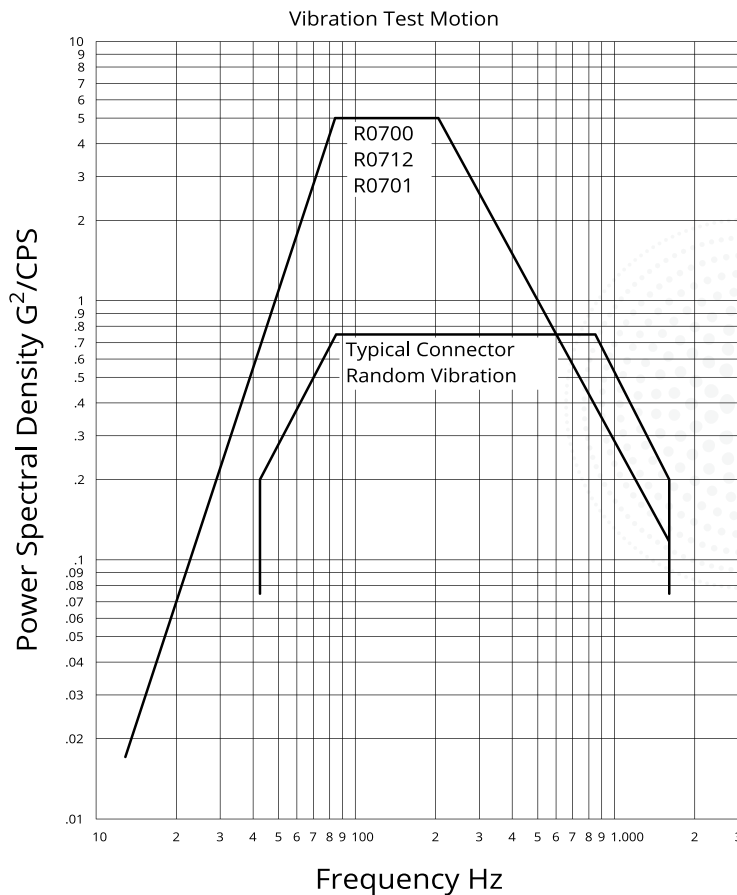
The connectors remained coupled throughout the test and exhibited no discontinuity greater than one microsecond. Visual examination revealed no wear of the normal mating surface as a result of the vibration (coupling rings, detents, keys, keyways, and bottoming contact surfaces).

### About the Power Spectral Density Test Curve and the R0700, R0712/R0701 Series

The curve depicted represents a practical compromise between projected accelerated life tests (based on realistic operational aircraft vibration frequencies) and amplitudes elevated to practical test equipment capability levels. This means that the "time in test" factor can be adjusted to project operational life expectancy on any application where dynamic data has been established.

rms R0700 and R0701 connector test samples subjected to this test curve showed no evidence of wear or deterioration after vibrating for the hours specified (Total: 48 hours). Conventional connectors had worn out and failed at about 12 percent (4 hours) of the required test time.

rms R0712 connector test samples subjected to this test curve showed no evidence of wear or deterioration after vibrating for the number of hours specified (Total: 16 hours). Conventional connectors had worn out and failed at about 25 percent (4 hours) of the required test time.



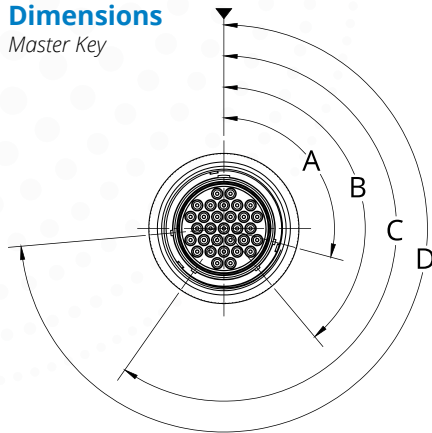
# R0710 Series

## Threaded Plug Self-Locking

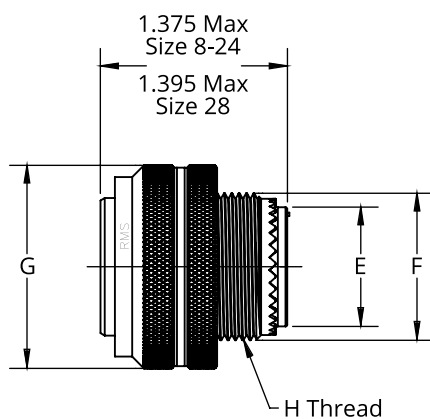
The R0710 Series of connectors meets the performance requirements of MIL-DTL-26500 Type T connectors.

### Dimensions

Master Key



Not Shown Actual Size



### The R0710 Series Connectors

The R0710 Series is a plug with thread-type coupling designed to intermate with the R0711 Series receptacle as well as MIL-DTL-26500 Type T, Class R connectors and other connectors with proprietary part numbers.

In addition to meeting the requirements of MIL-DTL-26500 Type T, Class R connectors, the following special features have been designed into the connectors to improve performance and user convenience:

1. Metal shell materials include aluminum, with a variety of conductive and non-conductive finishes, and stainless steel for extremely harsh environments.
2. Plug connectors are available with or without ground springs.
3. The plug connector includes self-locking coupling features to eliminate the need for safety wires.
4. The grommets are manufactured using a high-grade fluorosilicone elastomer material which increases the resistance to various oils and fuels.
5. The rear end geometry has been modified to accept non-rotatable rear hardware with accessory teeth per MS3155.
6. The connectors have design features that greatly improve the vibration resistance. (See Vibration Test Data.)
7. The plug connector coupling ring is attached to the shell by means of an rms patented fail-safe mechanism.

### Shell Styles

R0710XXXXXXX

### Shell Polarity

Polarity	For Connectors Size 8 and 10				For Connectors Size 12, 14, 16, 18, 20, 22, 24 and 28			
	A	B	C	D	A	B	C	D
Normal	105°	140°	215°	265°	105°	140°	215°	265°
6	102°	132°	248°	320°	18°	149°	192°	259°
7	80°	118°	230°	312°	92°	152°	222°	342°
8	35°	140°	205°	275°	84°	152°	204°	334°
9	64°	155°	234°	304°	24°	135°	199°	240°
10*	25°	115°	220°	270°	98°	152°	268°	338°

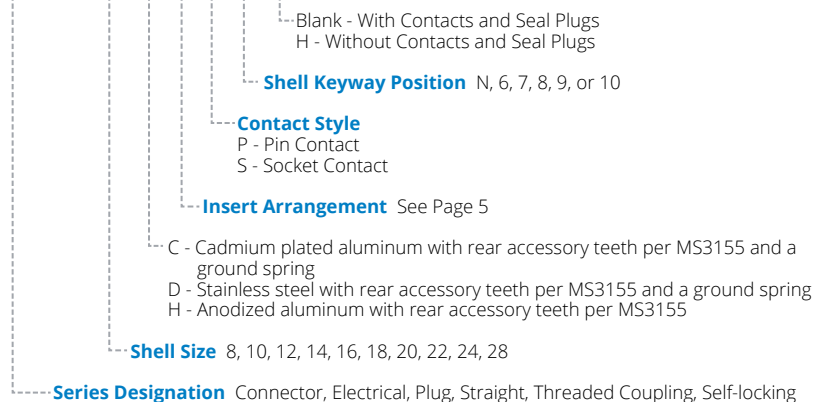
\* Not Available in Size 8 Connector

Shell Size	E Dia. Max.	F Dia. Max.	G Dia. Max.	H Thread
8	.328	.500	.821	1/2-20 UNF-2A
10	.420	.625	.972	5/8-24 UNEF-2A
12	.580	.750	1.080	3/4-20 UNEF-2A
14	.664	.875	1.230	7/8-20 UNEF-2A
16	.769	1.000	1.355	1-20 UNEF-2A
18	.902	1.062	1.470	1 1/16-18 UNEF-2A
20	1.033	1.187	1.607	1 3/16-18 UNEF-2A
22	1.152	1.312	1.735	1 5/16-18 UNEF-2A
24	1.282	1.437	1.858	1 7/16-18 UNEF-2A
28	1.500	1.750	2.113	1 3/4-18 UNS-2A

### How to Order

#### Boeing Part Number (Reference)

**BACC63BP 10 H 5 P N H**



(For rms part number details, see next page)

Consult Factory for  
Other Options



The R0710 Series connectors meet the performance requirements of MIL-DTL-2650 Class R, Type T; MS24266 Type T; and Boeing Standard BACC63BP.

The connector is thread coupled with rear insertion, front release contacts. The connector can be ordered either with or without gold plated contacts by using the order code associated with the rms number.

For contact, seal plug, and tooling information see page 4.

## How to Order

### rms Catalog Number

**R0710 10 H 05 P N - 0 00**

00 - Less Cable Clamp  
01 - With Right Angle Cable Clamp  
02 - With Straight Cable Clamp

0 - Less Contacts  
2 - With Gold Plated Boeing Contacts

**Shell Keyway Position** N, 6, 7, 8, 9, or 10

**Contact Style**  
P - Pin Contact  
S - Socket Contact

**Insert Arrangement** See Page 5

**Class A** Hard anodized aluminum shell and coupling ring, color black with fluorosilicone insert and grommet material. Qualified to BACC63BP for those insert arrangements that have no size 20 contacts.

**Class B** Passivated stainless steel shell and coupling ring with fluorosilicone insert and grommet material. Qualified to BACC63BP for those insert arrangements that have no size 20 contacts.

**Class C** Cadmium with clear chromate conversion over electroless nickel plated aluminum shell with fluorosilicone insert and grommet material. The shell has a ground spring. The coupling ring shall be hard anodized, color black. Qualified to BACC63BP for those insert arrangements that have no size 20 contacts.

**Class D** Passivated stainless steel shell and coupling ring with fluorosilicone insert and grommet material. The shell has a ground spring. Qualified to BACC63BP for those insert arrangements that have no size 20 contacts.

**Class E** Hard anodized aluminum shell and coupling ring, color black. Connectors have fluorosilicone insert and grommet material. Socket style connectors have a hard face socket insert. Qualified to BACC63BP for those insert arrangements that have size 20 contacts.

**Class F** Passivated stainless steel shell and coupling ring. Connectors have fluorosilicone insert and grommet material. Socket style connectors have a hard face socket insert. Qualified to BACC63BP for those insert arrangements that have size 20 contacts.

**Class G** Cadmium with clear chromate conversion over electroless nickel plated aluminum shell. The shell has a ground spring. The coupling ring shall be hard anodized, color black. Connectors have fluorosilicone insert and grommet material. Qualified to BACC63BP for those insert arrangements that have size 20 contacts.

**Class H** Passivated stainless steel shell and coupling ring. The shell has a ground spring. Connectors have fluorosilicone insert and grommet material. Qualified to BACC63BP for those insert arrangements that have size 20 contacts.

**Class J** Cadmium with clear chromate conversion over electroless nickel plated aluminum shell. The shell has a ground spring. The coupling ring shall be hard anodized, color black. Connectors have fluorosilicone insert and EPDM grommet material. Temperature exposure shall be 125° C max. Consult factory for availability.

**Class L** Hard anodized aluminum shell and coupling ring, color black. Connectors have fluorosilicone insert and EPDM grommet material. Temperature exposure shall be 125° C max. Consult factory for availability.

**Class N** Electroless nickel plated aluminum shell. The shell has a ground spring. The coupling ring shall be hard anodized, color black. Connectors have fluorosilicone insert and grommet material. Consult factory for availability.

**Class W** Cadmium with olive drab chromate conversion over electroless nickel plated aluminum shell with fluorosilicone insert and grommet material. The shell has a ground spring. The coupling ring shall be hard anodized, color black. Consult factory for availability.

**Shell Size** 8, 10, 12, 14, 16, 18, 20, 22, 24, 28

**Series Designation** Connector, Plug, Threaded Coupling, Self-locking, Vibration Resistant

Consult Factory for  
Other Options

# R0711 Series

## Threaded Receptacle

R0711XXXXXX



Not Shown Actual Size

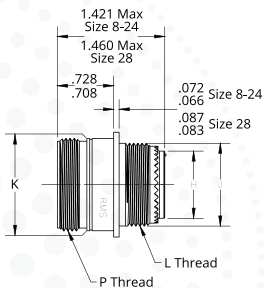
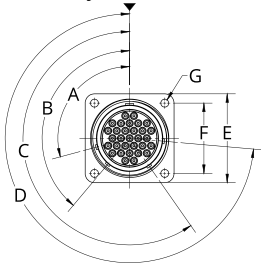
### Shell Polarity

Polarity	For Connectors Size 8 and 10				For Connectors Size 12, 14, 16, 18, 20, 22, 24 and 28			
	A	B	C	D	A	B	C	D
Normal	105°	140°	215°	265°	105°	140°	215°	265°
6	102°	132°	248°	320°	18°	149°	192°	259°
7	80°	118°	230°	312°	92°	152°	222°	342°
8	35°	140°	205°	275°	84°	152°	204°	334°
9	64°	155°	234°	304°	24°	135°	199°	240°
10*	25°	115°	220°	270°	98°	152°	268°	338°

\* Not Available in Size 8 Connector

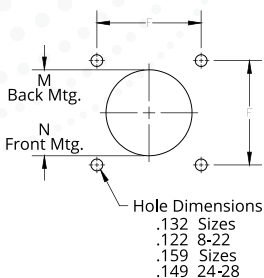
### Dimensions

Master Key



### Panel Mounting

Hole Cut-out



Shell Size	E ±.005	F ±.005	G Dia. +.000 - .009	H Dia. Max.	J Dia. Max.	K Dia. Max.	L Thread	M Dia. Min.	N Dia. Min.	P Thread
8	.812	.594	.125	.328	.500	.561	1/2-20 UNF-2A	.620	.510	9/16-24 UNEF-2A
10	.937	.719	.125	.420	.625	.696	5/8-24 UNEF-2A	.748	.635	11/16-24 UNEF-2A
12	1.031	.812	.125	.580	.750	.875	3/4-20 UNEF-2A	.913	.760	7/8-20 UNEF-2A
14	1.125	.906	.125	.664	.875	.935	7/8-20 UNEF-2A	.980	.885	15/16-20 UNEF-2A
16	1.250	.969	.125	.769	1.000	1.062	1-20 UNEF-2A	1.107	1.010	1 1/16-18 UNEF-2A
18	1.343	1.062	.125	.902	1.062	1.187	1 1/16-18 UNEF-2A	1.209	1.072	1 3/16-18 UNEF-2A
20	1.437	1.156	.125	1.033	1.182	1.312	1 3/16-18 UNEF-2A	1.337	1.192	1 5/16-18 UNEF-2A
22	1.562	1.250	.125	1.152	1.312	1.437	1 5/16-18 UNEF-2A	1.452	1.322	1 7/16-18 UNEF-2A
24	1.703	1.375	.154	1.282	1.432	1.562	1 7/16-18 UNEF-2A	1.577	1.442	1 9/16-18 UNEF-2A
28	2.000	1.562	.154	1.500	1.750	1.812	1 3/4-18 UNS-2A	1.827	1.760	1 13/16-16 UN-2A

## How to Order

### Boeing Part Number (Reference)

**BACC63BV 10 H 5 P N H**

- Blank - With Contacts and Seal Plugs  
H - Without Contacts and Seal Plugs
- Shell Keyway Position N, 6, 7, 8, 9, or 10
- Contact Style  
P - Pin Contact  
S - Socket Contact
- Insert Arrangement See Page 5
- B - Stainless with rear accessory teeth per MS3155  
F - Cadmium plated aluminum with rear accessory teeth per MS3155  
H - Anodized aluminum with rear accessory teeth per MS3155
- Shell Size 8, 10, 12, 14, 16, 18, 20, 22, 24, 28
- Series Designation Connector, Electrical, Receptacle, Flange Mount, Threaded Coupling, Vibration Resistant

(For rms part number details, see next page)

Consult Factory for Other Options

The R0711 Series connectors meet the performance requirements of MIL-DTL-26500 Class R, Type T; MS24264, Type T; and Boeing Standard BACC63BV.

The connector is thread coupled with rear insertion, front release contacts. The connector can be ordered either with or without gold plated contacts by using the order code associated with the rms number.

For contact, seal plug, and tooling information see page 4.

## How to Order

### rms Catalog Number

**R0711 10 H 05 P N - 0 00**

00 - Less Cable Clamp  
01 - With Right Angle Cable Clamp  
02 - With Straight Cable Clamp

0 - Less Contacts  
2 - With Gold Plated Boeing Contacts

**Shell Keyway Position** N, 6, 7, 8, 9, or 10

**Contact Style**

P - Pin Contact  
S - Socket Contact

**Insert Arrangement** See Page 5

**Class A** Hard anodized aluminum shell, color black with fluorosilicone insert and grommet material. Flange mount per MS24264. Qualified to BACC63BV for those insert arrangements that have no size 20 contacts.

**Class B** Passivated stainless steel shell with fluorosilicone insert and grommet material. Flange mount per MS24264. Qualified to BACC63BV for those insert arrangements that have no size 20 contacts.

**Class E** Electroless nickel plated stainless steel shell with fluorosilicone insert and grommet material. Flange mount per MS24264. Consult factory for availability.

**Class F** Cadmium with clear chromate conversion over electroless nickel plated aluminum shell with fluorosilicone insert and grommet material. Flange mount per MS24264. Qualified to BACC63BV for those insert arrangements that have no size 20 contacts.

**Class G** Hard anodized aluminum shell, color black. Flange mount per MS24264. Connectors have fluorosilicone insert and grommet material. Socket style connectors have a hard face socket insert. Qualified to BACC63BV for those insert arrangements that have size 20 contacts.

**Class H** Passivated stainless steel shell. Flange mount per MS24264. Connectors have fluorosilicone insert and grommet material. Socket style connectors have a hard face socket insert. Qualified to BACC63BV for those insert arrangements that have size 20 contacts.

**Class J** Cadmium with clear chromate conversion over electroless nickel plated aluminum shell. Flange mount per MS24264. Connectors have fluorosilicone insert and grommet material. Socket style connectors have a hard face socket insert. Qualified to BACC63BV for those insert arrangements that have size 20 contacts.

**Class M** Cadmium with clear chromate conversion over electroless nickel plated aluminum shell. Flange mount per MS24264. Connectors have fluorosilicone insert and EPDM grommet material. Consult factory for availability.

**Class N** Electroless nickel plated aluminum shell. Flange mount per MS24264. Connectors have fluorosilicone insert and grommet material. Consult factory for availability.

**Class P** Passivated stainless steel shell, shortened, less serrations with fluorosilicone insert and grommet material. Flange mount per MS24264. Consult factory for availability.

**Class W** Cadmium with olive drab chromate conversion over electroless nickel plated aluminum shell with fluorosilicone insert and grommet material. Flange mount per MS24264. Consult factory for availability.

**Shell Size** 8, 10, 12, 14, 16, 18, 20, 22, 24, 28

**Series Designation** Connector, Receptacle, Thread Coupling

Consult Factory for  
Other Options

## Test Data

(Vibration)

### Mounting

The plug connector was mated to a corresponding receptacle which was mounted by its normal mounting means to a suitable vibration fixture. The mated pair was wired in a manner that allowed a test current of 100ma in each contact. The resulting wire bundle was then clamped to the test table at a distance of  $6 \pm 1$  inches from the rear of the wire sealing grommet. The connector plug was equipped with a cable clamp.

### Testing

The test specimens were subjected to the random vibration motion specified in the figure on this page. Duration of the vibration was eight (8) hours in each of two mutually perpendicular axis, one of which was the major axis of the connector. A test current of 100ma was applied throughout the duration of the test. The maximum allowable current interruption (discontinuities) was one microsecond.

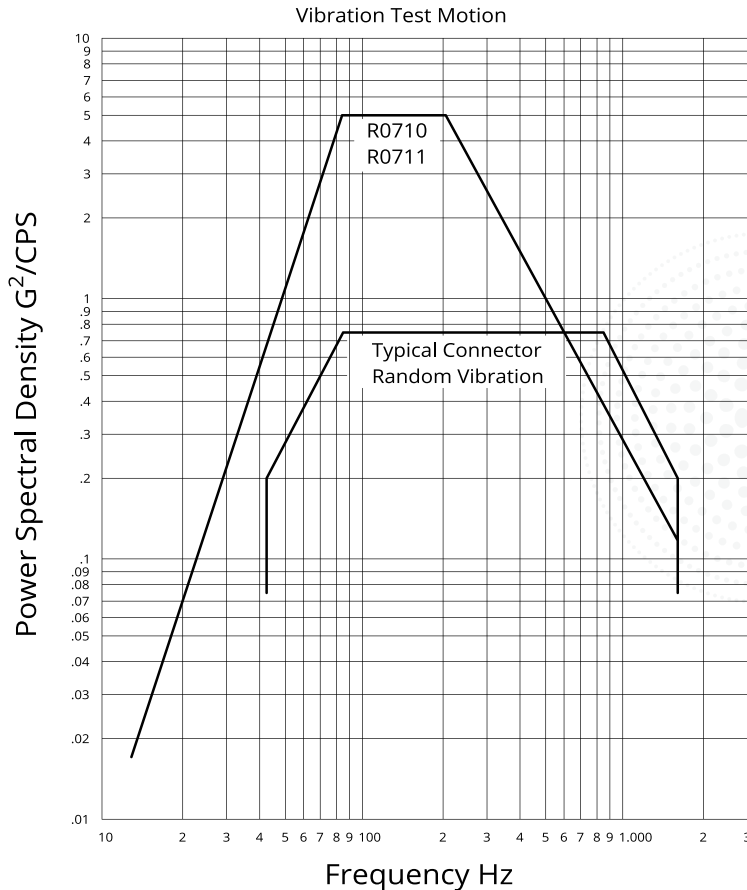
### Acceptance

The connectors remained coupled throughout the test and exhibited no discontinuity greater than one microsecond. Visual examination revealed no wear of the normal mating surface as a result of the vibration (coupling rings, detents, keys, keyways, and bottoming contact surfaces).

### About the Power Spectral Density Test Curve and the R0710/R0711 Series

The curve depicted represents a practical compromise between projected accelerated life tests (based on realistic operational aircraft vibration frequencies) and amplitudes elevated to practical test equipment capability levels. This means that "time in test" factor can be adjusted to project operational life expectancy on any application where dynamic data has been established.

rms R0710 and R0711 connector test samples subjected to this test curve showed no evidence of wear or deterioration after vibrating for the hours specified (Total: 16 hours).



# R0712 Series

## Bayonet Plug

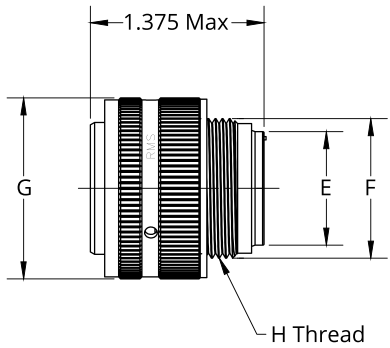
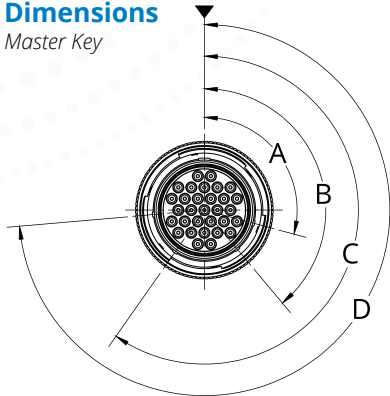
R0712XXXXXXX



Not Shown Actual Size

### Dimensions

Master Key



### Shell Polarity

Polarity	For Connectors Size 8 and 10				For Connectors Size 12, 14, 16, 18, 20, 22, and 24			
	A	B	C	D	A	B	C	D
Normal	105°	140°	215°	265°	105°	140°	215°	265°
6	102°	132°	248°	320°	18°	149°	192°	259°
7	80°	118°	230°	312°	92°	152°	222°	342°
8	35°	140°	205°	275°	84°	152°	204°	334°
9	64°	155°	234°	304°	24°	135°	199°	240°
10*	25°	115°	220°	270°	98°	152°	268°	338°

\* Not Available in Size 8 Connector

Shell Size	E Dia. Max.	F Dia. Max.	G Dia. Max.	H Thread
8	.328	.437	.766	7/16-28 UNEF-2A
10	.420	.562	.906	9/16-24 UNEF-2A
12	.580	.750	1.078	3/4-20 UNEF-2A
14	.664	.812	1.141	13/16-20 UNEF-2A
16	.769	.938	1.266	15/16-20 UNEF-2A
18	.902	1.062	1.375	1 1/16-18 UNEF-2A
20	1.033	1.182	1.510	1 3/16-18 UNEF-2A
22	1.152	1.312	1.625	1 5/16-18 UNEF-2A
24	1.282	1.432	1.760	1 7/16-18 UNEF-2A

The R0712 Series connectors meet the performance requirements of MIL-DTL-26500 Class R, Type B; MS24266 Type B; and Boeing standard BACC63BN.

The connector is bayonet coupled with rear insertion, front release contacts. The connector can be ordered either with or without gold plated contacts by using the order code associated with the rms number.

For contact, seal plug, and tooling information see page 4.

## How to Order

### rms Catalog Number

**R0712 10 B 05 P N - 0 00**

00 - Less Cable Clamp  
01 - With Right Angle Cable Clamp  
02 - With Straight Cable Clamp

0 - Less Contacts  
2 - With Gold Plated Boeing Contacts

**Shell Keyway Position** N, 6, 7, 8, 9, or 10

#### Contact Style

P - Pin Contact  
S - Socket Contact

**Insert Arrangement** See Page 5

**Class A** Hard anodized aluminum shell and coupling ring, color black with fluorosilicone insert and grommet material. Qualified to BACC63BN for those insert arrangements that have no size 20 contacts.

**Class B** Hard anodized aluminum shell and coupling ring, color black. Connectors have fluorosilicone insert and grommet material. Socket style connectors have a hard face socket insert. Qualified to BACC63BN for those insert arrangements that have size 20 contacts.

**Class N** Electroless nickel plated aluminum shell. Coupling Ring shall be hard anodized, color black with fluorosilicone insert and grommet material. Consult factory for availability.

**Shell Size** 8, 10, 12, 14, 16, 18, 20, 22, 24

**Series Designation** Connector, Plug, Bayonet Coupling, Vibration Resistant

### Boeing Part Number (Reference)

**BACC63BN 10 - 5 P N H**

Blank - With Contacts and Seal Plugs  
H - Without Contacts and Seal Plugs

**Shell Keyway Position** N, 6, 7, 8, 9, or 10

#### Contact Style

P - Pin Contact  
S - Socket Contact

**Insert Arrangement** See Page 5

"-" - Less Cable Clamp  
B - Right Angle Cable Clamp  
C - Straight Cable Clamp

**Shell Size** 8, 10, 12, 14, 16, 18, 20, 22, 24

**Series Designation** Connector, Electrical, Plug, Straight, Bayonet Coupling, Vibration Resistant

Consult Factory for  
Other Options

# R0708 Series

## Flange Mount or Single Hole Mount

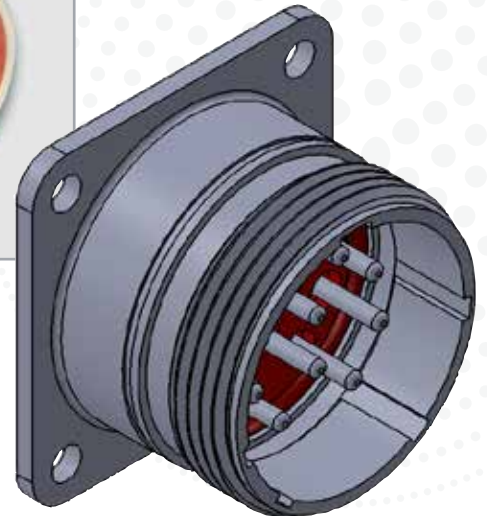
### Receptacles

The R0708 Series connectors are designed for termination to printed circuit boards, flex circuitry, or may be furnished with wire wrap or solder pot contacts.

The mating interface is compatible with MIL-DTL-26500 and MIL-DTL-83723/86, /87, /91, /92, /95 & /96 Type T Connectors. There are several mounting Flange variations as well as contact termination lengths as shown in the following figures. Consult factory for availability.

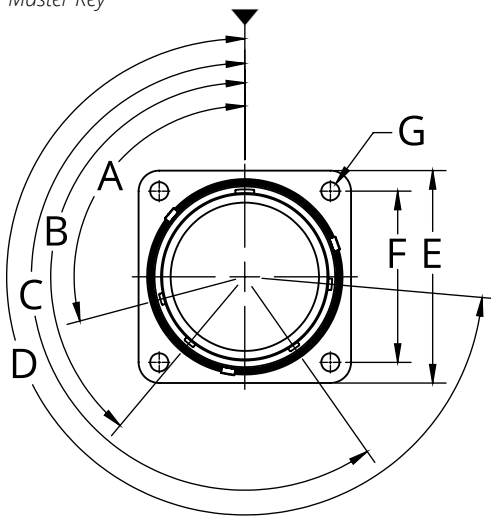


Not Shown Actual Size



### Dimensions

Master Key



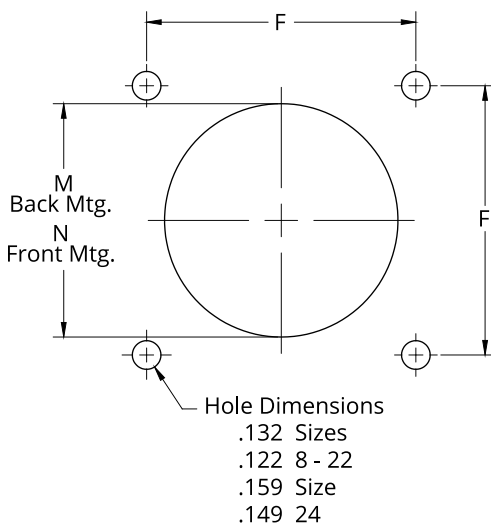
### Shell Polarity

Polarity	For Connectors Size 8 and 10				For Connectors Size 12, 14, 16, 18, 20, 22 and 24			
	A	B	C	D	A	B	C	D
Normal	105°	140°	215°	265°	105°	140°	215°	265°
6	102°	132°	248°	320°	18°	149°	192°	259°
7	80°	118°	230°	312°	92°	152°	222°	342°
8	35°	140°	205°	275°	84°	152°	204°	334°
9	64°	155°	234°	304°	24°	135°	199°	240°
10*	25°	115°	220°	270°	98°	152°	268°	338°

\* Not Available in Size 8 Connector

### Panel Mounting for Standard Flange

Hole Cut-out

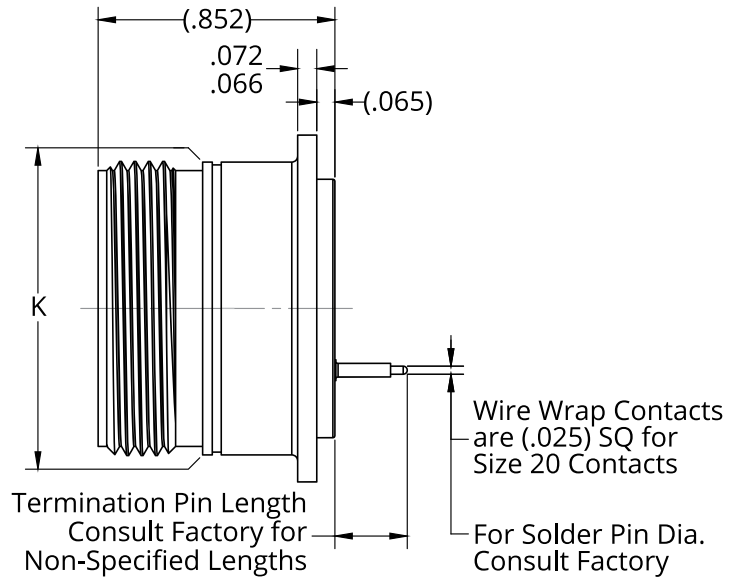
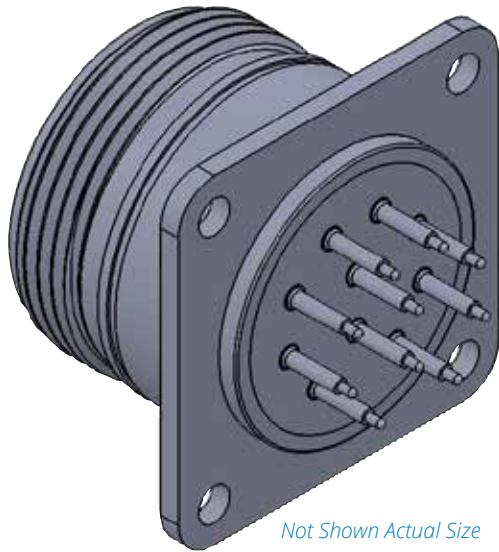


Shell Size	E ±.005	F ±.005	G Dia. /1 ±.000 - .009	J Dia. Max.	K Dia. Max.	M Dia. Min.	N Dia. Min.
8	.812	.594	.125	.500	.561	.620	.510
10	.937	.719	.125	.620	.696	.748	.635
12	1.031	.812	.125	.750	.875	.913	.750
14	1.125	.906	.125	.871	.935	.980	.885
16	1.250	.969	.125	.996	1.062	1.107	1.010
18	1.343	1.062	.125	1.062	1.187	1.209	1.072
20	1.437	1.156	.125	1.184	1.312	1.337	1.192
22	1.562	1.250	.125	1.312	1.437	1.452	1.322
24	1.703	1.375	.154	1.432	1.562	1.577	1.442

1/ Unless Specified Otherwise by Part Number Configuration

## Flange Mount or Single Hole Mount

Receptacles



## How to Order

### rms Catalog Number

**R0708 10 A 05 P N A 1 1 - A**

----- **Special Option Code (Only Marked if Applicable)**

----- **Termination Pin Length**

Solder Pin (Flange Option 1)  
1 - .260 ± .015  
2 - .366 ± .020

----- **Mounting Flange Variation**

1 - Square Flange Mount, Standard Thru Holes (4).  
2 - Square Flange Mount, Chamfered Thru Holes (4).

----- **Contact Type**

A - Solder Pin for Use with Printed Circuit Boards or Flex Circuitry, Step Pin with  $\phi$  .030 X .060 Long  
B - Solder Cup  
D - Solder Pin for Use with Printed Circuit Boards or Flex Circuitry,  $\phi$  .030 Contact Tail  
E - Solder Pin for Use with Printed Circuit Boards or Flex Circuitry,  $\phi$  .024 Contact Tail with Solder Coat  
F - Solder Pin for Use with Printed Circuit Boards or Flex Circuitry,  $\phi$  .030 Contact Tail with Solder Coat  
G - Solder Pin for Use with Printed Circuit Boards or Flex Circuitry,  $\phi$  .019 Contact Tail with Solder Coat

----- **Shell Keyway Position** N, 6, 7, 8, 9 or 10

----- **Contact Style** "P" - Pin Contact, "S" - Socket Contact

----- **Insert Arrangement** See Page 5

----- **Shell Finish**

A - Hard Anodized Aluminum Shell  
B - Stainless Steel Shell, Passivated  
G - Cadmium over Nickel Plated Aluminum Shell with Clear Chromate Conversion  
H - Cadmium over Nickel Plated Aluminum Shell with Olive Drab Chromate Conversion with Resilient Contact Potting  
N - Nickel Plated Aluminum Shell  
W - Cadmium over Nickel Plated Aluminum Shell with Olive Drab Chromate Conversion  
Z - Cadmium over Nickel Plated Aluminum Shell with Clear Chromate Conversion without Dry Film Lubricant on Mating Thread

----- **Shell Size** 08, 10, 12, 14, 16, 18, 20, 22, 24

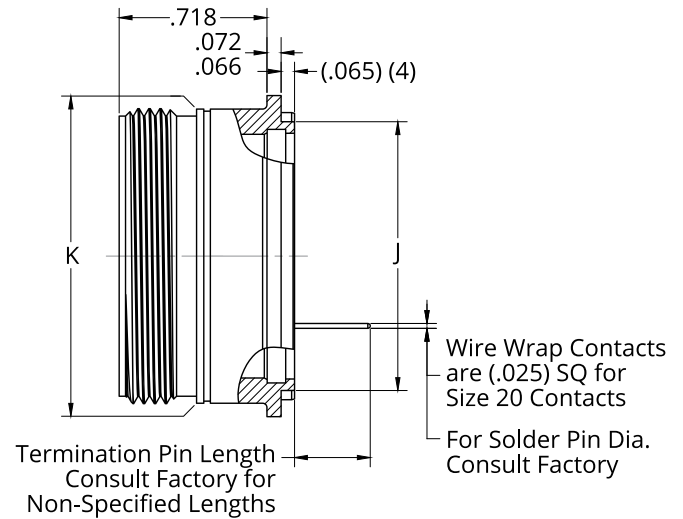
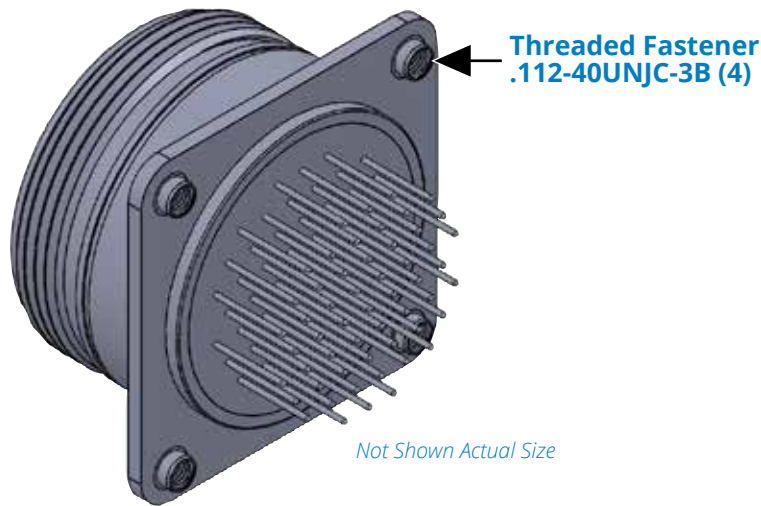
----- **Series Designation** Connector, Receptacle, Non-Removable Contact

- Consult Factory for Other Options -



# Flange Mount Threaded Fasteners Pressed in Place

Receptacles



## How to Order

### rms Catalog Number

**R0708 10 A 05 P N A 7 1 - A**

Special Option Code (Only Marked if Applicable)

**Termination Pin Length**

Solder Pin (Flange Option 7)  
1 - .366 ± .015

**Mounting Flange Variation**

7 - Square Flange Mount, Threaded Fasteners Pressed in Place (4)

**Contact Type**

- A - Solder Pin for Use with Printed Circuit Boards or Flex Circuitry, Step Pin with  $\phi$ .030 X .060 Long
- B - Solder Cup
- D - Solder Pin for Use with Printed Circuit Boards or Flex Circuitry,  $\phi$ .030 Contact Tail
- E - Solder Pin for Use with Printed Circuit Boards or Flex Circuitry,  $\phi$ .024 Contact Tail with Solder Coat
- F - Solder Pin for Use with Printed Circuit Boards or Flex Circuitry,  $\phi$ .030 Contact Tail with Solder Coat
- G - Solder Pin for Use with Printed Circuit Boards or Flex Circuitry,  $\phi$ .019 Contact Tail with Solder Coat

**Shell Keyway Position** N, 6, 7, 8, 9 or 10

**Contact Style** "P" - Pin Contact, "S" - Socket Contact

**Insert Arrangement** See Page 5

**Shell Finish**

- A - Hard Anodized Aluminum Shell
- B - Stainless Steel Shell, Passivated
- G - Cadmium over Nickel Plated Aluminum Shell with Clear Chromate Conversion
- H - Cadmium over Nickel Plated Aluminum Shell with Olive Drab Chromate Conversion with Resilient Contact Potting
- N - Nickel Plated Aluminum Shell
- W - Cadmium over Nickel Plated Aluminum Shell with Olive Drab Chromate Conversion
- Z - Cadmium over Nickel Plated Aluminum Shell with Clear Chromate Conversion without Dry Film Lubricant on Mating Thread

**Shell Size** 08, 10, 12, 14, 16, 18, 20, 22, 24

**Series Designation** Connector, Receptacle, Non-Removable Contact

- Consult Factory for Other Options -

# R0709 Series

## Flange Mount or Single Hole Mount

### Receptacles

The R0709 Series connectors are designed for termination to printed circuit boards, flex circuitry, or may be furnished with solder pin, wire wrap, compliant contact or solder pot contacts.

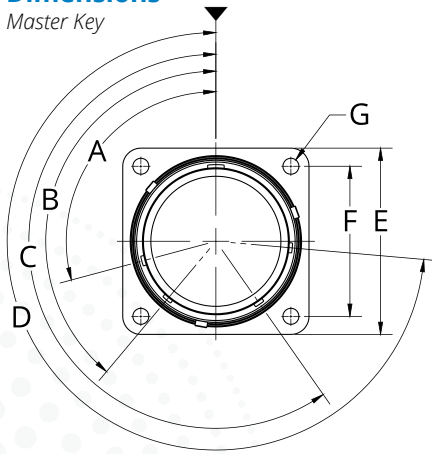
The gold plated contacts are designed for ease of maintenance with insertion and removal accomplished through the front side of the connector eliminating the requirement to disassemble the entire connector from its mounting. The mating interface is compatible with MIL-DTL-26500 and MIL-DTL-83723/75, /76, /77, and /78 Type B Connectors. There are several mounting Flange variations as well as contact termination lengths as shown in the following figures. Consult factory for availability.



Not Shown Actual Size

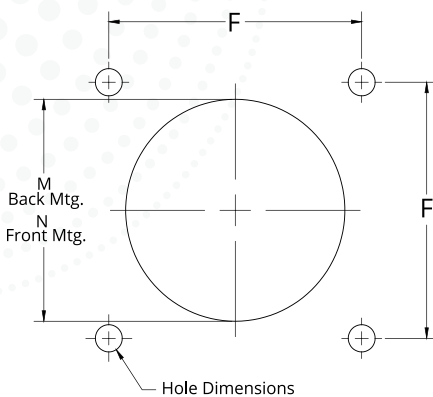
### Dimensions

Master Key



### Panel Mounting for Standard Flange

Hole Cut-out



### Shell Polarity

Polarity	For Connectors Size 8 and 10				For Connectors Size 12, 14, 16, 18, 20, 22 and 24			
	A	B	C	D	A	B	C	D
Normal	105°	140°	215°	265°	105°	140°	215°	265°
6	102°	132°	248°	320°	18°	149°	192°	259°
7	80°	118°	230°	312°	92°	152°	222°	342°
8	35°	140°	205°	275°	84°	152°	204°	334°
9	64°	155°	234°	304°	24°	135°	199°	240°
10*	25°	115°	220°	270°	98°	152°	268°	338°

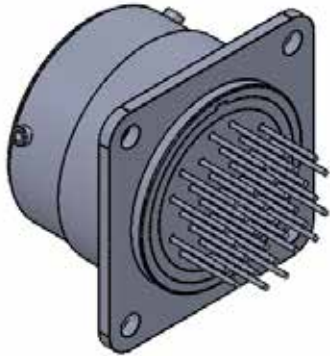
\* Not Available in Size 8 Connector

Shell Size	E ±.005	F ±.005	G Dia. /1 +.000 -.009	J Dia. Max.	K Dia. Max.	M Dia. Min.	N Dia. Min.
8	.812	.594	.125	.500	.561	.620	.510
10	.937	.719	.125	.620	.696	.748	.635
12	1.031	.812	.125	.750	.875	.913	.750
14	1.125	.906	.125	.871	.935	.980	.885
16	1.250	.969	.125	.996	1.062	1.107	1.010
18	1.343	1.062	.125	1.062	1.187	1.209	1.072
20	1.437	1.156	.125	1.184	1.312	1.337	1.192
22	1.562	1.250	.125	1.312	1.437	1.452	1.322
24	1.703	1.375	.154	1.432	1.562	1.577	1.442

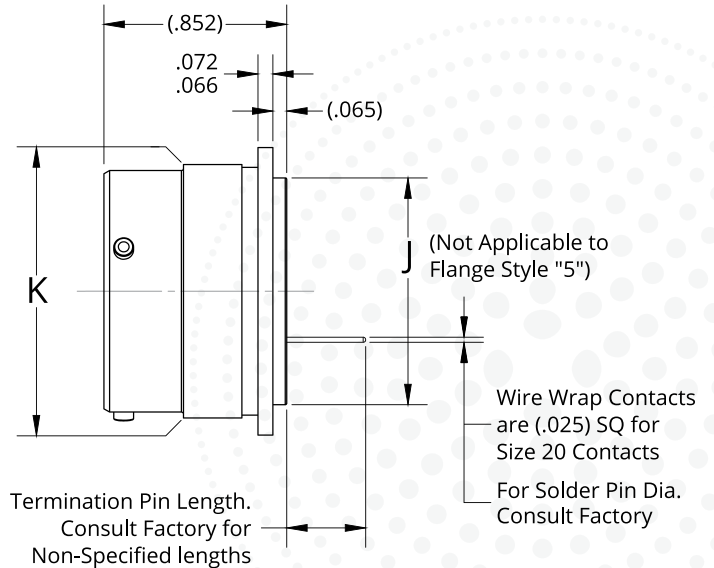
1/ Unless Specified Otherwise by Part Number Configuration

# Flange Mount or Single Hole Mount

Receptacles



Not Shown Actual Size



## How to Order

Series Catalog Number

**R0709 10 A 05 P N A 1 1**

### Termination Pin Length

Solder Pin (Type A & D)

Flange Options 1,2,5,6)

- 1-.255 ± .020
- 2-.935 ± .020
- 3-.526 ± .020
- 4-.365 ± .020
- 5-.965 ± .020
- 6-.396 ± .020
- 7-.436 ± .020
- 8-.978 ± .020 (No Solder Coat)
- 9-.557 ± .020

Wire Wrap (B)  
(Flange Option 1)

1 - .750 ± .020

Compliant Pin (0)  
(Flange Option 0)

1 - .323 ± .020

### Mounting Flange Variation

- 0 - Square Flange Mount, Standard Thru Holes (4)
- 1 - Square Flange Mount, Standard Thru Holes (4)
- 2 - Square Flange Mount, Chamfered Thru Holes (4)
- 5 - Square Flange Mount, Standard Thru Holes (4), Flange Flush to Rear of Shell
- 6 - Square Flange Mount, (∅ .142) Thru Holes (4)

### Contact Type

- A - Solder Pin Termination
- B - Wire Wrap Termination
- C - Compliant Pin Termination with Solder Post
- D - Solder Pin Termination - No Solder Coat
- 0 - Compliant Pin Termination with Solder Post

Shell Keyway Position N, 6, 7, 8, 9 or 10

Contact Style "P" - Pin Contact, "S" - Socket Contact

Insert Arrangement See Page 5

### Shell Finish

- A - Hard Anodized Aluminum Shell
- G - Cadmium over Nickel Plated Aluminum Shell with Clear Chromate Conversion
- N - Nickel Plated Aluminum Shell
- W - Cadmium over Nickel Plated Aluminum Shell with Olive Drab Chromate Conversion

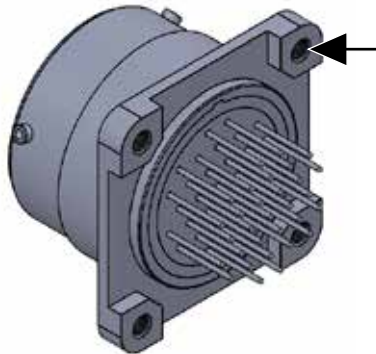
Shell Size 08, 10, 12, 14, 16, 18, 20, 22, 24

Series Designation "Connector, Receptacle, Flange Mount, Front Insert, Front Removable Contacts"

- Consult Factory for Other Options -

## Flange Mount Board Mounting Standoffs

Receptacles

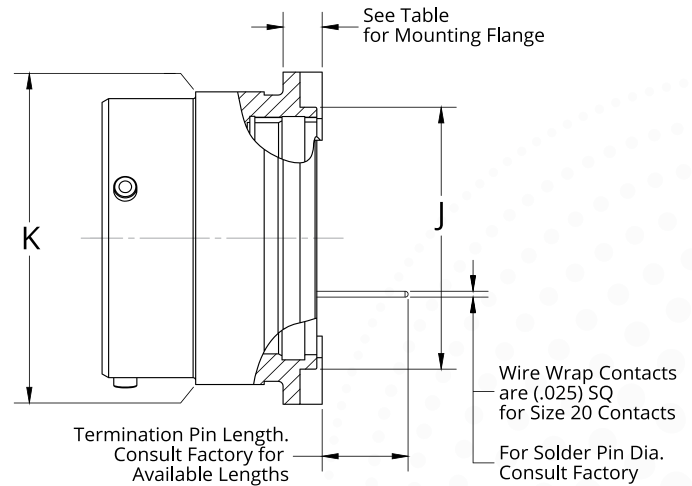


Standoff with Threaded Insert (4)

Shell Size	Thread Size
8 - 14	.086-56UNC-2B
16 - 24	.112-40UNC-2B

Unless Otherwise Specified in Table

Not Shown Actual Size



## How to Order

### rms Catalog Number

**R0709 10 A 05 P N A 4 1**

#### Termination Pin Length

Solder Pin (A)  
(Flange Options 4,7,8,9 and J)

- 1 - .255 ± .020
- 2 - .365 ± .020
- 3 - .526 ± .020
- 4 - .935 ± .020
- 5 - .297 ± .020
- 6 - .524 ± .020

Solder Pin (A)  
(Flange Option L)

- 6 - .524 ± .020

Compliant Pin (C)  
(Flange Option M)

- 1 - .241 ± .020

Solder Pin (A)  
(Flange Option N)

- 1 - .217 ± .020

Compliant Pin (C)  
(Flange Option N)

- 1 - .235 ± .020

Solder Pin (D)  
(Flange Option J)

- 5 - .297 ± .020

#### Mounting Flange Variation

- 4 - Square Flange Mount, (.157 ± .005) Board Mounting Standoffs, .086-56UNC-2B Threaded Inserts in Mounting Holes (4)
- 7 - Square Flange Mount, (.225 ± .005) Board Mounting Standoffs, Threaded Inserts in Mounting Holes (4)
- 8 - Square Flange Mount, (.335 ± .005) Board Mounting Standoffs, Threaded Inserts in Mounting Holes (4)
- 9 - Square Flange Mount, (.200 ± .005) Board Mounting Standoffs, Threaded Inserts in Mounting Holes (4)
- J - Square Flange Mount, (.200 ± .005) Board Mounting Standoffs, .112-40UNC-2B Threaded Inserts in Mounting Holes (4)
- L - Square Flange Mount, (.500 ± .005) Board Mounting Standoffs, Threaded Inserts in Mounting Holes (4)
- M - Square Flange Mount, (.125 ± .005) Board Mounting Standoffs with Rear Flange Alignment Pin, Chamfered Thru Holes (4)
- N - Square Flange Mount, (.200 ± .005) Board Mounting Standoffs with Rear Flange Alignment Pin, .112-40UNC-2B Threaded Inserts in Mounting Holes (4)

#### Contact Type

- A - Solder Pin Termination
- B - Wire Wrap Termination
- C - Compliant Pin Termination with Solder Post
- D - Solder Pin Termination - No Solder Coat
- 0 - Compliant Pin Termination with Solder Post

#### Shell Keyway Position

N, 6, 7, 8, 9 or 10

#### Contact Style

"P" - Pin Contact, "S" - Socket Contact

#### Insert Arrangement

See Page 5

#### Shell Finish

- A - Hard Anodized Aluminum Shell
- G - Cadmium over Nickel Plated Aluminum Shell with Clear Chromate Conversion
- N - Nickel Plated Aluminum Shell
- W - Cadmium over Nickel Plated Aluminum Shell with Olive Drab Chromate Conversion

#### Shell Size

08, 10, 12, 14, 16, 18, 20, 22, 24

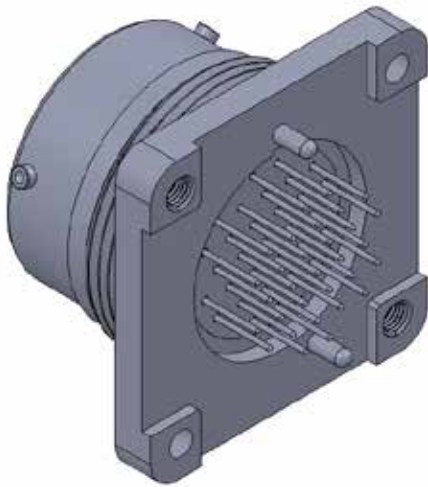
#### Series Designation

"Connector, Receptacle, Flange Mount, Front Insert, Front Removable Contacts"

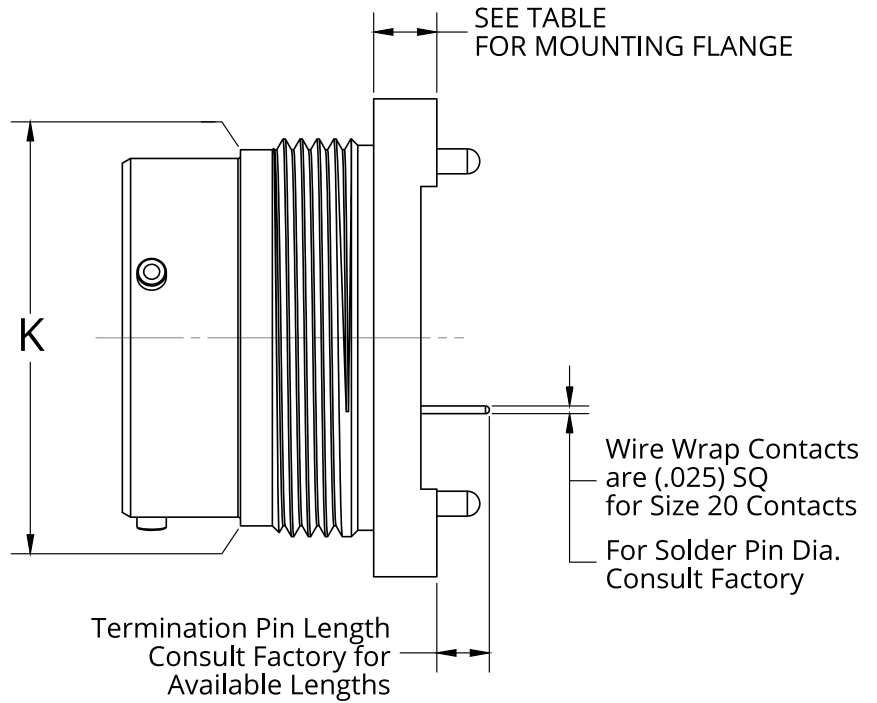
- Consult Factory for Other Options -

# Single Hole Mount Board Mounting Standoffs

Receptacles



Not Shown Actual Size



## How to Order

### rms Catalog Number

**R0709 10 A 05 P N A H 1**

#### Termination Pin Length

Solder Pin (A)  
(Flange Option E, H and K)  
1 - .159 ± .020

Compliant Pin (C)  
(Flange Option H)  
1 - .190 ± .020

Compliant Pin (C)  
(Flange Option K)  
1 - .173 ± .020

Solder Pin (D)  
(Flange Option K)  
1 - .159 ± .020

#### Mounting Flange Variation

E - Square Flange, Single Hole Mount (.150 ± .005) Board Mounting Standoffs, (2) .112-40UNC-2B Threaded Inserts in Mounting Holes, (2) Thru Holes  
H - Square Flange, Single Hole Mount (.150 ± .005) Board Mounting Standoffs, (2) .112-40UNC-2B Threaded Inserts in Mounting Holes, (2) Thru Holes. Less Grounding Washer, Friction Washer, and Hexagon Nut  
K - Square Flange, Single Hole Mount - Less Thread (.200 ± .005) Board Mounting Standoffs, .112-40UNC-2B Threaded Inserts in Mounting Holes (4). Less Grounding Washer, Friction Washer and Hexagon Nut

#### Contact Type

A - Solder Pin Termination  
B - Wire Wrap Termination  
C - Compliant Pin Termination with Solder Post  
D - Solder Pin Termination - No Solder Coat  
O - Compliant Pin Termination with Solder Post

#### Shell Keyway Position N, 6, 7, 8, 9 or 10

#### Contact Style "P" - Pin Contact, "S" - Socket Contact

#### Insert Arrangement See Page 5

#### Shell Finish

A - Hard Anodized Aluminum Shell  
G - Cadmium over Nickel Plated Aluminum Shell with Clear Chromate Conversion  
N - Nickel Plated Aluminum Shell  
W - Cadmium over Nickel Plated Aluminum Shell with Olive Drab Chromate Conversion

#### Shell Size 08, 10, 12, 14, 16, 18, 20, 22, 24

#### Series Designation "Connector, Receptacle, Flange Mount, Front Insert, Front Removable Contacts"

- Consult Factory for Other Options -

# R0713 Series

## Flange Mount or Single Hole Mount

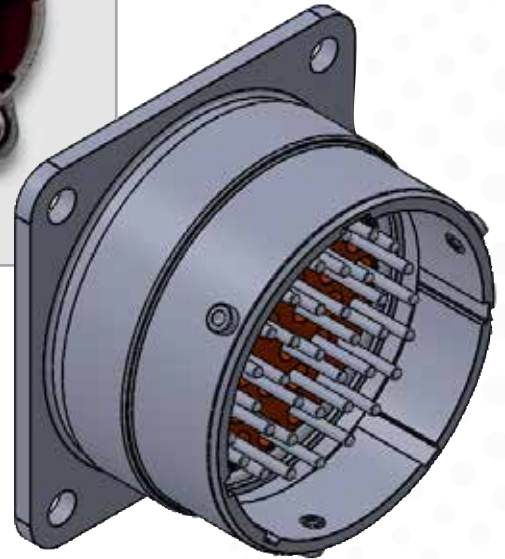
### Receptacles

The R0713 Series connectors are designed for termination to printed circuit boards, flex circuitry, or may be furnished with wire wrap or solder pot contacts.

The mating interface is compatible with MIL-DTL-26500 and MIL-DTL-83723/75, /76, /77, & /78 Type B Connectors. There are several mounting Flange variations as well as contact termination lengths as shown in the following figures. Consult factory for availability.



*Not Shown Actual Size*



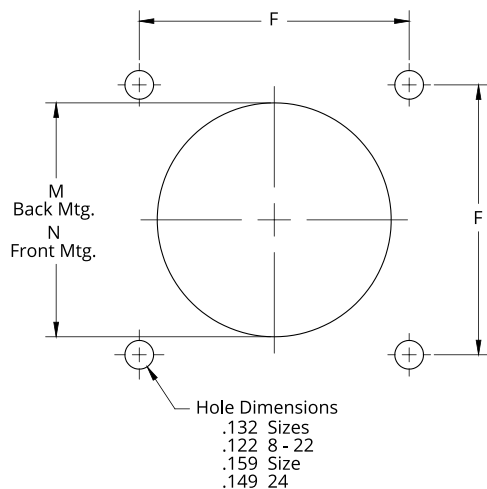
### Shell Polarity

Polarity	For Connectors Size 8 and 10				For Connectors Size 12, 14, 16, 18, 20, 22 and 24			
	A	B	C	D	A	B	C	D
Normal	105°	140°	215°	265°	105°	140°	215°	265°
6	102°	132°	248°	320°	18°	149°	192°	259°
7	80°	118°	230°	312°	92°	152°	222°	342°
8	35°	140°	205°	275°	84°	152°	204°	334°
9	64°	155°	234°	304°	24°	135°	199°	240°
10*	25°	115°	220°	270°	98°	152°	268°	338°

\* Not Available in Size 8 Connector

### Panel Mounting

Hole Cut-out

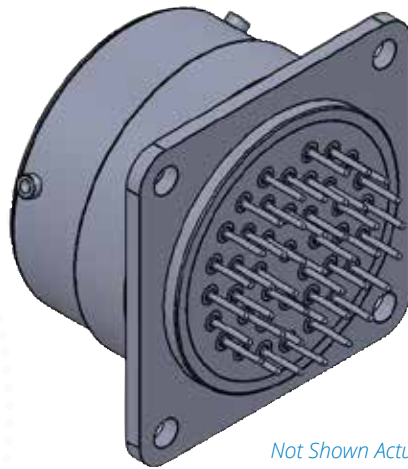


Shell Size	E ± .005	F ± .005	G Dia. 1/ + .000 - .009	J Dia. Max.	K Dia. Max.	M Dia. Min.	N Dia. Min.
8	.812	.594	.125	.500	.561	.620	.510
10	.937	.719	.125	.620	.696	.748	.635
12	1.031	.812	.125	.750	.875	.913	.750
14	1.125	.906	.125	.871	.935	.980	.885
16	1.250	.969	.125	.996	1.062	1.107	1.010
18	1.343	1.062	.125	1.062	1.187	1.209	1.072
20	1.437	1.156	.125	1.184	1.312	1.337	1.192
22	1.562	1.250	.125	1.312	1.437	1.452	1.322
24	1.703	1.375	.154	1.432	1.562	1.577	1.442

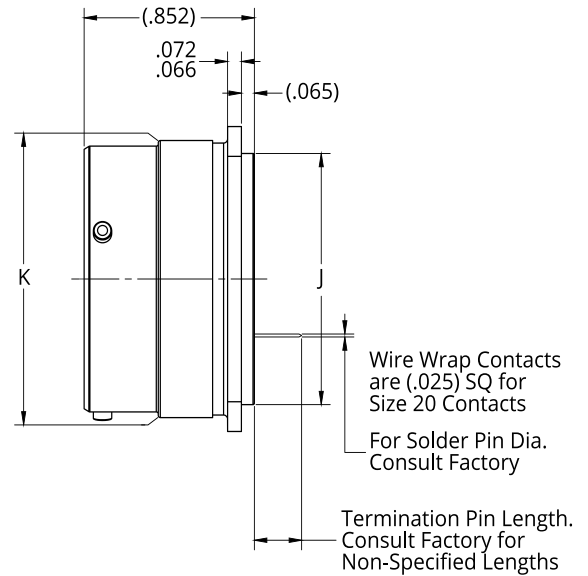
1/ Unless Specified Otherwise by Part Number Configuration

# Flange Mount or Single Hole Mount

Receptacles



Not Shown Actual Size



## How to Order

### rms Catalog Number

**R0713 10 A 05 P N A 1 1 - A**

#### Special Option Code (Only Marked if Applicable)

##### Termination Pin Length

Solder Pin (Type A & D)	Solder Cup (Type B)	Wire Wrap (Type C)
1 - .205 ± .020	1 - .185 ± .020	1 - .270 ± .020
2 - .255 ± .020		2 - .815 ± .020
3 - .575 ± .020		
4 - .935 ± .020	Solder Pin (Type E)	Solder Pin (Type F)
5 - .505 ± .020	2 - .260 ± .020	1 - .159 ± .020
6 - .390 ± .020		2 - .225 ± .020
7 - .100 ± .010		
8 - .300 ± .020		
9 - .735 ± .020		

##### Mounting Flange Variation

- 1 - Square Flange Mount, Standard Thru Holes (4).
- 2 - Square Flange Mount, Chamfered Thru Holes (4).
- 3 - Single Hole Mount with Jam Nut - Consult Factory.
- 5 - Square Flange Mount, Standard Thru Holes (4).  
Flange Flush to Rear of Shell - Consult Factory.
- 6 - Square Flange Mount, (∅.142) Thru Holes (4).
- 8 - Flange Mount with External Key - Consult Factory
- H - Square Flange, Single Hole Mount, (2) Threaded Mounting Holes, (2) Thru Holes. (.150 + .005 Standoffs) - Consult Factory.

##### Contact Type

- A - Solder Pin for Use with Printed Circuit Boards or Flex Circuitry
- B - Solder Cup
- C - Wire Wrap Square Tail
- D - Solder Pin for Use with Printed Circuit Boards or Flex Circuitry
- E - Solder Pin for Use with Printed Circuit Boards or Flex Circuitry, Step Pin with ∅.030 x .060 Long
- F - Solder Pin (Size 12 Contacts Only) for Use with Printed Circuit Boards or Flex Circuitry with Solder Coat
- G - Solder Pin for Use with Printed Circuit Boards or Flex Circuitry with Special Contact Placement - Consult Factory
- H - Solder Pin for Use with Printed Circuit Boards or Flex Circuitry less Solder Coat
- K - Solder Pin for Use with Printed Circuit Boards or Flex Circuitry with Solder Coat

##### Shell Keyway Position N, 6, 7, 8, 9 or 10

##### Contact Style "P" - Pin Contact, "S" - Socket Contact

##### Insert Arrangement See Page 5

##### Shell Finish

- A - Hard Anodized Aluminum Shell
- F - Cadmium over Nickel Plated Aluminum Shell with Clear Chromate Conversion with Resilient Contact Potting
- G - Cadmium over Nickel Plated Aluminum Shell with Clear Chromate Conversion
- H - Cadmium over Nickel Plated Aluminum Shell with Olive Drab Chromate Conversion with Resilient Contact Potting
- N - Nickel Plated Aluminum Shell
- W - Cadmium over Nickel Plated Aluminum Shell with Olive Drab Chromate Conversion

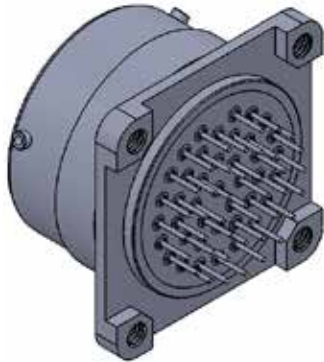
##### Shell Size 08, 10, 12, 14, 16, 18, 20, 22, 24

##### Series Designation Connector, Receptacle, Non-Removable Contact

- Consult Factory for Other Options -

## Flange Mount Threaded Mounting Holes

Receptacles

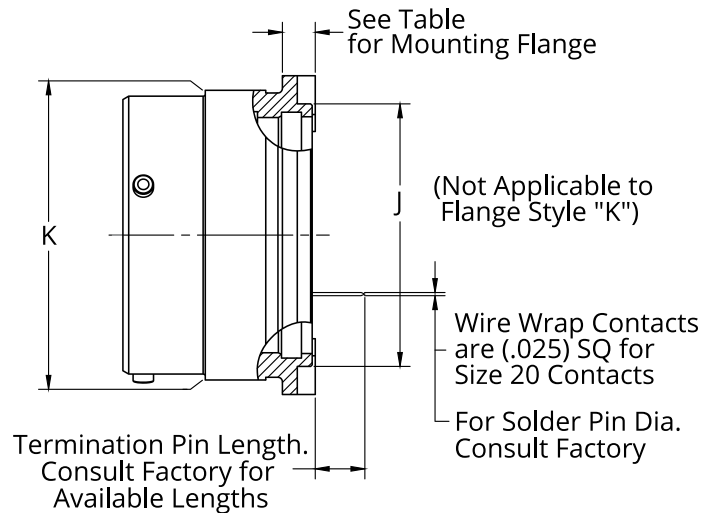


Not Shown Actual Size

**Stand-off with Threaded Insert (4)**

Shell Size	Thread Size
8 - 14	.086-56UNC-2B
16 - 24	.112-40UNC-2B

Unless Otherwise Specified in Table



## How to Order

### rms Catalog Number

**R0713 10 A 05 P N A 4 1 - A**

Special Option Code (Only Marked if Applicable)

**Termination Pin Length**

(Determined by Stand-Off Height - Consult Factory)

**Mounting Flange Variation**

4 - Square Flange Mount, Threaded Mounting Holes (4).  
(Standard Height = .157" STD, Consult Factory for Other Options)  
K - Square Flange Mount, Threaded Mounting Holes (4).  
(.200 + .005 Standoffs) with Rear Flange Alignment Pins

**Contact Type**

A - Solder Pin for Use with Printed Circuit Boards or Flex Circuitry  
B - Solder Cup  
H - Solder Pin for Use with Printed Circuit Boards or Flex Circuitry

**Shell Keyway Position** N, 6, 7, 8, 9 or 10

**Contact Style** "P" - Pin Contact, "S" - Socket Contact

**Insert Arrangement** See Page 5

**Shell Finish**

A - Hard Anodized Aluminum Shell  
F - Cadmium over Nickel Plated Aluminum Shell with Clear Chromate Conversion with Resilient Contact Potting  
G - Cadmium over Nickel Plated Aluminum Shell with Clear Chromate Conversion  
H - Cadmium over Nickel Plated Aluminum Shell with Olive Drab Chromate Conversion with Resilient Contact Potting  
N - Nickel Plated Aluminum Shell  
W - Cadmium over Nickel Plated Aluminum Shell with Olive Drab Chromate Conversion

**Shell Size** 08, 10, 12, 14, 16, 18, 20, 22, 24

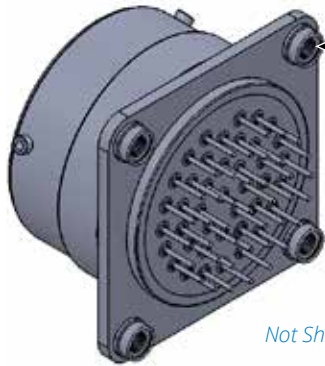
**Series Designation** Connector, Receptacle, Non-Removable Contact

- Consult Factory for Other Options -



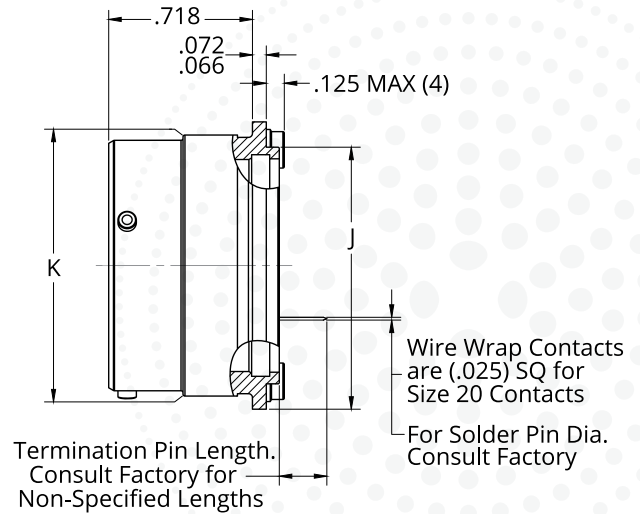
# Flange Mount Threaded Fasteners Pressed in Place

Receptacles



**Threaded Fastener  
.112-40UNJC-3B (4)**

*Not Shown Actual Size*



## How to Order

### rms Catalog Number

**R0713 10 A 05 P N A 7 1 - A**

Special Option Code (Only Marked if Applicable)

#### Termination Pin Length

- 1 - .205 ± .020
- 2 - .255 ± .020
- 3 - .575 ± .020
- 4 - .935 ± .020
- 5 - .505 ± .020
- 6 - .390 ± .020
- 7 - .100 ± .010
- 8 - .300 ± .020
- 9 - .735 ± .020

#### Mounting Flange Variation

- 7 - Square Flange Mount, Threaded Fasteners Pressed in Place (4).

#### Contact Type

- A & D - Solder Pin for Use with Printed Circuit Boards or Flex Circuitry
- K - Solder Pin for Use with Printed Circuit Boards or Flex Circuitry with Solder Coat

#### Shell Keyway Position N, 6, 7, 8, 9 or 10

#### Contact Style "P" - Pin Contact, "S" - Socket Contact

#### Insert Arrangement See Page 5

#### Shell Finish

- A - Hard Anodized Aluminum Shell
- F - Cadmium over Nickel Plated Aluminum Shell with Clear Chromate Conversion with Resilient Contact Potting
- G - Cadmium over Nickel Plated Aluminum Shell with Clear Chromate Conversion
- H - Cadmium over Nickel Plated Aluminum Shell with Olive Drab Chromate Conversion with Resilient Contact Potting
- N - Nickel Plated Aluminum Shell
- W - Cadmium over Nickel Plated Aluminum Shell with Olive Drab Chromate Conversion

#### Shell Size 08, 10, 12, 14, 16, 18, 20, 22, 24

#### Series Designation Connector, Receptacle, Non-Removable Contact

- Consult Factory for Other Options -

# R0714 Series

## Flange Mount

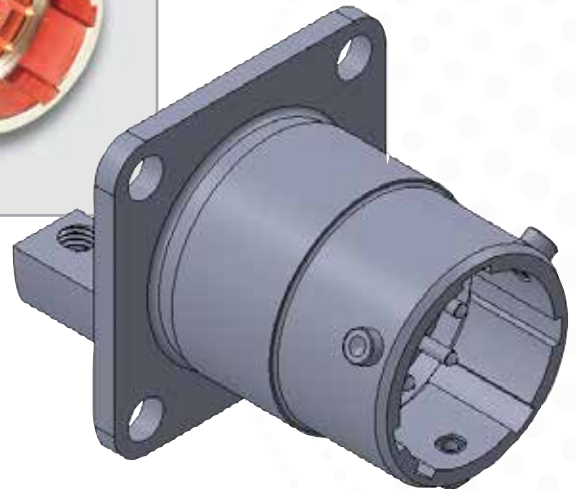
### Receptacles

The R0714 Series connectors are designed for termination to printed circuit boards, flex circuitry, or may be furnished with solder pin contacts.

The gold plated contacts are designed for ease of maintenance with insertion and removal accomplished through the front side of the connector eliminating the requirement to disassemble the entire connector from its mounting. The mating interface is compatible with MIL-DTL-26500 and MIL-DTL-83723/75, 176, 177, & 178 Type B Connectors. There are several mounting Flange variations as well as contact termination lengths as shown in the following figures. Consult factory for availability.

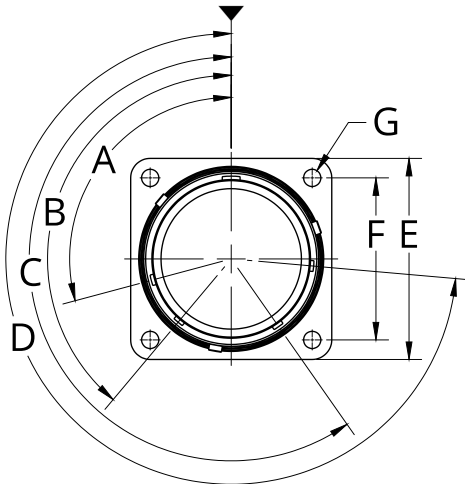


Not Shown Actual Size



## Dimensions

Master Key



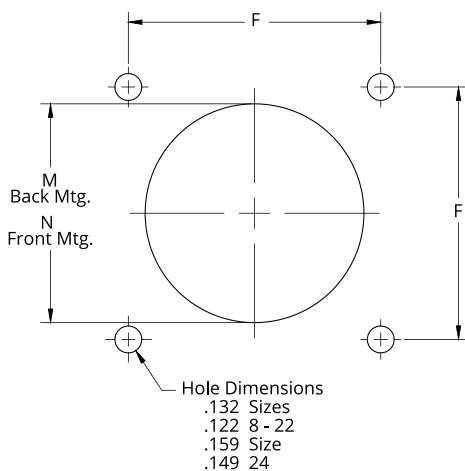
## Shell Polarity

Polarity	For Connectors Size 8 and 10				For Connectors Size 12, 14, 16, 18, 20, 22 and 24			
	A	B	C	D	A	B	C	D
Normal	105°	140°	215°	265°	105°	140°	215°	265°
6	102°	132°	248°	320°	18°	149°	192°	259°
7	80°	118°	230°	312°	92°	152°	222°	342°
8	35°	140°	205°	275°	84°	152°	204°	334°
9	64°	155°	234°	304°	24°	135°	199°	240°
10*	25°	115°	220°	270°	98°	152°	268°	338°

\* Not Available in Size 8 Connector

## Panel Mounting for Standard Flange

Hole Cut-out

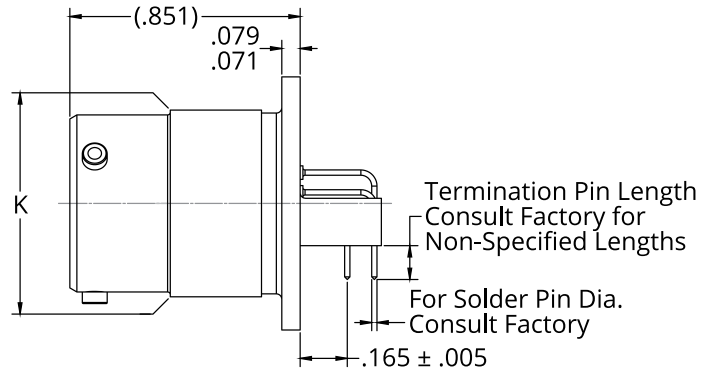
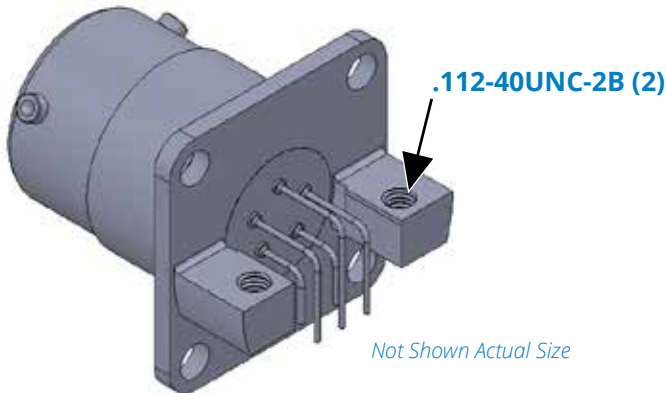


Shell Size	E ± .005	F ± .005	G Dia. 1/ + .000 - .009	K Dia. Max.	M Dia. Min.	N Dia. Min.
8	.812	.594	.125	.561	.620	.510
10	.937	.719	.125	.696	.748	.635
12	1.031	.812	.125	.875	.913	.750
14	1.125	.906	.125	.935	.980	.885
16	1.250	.969	.125	1.062	1.107	1.010
18	1.343	1.062	.125	1.187	1.209	1.072
20	1.437	1.156	.125	1.312	1.337	1.192
22	1.562	1.250	.125	1.437	1.452	1.322
24	1.703	1.375	.154	1.562	1.577	1.442

1/ Unless Specified Otherwise by Part Number Configuration

# Flange Mount

Receptacles



## How to Order

### rms Catalog Number

**R0714 10 A 05 P N A 3 1 - A**

- **Special Option Code (Only Marked if Applicable)**
- **Termination Pin Length**  
1 - .125 ± .020
- **Mounting Flange Variation**  
1 - Single Hole Mount with Jam Nut - Consult Factory  
3 - Square Flange Mount, Standard Thru Holes
- **Contact Type**  
A - Solder Pin Termination for Use with Printed Circuit Boards or Flex Circuitry - No Solder Coat  
B - Solder Pin Termination for Use with Printed Circuit Boards or Flex Circuitry - with Solder Coat
- **Shell Keyway Position** N, 6, 7, 8, 9 or 10
- **Contact Style** "P" - Pin Contact, "S" - Socket Contact
- **Insert Arrangement** See Page 5
- **Shell Finish**  
A - Hard Anodized Aluminum Shell  
B - Hard Anodized Aluminum Shell with Mounting Tabs, Chemical Film Coated  
G - Cadmium over Nickel Plated Aluminum Shell with Clear Chromate Conversion  
N - Nickel Plated Aluminum Shell  
W - Cadmium over Nickel Plated Aluminum Shell with Olive Drab Chromate Conversion
- **Shell Size** 08, 10, 12, 14, 16, 18, 20, 22, 24
- **Series Designation** Connector, Receptacle, Non-Removable Contact

- Consult Factory for Other Options -

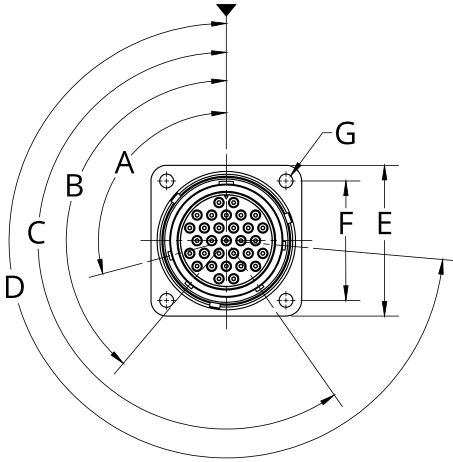
# R0715 Series

## Square Flange Bayonet or Threaded Receptacle

Receptacles

### Dimensions

Master Key



Not Shown Actual Size

### Shell Polarity

Polarity	For Connectors Size 8 and 10				For Connectors Size 12, 14, 16, 18, 20, 22, and 24			
	A	B	C	D	A	B	C	D
Normal	105°	140°	215°	265°	105°	140°	215°	265°
6	102°	132°	248°	320°	18°	149°	192°	259°
7	80°	118°	230°	312°	92°	152°	222°	342°
8	35°	140°	205°	275°	84°	152°	204°	334°
9	64°	155°	234°	304°	24°	135°	199°	240°
10*	25°	115°	220°	270°	98°	152°	268°	338°

\* Not available in size 8 connector

Shell Size	E ±.005	F ±.005	G Dia. +.000 -.009	H Dia. Max.	J Dia. +.003 -.000	K Thread	L Dia Min.	M Dia. Min.
8	.812	.594	.125	.561	.495	9/16-24 UNEF-2A	.510	.620
10	.937	.719	.125	.696	.620	11/16-24 UNEF-2A	.635	.748
12	1.031	.812	.125	.875	.743	7/8-20 UNEF-2A	.750	.913
14	1.125	.906	.125	.935	.869	15/16-20 UNEF-2A	.885	.980
16	1.250	.969	.125	1.062	.993	1 1/16-18 UNEF-2A	1.010	1.107
18	1.343	1.062	.125	1.187	1.056	1 3/16-18 UNEF-2A	1.072	1.209
20	1.437	1.156	.125	1.312	1.182	1 5/16-18 UNEF-2A	1.192	1.337
22	1.562	1.250	.125	1.437	1.305	1 7/16-18 UNEF-2A	1.322	1.452
24	1.703	1.375	.154	1.562	1.430	1 9/16-18 UNEF-2A	1.442	1.577

# Square Flange Bayonet or Threaded Receptacle

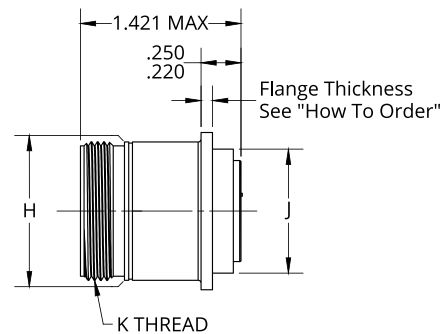
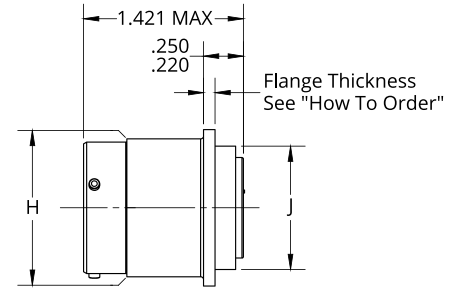
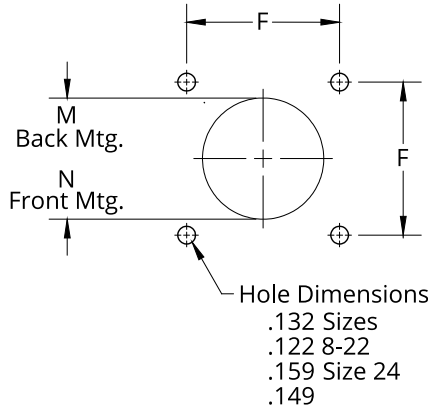
## Receptacles

The R0715 Series connectors are used in areas where space within an electrical box or device is limited. The flange has been moved to the rear. There are no provisions for rear accessory hardware.

The connectors meet the performance requirements of MIL-DTL-26500 Type B or T, Class R. They are designed to mate with standard MIL-DTL-26500 connectors or derivatives of MIL-DTL-26500.

### Panel Mounting

Hole Cut-out



## How to Order

### rms Catalog Number

**R0715 10 A B C 05 P N - 0**

0 - Less Contacts  
 2 - With Gold Plated Contacts

**Shell Keyway Position** N, 6, 7, 8, 9, or 10

#### Contact Style

P - Pin Contact  
 S - Socket Contact

**Insert Arrangement** See Page 5

#### Mounting Flange Thickness

C - .069 ± .003  
 D - .100 ± .005

#### Coupling Style

B - Bayonet Coupling  
 T - Threaded Coupling

**Class A** Hard anodized aluminum shell, color black.

**Class G** Cadmium with clear chromate conversion over electroless nickel plated aluminum shell.

**Class N** Electroless nickel plated aluminum shell.

**Class W** Cadmium with olive drab chromate conversion over electroless nickel plated aluminum shell.

**Class S** Passivated stainless steel shell.

**Shell Size** 8, 10, 12, 14, 16, 18, 20, 22, 24

**Series Designation** Connector, Receptacle, Special Flange Mount

Consult Factory for  
 Other Options

# R0726 Series

## Threaded Plug Self-locking

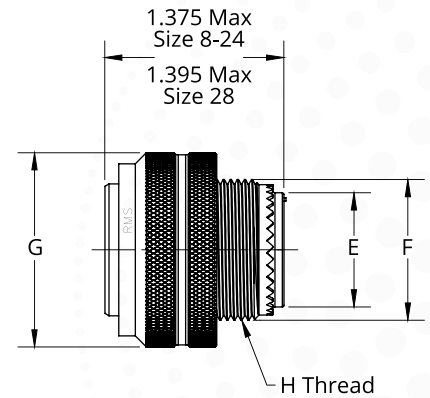
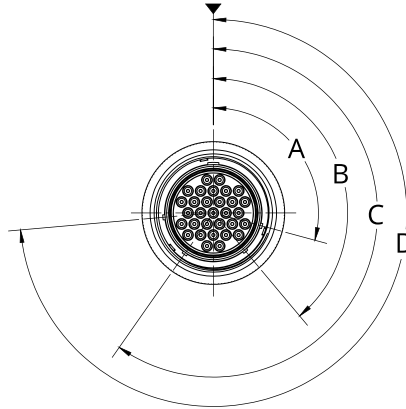
R0726XXXXXX



Not Shown Actual Size

### Dimensions

Master Key



### Shell Polarity

Polarity	For Connectors Size 8 and 10				For Connectors Size 12, 14, 16, 18, 20, 22, 24 and 28			
	A	B	C	D	A	B	C	D
Normal	105°	140°	215°	265°	105°	140°	215°	265°
6	102°	132°	248°	320°	18°	149°	192°	259°
7	80°	118°	230°	312°	92°	152°	222°	342°
8	35°	140°	205°	275°	84°	152°	204°	334°
9	64°	155°	234°	304°	24°	135°	199°	240°
10*	25°	115°	220°	270°	98°	152°	268°	338°

\* Not available in size 8 connector

Shell Size	E Dia. Max.	F Dia. Max.	G Dia. Max.		H Thread
			Class A, C, W	Class B	
8	.311	.500	.837	.821	1/2-20UNF-2A
10	.376	.625	.972	.972	5/8-24UNEF-2A
12	.552	.750	1.080	1.080	3/4-20UNEF-2A
14	.618	.875	1.230	1.230	7/8-20UNEF-2A
16	.763	1.000	1.355	1.355	1-20UNEF-2A
18	.870	1.062	1.470	1.470	1 1/16-18UNEF-2A
20	.991	1.187	1.067	1.607	1 3/16-18UNEF-2A
22	1.111	1.312	1.735	1.735	1 5/16-18UNEF-2A
24	1.240	1.437	1.858	1.858	1 7/16-18UNEF-2A
28	1.490	1.748	2.113	2.113	1 3/4-18UNS-2A

# Threaded Plug Self-locking

R0726XXXXXX

The R0726 Series connectors meet the performance requirements of MIL-DTL-2650 Class R, Type T; MS24266 Type T; and Boeing Standard BACC63DY.

The connector is thread coupled with rear insertion, front release contacts. The connector can be ordered either with or without gold plated contacts by using the order code associated with the rms number.

For contact, seal plug, and tooling information see page 4.

## How to Order

### rms Catalog Number

**R0726 10 A 05 P N - 0 00**

00 - Less Cable Clamp  
01 - With Right Angle Cable Clamp  
02 - With Straight Cable Clamp

0 - Less Contacts  
2 - With Gold Plated Contacts

**Shell Keyway Position** N, 6, 7, 8, 9, or 10

#### Contact Style

P - Pin Contact  
S - Socket Contact

**Insert Arrangement** See Page 5

**Class A** Hard anodized aluminum shell and coupling ring, color black. Connectors have fluorosilicone insert and EPDM grommet material. Socket style connectors have a hard face socket insert. Qualified to BACC63DY. Temperature exposure shall be 125° C maximum.

**Class B** Passivated stainless steel shell and coupling ring. The shell has a ground spring. Connectors have fluorosilicone insert and EPDM grommet material. Socket style connectors have a hard face socket insert. Qualified to BACC63DY. Temperature exposure shall be 125° C maximum.

**Class C** Cadmium with clear chromate conversion over electroless nickel plated aluminum shell. The shell has a ground spring. The coupling ring shall be hard anodized, color black. Connectors have fluorosilicone insert and EPDM grommet material. Socket style connectors have a hard face socket insert. Qualified to BACC63DY. Temperature exposure shall be 125° C maximum.

**Class W** Cadmium with olive drab chromate conversion over electroless nickel plated aluminum shell. The shell has a ground spring. The coupling ring shall be hard anodized, color black. Connectors have fluorosilicone insert and EPDM grommet material. Socket style connectors have a hard face socket insert. Temperature exposure shall be 125° C maximum.

**Shell Size** 8, 10, 12, 14, 16, 18, 20, 22, 24, 28

**Series Designation** Connector, Plug, Threaded Coupling, Self-locking, Vibration and Skydrol Resistant

### Boeing Part Number (Reference)

**BACC63DY 10 A 5 P N H**

Blank - With Contacts and Seal Plugs  
H - Without Contacts and Seal Plugs

**Shell Keyway Position** N, 6, 7, 8, 9, or 10

#### Contact Style

P - Pin Contact  
S - Socket Contact

**Insert Arrangement** See Page 5

**A** - Anodized aluminum with rear accessory teeth per MS3155

**B** - Stainless steel with rear accessory teeth per MS3155 and grounding spring

**C** - Cadmium plated aluminum with rear accessory teeth per MS3155 and grounding spring

**Shell Size** 8, 10, 12, 14, 16, 18, 20, 22, 24, 28

**Series Designation** Plug, Threaded Coupling, Self-locking, Vibration and Skydrol Resistant

Consult Factory for  
Other Options

# R0727 Series

## Threaded Receptacle

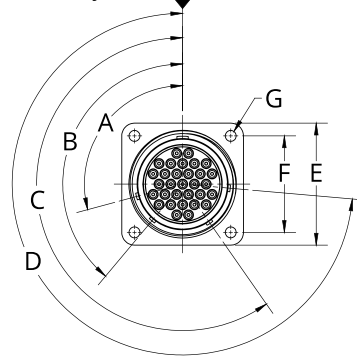
R0727XXXXXX



Not Shown Actual Size

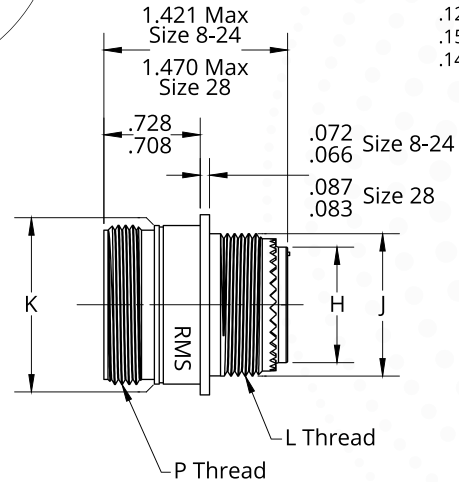
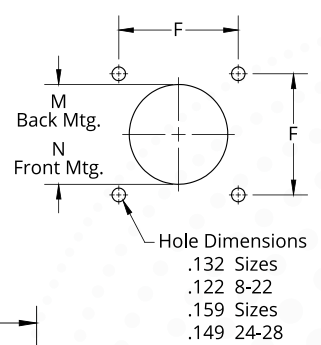
### Dimensions

Master Key



### Panel Mounting

Hole Cut-out



### Shell Polarity

Polarity	For Connectors Size 8 and 10				For Connectors Size 12, 14, 16, 18, 20, 22, 24 and 28			
	A	B	C	D	A	B	C	D
Normal	105°	140°	215°	265°	105°	140°	215°	265°
6	102°	132°	248°	320°	18°	149°	192°	259°
7	80°	118°	230°	312°	92°	152°	222°	342°
8	35°	140°	205°	275°	84°	152°	204°	334°
9	64°	155°	234°	304°	24°	135°	199°	240°
10*	25°	115°	220°	270°	98°	152°	268°	338°

\* Not available in size 8 connector

Shell Size	E ±.005	F ±.005	G Dia. +.000 -.009	H Dia. Max.	J Dia. Max.	K Dia. Max.	L Thread	M Dia. Min.	N Dia. Min.	P Thread
8	.812	.594	.125	.311	.500	.561	1/2-20UNF-2A	.620	.510	9/16-24UNEF-2A
10	.937	.719	.125	.376	.625	.696	5/8-24UNEF-2A	.748	.635	11/16-24UNEF-2A
12	1.031	.812	.125	.552	.750	.875	3/4-20UNEF-2A	.913	.760	7/8-20UNEF-2A
14	1.125	.906	.125	.618	.875	.935	7/8-20UNEF-2A	.980	.885	15/16-20UNEF-2A
16	1.250	.969	.125	.763	1.000	1.062	1-20UNEF-2A	1.107	1.010	1 1/16-18UNEF-2A
18	1.343	1.062	.125	.870	1.062	1.187	1 1/16-18UNEF-2A	1.209	1.072	1 3/16-18UNEF-2A
20	1.437	1.156	.125	.991	1.187	1.312	1 3/16-18UNEF-2A	1.337	1.192	1 5/16-18UNEF-2A
22	1.562	1.250	.125	1.111	1.312	1.437	1 5/16-18UNEF-2A	1.452	1.322	1 7/16-18UNEF-2A
24	1.703	1.375	.154	1.240	1.437	1.562	1 7/16-18UNEF-2A	1.577	1.442	1 9/16-18UNEF-2A
28	2.000	1.562	.154	1.490	1.750	1.812	1 3/4-18UNS-2A	1.827	1.760	1 13/16-16UN-2A



# Threaded Receptacle

R0727XXXXXX

The R0727 Series connectors meet the performance requirements of MIL-DTL-26500 Class R, Type T; MS24264, Type T; and Boeing Standard BACC63DW.

The connector is thread coupled with rear insertion, front release contacts. The connector can be ordered either with or without gold plated contacts by using the order code associated with the rms number.

For contact, seal plug, and tooling information see page 4.

# How to Order

## rms Catalog Number

**R0727 10 A 05 P N - 0 00**

- 00 - Less Cable Clamp
- 01 - With Right Angle Cable Clamp
- 02 - With Straight Cable Clamp

- 0 - Less Contacts
- 2 - With Gold Plated Contacts

**Shell Keyway Position** N, 6, 7, 8, 9, or 10

### Contact Style

- P - Pin Contact
- S - Socket Contact

**Insert Arrangement** See Page 5

**Class A** Hard anodized aluminum shell, color black. Flange mount per MS24264. Connectors have fluorosilicone insert and EPDM grommet material. Socket style connectors have a hard face socket insert. Qualified to BACC63BVDW. Temperature exposure shall be 125° C maximum.

**Class B** Passivated stainless steel shell. Flange mount per MS24264. Connectors have fluorosilicone insert and EPDM grommet material. Socket style connectors have a hard face socket insert. Qualified to BACC63DW. Temperature exposure shall be 125° C maximum.

**Class C** Cadmium with clear chromate conversion over electroless nickel plated aluminum shell. Flange mount per MS24264. Connectors have fluorosilicone insert and EPDM grommet material. Socket style connectors have a hard face socket insert. Qualified to BACC63DW. Temperature exposure shall be 125° C maximum.

**Class W** Cadmium with olive drab chromate conversion over electroless nickel plated aluminum shell. Flange mount per MS24264. Connectors have fluorosilicone insert and EPDM grommet material. Socket style connectors have a hard face socket insert. Temperature exposure shall be 125° C maximum.

**Shell Size** 8, 10, 12, 14, 16, 18, 20, 22, 24, 28

**Series Designation** Connector, Receptacle, Threaded Coupling, Vibration and Skydrol Resistant

## Boeing Part Number (Reference)

**BACC63DW 10 A 5 P N H**

- Blank - With Contacts and Seal Plugs
- H - Without Contacts and Seal Plugs

**Shell Keyway Position** N, 6, 7, 8, 9, or 10

### Contact Style

- P - Pin Contact
- S - Socket Contact

**Insert Arrangement** See Page 5

**A** - Anodized aluminum with rear accessory teeth per MS3155

**B** - Stainless steel with rear accessory teeth per MS3155

**C** - Cadmium plated aluminum with rear accessory teeth per MS3155

**Shell Size** 8, 10, 12, 14, 16, 18, 20, 22, 24, 28

**Series Designation** Connector, Electrical, Receptacle, Flange Mount, Threaded Coupling, Vibration and Skydrol Resistant

Consult Factory for  
Other Options

## Order Information:

To order any of the standard series of connectors listed in this catalog, or for information about custom designed connectors, contact the rms Sales office at:



A Cretex Aerospace Company  
8600 Evergreen Boulevard  
Minneapolis, Minnesota USA 55433-6036

Phone: (763) 786-1520  
Toll-free: (800) 373-1520  
E-mail: rmsconnectorscs@machine.com

## Distribution

See rms website ([www.rmsconnectors.com](http://www.rmsconnectors.com)) for authorized distributors.

## About rms

rms began operation in 1967 as a precision machining company that found its niche in the manufacture of complex, difficult and unusual parts and assemblies for the Medical, Computer, Defense and Aerospace industries.

Several years later, rms started to work with Boeing Commercial Airplane in the manufacture of critical application, high reliability electrical connects for the commercial aerospace industry. Precision machining and assembly required by the connector industry was a natural extension of rms' expertise in the machining of ultra-precision components.

Today, the rms Electrical Connector Division has over 100 standard series of connectors delivered world-wide. We take pride in manufacturing one of the highest quality electrical connectors on the market today. And we look forward to being at the leading edge of connector design and development in the many years to come.

## Standard and Custom Design

This catalog was developed to introduce you to the entire series of the standard electrical connectors produced at rms. Our manufacturing facility is geared to meeting short lead-times and to providing quick delivery of your connectors.

For custom connectors, our engineering staff is highly experienced to assist you in the design and manufacture of non-standard items.

From concept to completion, rms has proven over and over that we're able to meet your critical requirements for any type of electrical connector desired.

## Quality Assurance

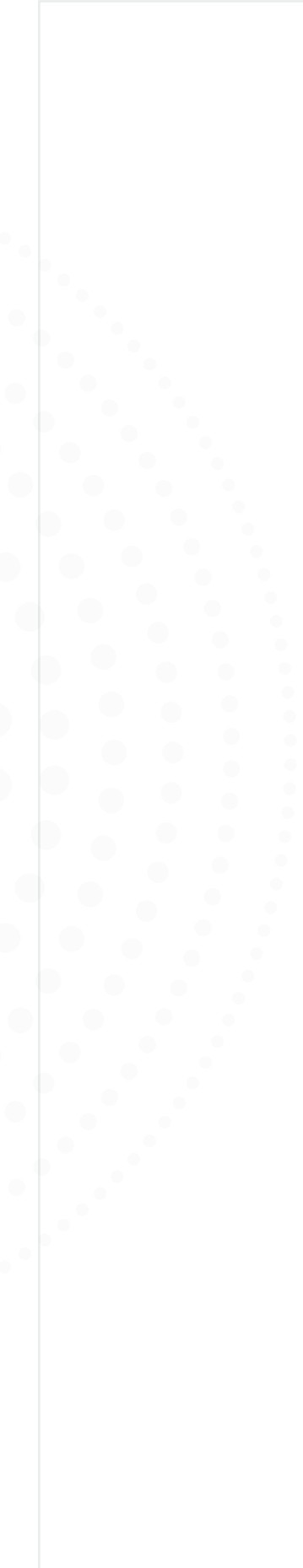
rms' Quality Program is sophisticated and exacting; ISO 9001, AS9100, ISO 13485, FAA approved and FDA registered, designed to meet the most stringent needs of the Connector industry. Our objective is Zero Defects. From SPC to sophisticated electrical testing equipment, you can be assured that every connector you receive from rms has been manufactured and inspected to meet your standards...because first of all, they've met our standards.

## Facilities

In early 1992, the company's 25th Anniversary year, rms moved to a newly constructed 80,000 square foot state-of-the-art facility which was designed and equipped to meet the exacting specifications for the connector industry. rms has continued to grow and today occupies over 210,000 ft<sup>2</sup> of manufacturing space. We are constantly adopting the latest technology and machining methods available to stay ahead of the intricate demands of the Aerospace industry.

## World-Class Electrical Connectors From rms

Located in Minneapolis, Minnesota, rms has delivered quality electrical connectors to a wide range of customers world-wide. With fast turn-around and unbeatable service, we know you'll come to expect the best from rms.





Military and Commercial Aviation  
Connectors for Demanding Environments  
Threaded and Bayonet  
MIL - DTL - 26500 Series



8600 Evergreen Blvd.  
Minneapolis, MN 55433

763.786.1520  
800.373.1520

[rmsconnectorscs@machine.com](mailto:rmsconnectorscs@machine.com)  
[rmsconnectors.com](http://rmsconnectors.com)