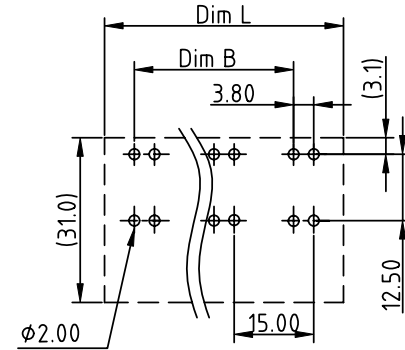
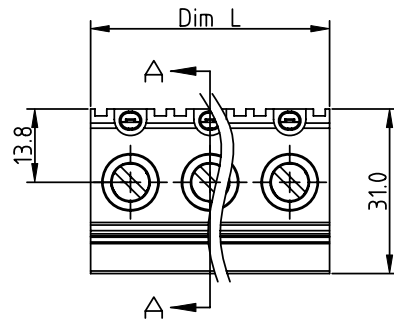
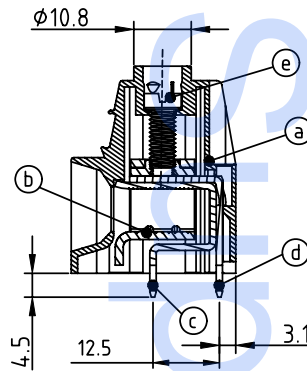
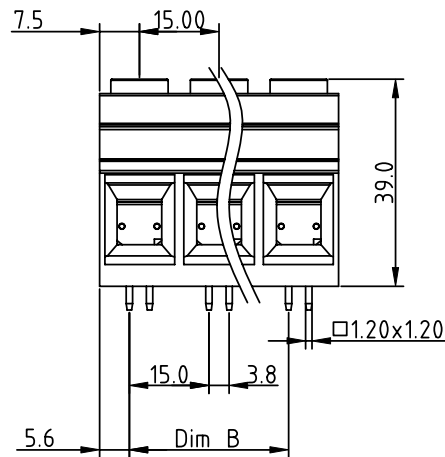


PRODUCT NUMBER	PITCH
E1xxC1x300J0G	15.00 mm



RECOMMENDED P.C.B LAYOUT  
TOP VIEW



SECTION A-A

Material:

- ltem@ Terminal housing :Thermoplastic (UL 94V-0)
- ltem@ Clamp : Steel Stamping , Zinc plated
- ltem@ Solder pin1 : Copper , Tin plated
- ltem@ Solder pin2 : Copper , Tin plated
- ltem@ Terminal screw : Zinc plating"-slot type

Electrical cULus IEC

- Voltage rating: 600V 1000V
- Current rating: 125A 125A
- Wire range: 35mm<sup>2</sup>
- Solid wire(AWG): 2-20
- Stranded wire(AWG): 2-20
- Torque(Lb-In): 36.5
- Screw: M5
- Wire strip length: 12-15mm
- Withstanding Voltage: 2.2KV 8KV
- Operating temperature: -40° C to +115° C
- Soldering temperature: 260° C±5° C/5 Sec
- Safety Approval: cULus

PART NO.: EI xx C 1 x 3 00J0 G

DIMENSION

Dim L	Nx15.0
Dim B	(N-1)x15.0

N=Number of poles

Poles	Tolerance
2p~3p	±0.30
4p~5p	±0.50
6p~10p	±0.80

- |              |                     |                                                |
|--------------|---------------------|------------------------------------------------|
| Solid block  | 0 Black (RAL9005)   | RoHS compliant<br>(lead<4%)<br>In copper Alloy |
| No. of poles | 2 Red (RAL3001/D)   |                                                |
| 02 2 poles   | 3 Orange(RAL2011/P) |                                                |
| 03 3 poles   | 4 Yellow(RAL1018/A) |                                                |
| ...          | 5 Green(RAL6018/T)  |                                                |
| 10 10 poles  | 6 Blue (RAL5015/A)  |                                                |
|              | 8 Grey(RAL7035/D)   |                                                |
|              | 9 White(RAL1102)    |                                                |
|              | C Green(RAL6018/U)  |                                                |

mat'l. code		surface ASME Y14.5	tolerance ASME Y14.5	projection	product family	
ltr	ecn no	dr	date		TERMINAL BLOCK	
tolerances unless otherwise specified				MM	title	
angles	$\phi$	X.±0.5		scale	TERMINAL BLOCK	
LE	X.X±0.3		FCI		Rising CLAMP,180D WIRE INLET,SOLID BLOCK	
X*±1*	X.XX±0.1				dwg no	sheet 1 of 1
dr	EVIN ZHONG	041514		FCI	E1xxC1x300J0G	A4
enr	EVIN ZHONG	041514			type	CUSTOMER Drawing
chr	HANKE FENG	041514				
appd	SHI JUN	041514				
sheet index	revision	A				
	sheet	1				